



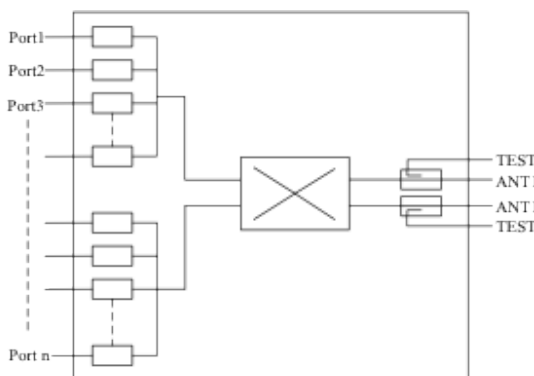
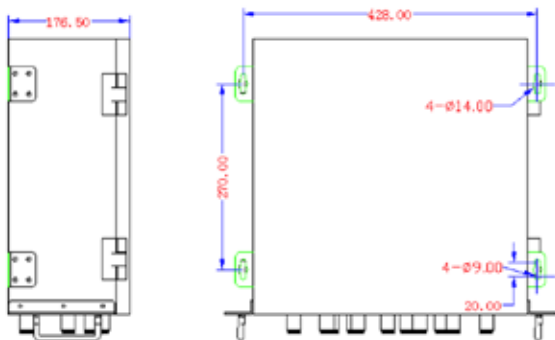
8 Port POI Duplexer [600-2700 MHz]

DESCRIPTION:

POI(Point of Interface) generally used between the source signal and the DAS to combine multiple bands or carriers onto one system for distribution. Features low insertion loss and test ports for each output that could also be used as a -10 dB signal that can also be used for distribution of the combined signals.

General Specifications

Port	Frequency Band	Band Name
1	763~775 & 793~805	700 PS
2	698~757 & 776~787	700 LTE
3	806~824 & 851~869	800 PS
4	824~849 & 869~896	850 Cell
5	1850~1995	PCS
6	1710~1755 & 2110~2155	AWS
7	2496~2690	EBS
8	600~696	600
9	Test Port 1	-10 dB from Antenna Port
10	Antenna 1	
11	Test Port 2	-10 dB from Antenna Port
12	Antenna 2	



Electrical Specifications

Intermodulation (dBc) +43 dBm X 2 carriers IM3	≤ -155
Insertion Loss (dB)	≤ 5.5
Isolation between Ports (dB)	≥ 20
VSWR	≤ 1.3:1 (Port1-Port8)
Power Rating (W)	200
Impedance (Ω)	50

Mechanical Specifications

Connector Type	4.3/10 Female
Dimensions In (mm)	15.75 X 15.75 X 6.95 (400 X 400 X 176.5)
Net Weight lbs (Kg)	17.64 (8)
Temperature Range °F (°C)	-22~167 (-30~75)
Environmental	IP64