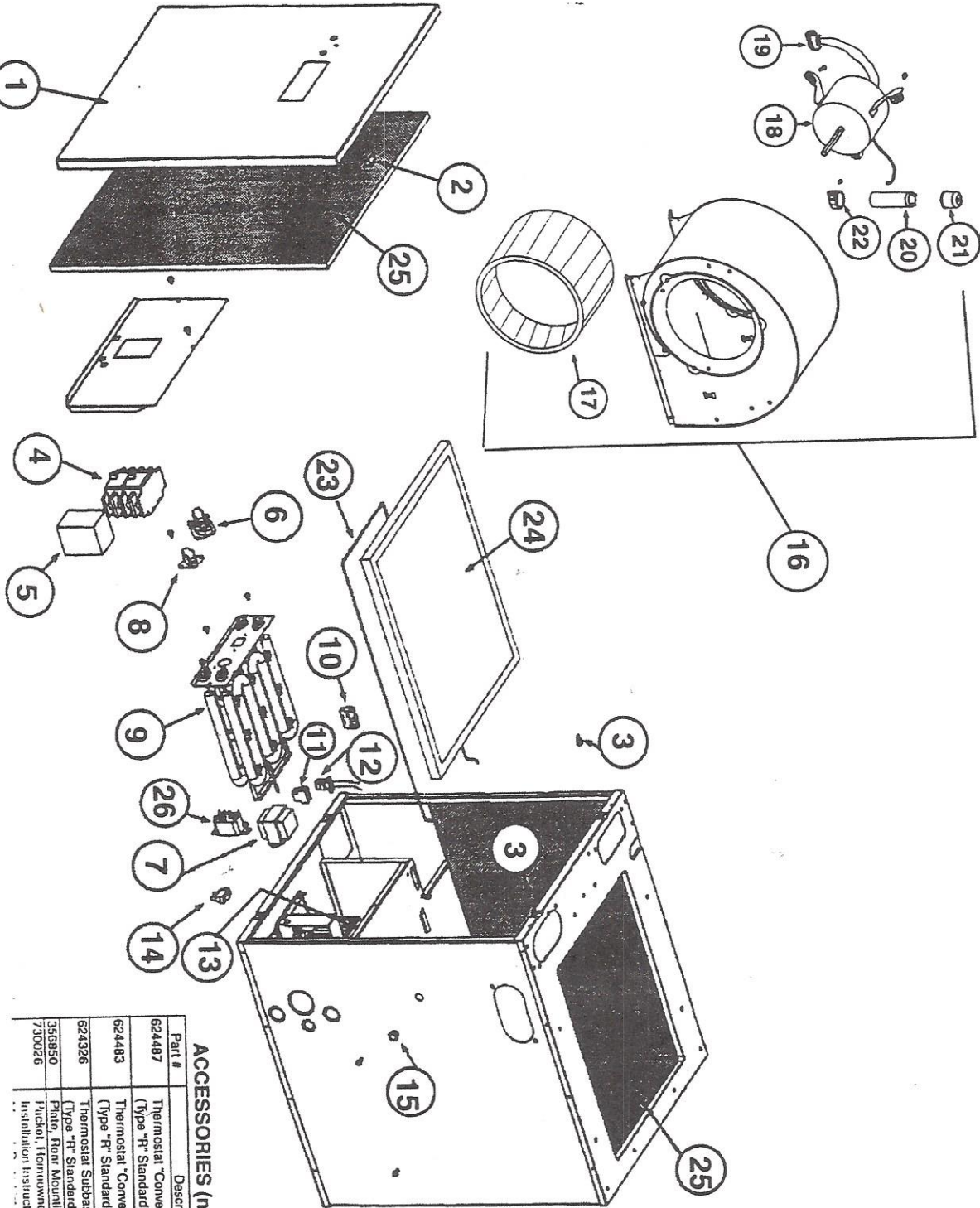


REPLACEMENT PARTS LIST

Model E1E() Series

E1EH Series (with two speed blower)
E1EB Series (with multi-speed blower)
Models -010, -012, -015, -017, -020, -023



ACCESSORIES (not shown)

Part #	Description
624487	Thermostat "Convertible" Heating (Type "R" Standard) Intertherm Brand
624483	Thermostat "Convertible" Heating (Type "R" Standard) Miller Brand
624326	Thermostat Subbase, Air Conditioning (Type "R" Standard)
356950	Plate, Rear Mounting, optional
730026	Fuelco, Thermoworm's Inclusion: Installation Instructions, Owner's

EIE

Item No.	Part No.	Description	240v Single Phase					
			010	012	015	017	020	023
1	902817	Panel Door, Gray (Specify Brand) - includes insulation	1	1	1	1	1	1
2	668420	Receptacle, Latch	2	2	2	2	2	2
3	668905	Strike, Latch	4	4	4	4	4	4
4	632249	Circuit Breaker, 60A, 2 Pole	1	2	2	2	2	2
5	913874	Single Circuit Adaptor Kit (optional on all but 012 models)	n/a	1				
6	621381	Sequencer, 2-Pole Aux Timing					1	1
	621383	Sequencer, 1-Pole Aux Timing			1	1		
	621596	Sequencer, 2-Pole Blower Timing	1	1	1	1	1	1
7	621592	Transformer, 30 VA	1	1	1	1	1	1
8	626428	Limit, 2-Pole	1	1	1	1	2	2
	626429	Limit, 1-Pole			1	1		
9	902818	Element Assembly 5.0kw @ 240v			1 btm*			
	902819	Element Assembly 5.2kw @ 240v						
	902820	Element Assembly 5.4kw @ 240v				1 btm*		
	902821	Element Assembly 10.0kw @ 240v	1 top*		1 top*		2	1 btm*
	902822	Element Assembly 10.4kw @ 240v						
	902823	Element Assembly 10.8kw @ 240v				1 top*		
	902824	Element Assembly 11.6kw @ 240v		1 top*				1 top*
10	632275	Connector, Cap / 6-pin inline	1	1	1	1	1	1
11	631728	Connector, Cap / 6-pin matrix	1	1	1	1	1	1
12	631724	Connector, Plug / 6-pin matrix	1	1	1	1	1	1
13	632235	Lug, Ground	1	1	1	1	1	1
14	631677	Switch, SPDT (ON/AUTO)	1	1	1	1	1	1
15	631781	Bushing	1	1	1	1	1	1
16	497470	Blower, 2 Speed; (USE p/n 497750)						
	497750	Blower, 2 Speed (includes item #'s 17-22); 10 x 7 wheel	1	1	1	1	1	1
	902805	Blower, Multi-Speed/240v (includes item #'s 17 - 22); optional in the E1EH models, standard in the E1EB models						
17	667252	Wheel, Blower (10 x 7)	1	1	1	1	1	1
18	902512	Motor, 1/4 HP, 2 Speed (AO Smith p/n F42CO1A78) (9 x 7 wheel)						
	902890	Motor, 1/4 HP, 3 Speed (GE p/n 5KCP39HGR272S) (10 x 7 wheel)	1	1	1	1	1	1
	902889	Motor, 1/4 HP, 2 Speed (AO Smith p/n F42C42A78) (10 x 7 wheel)						
	901838	Motor, 1/3 HP, used in 902805 multi-speed; p/n 620810 (10 x 7 wheel)						
19	632274	Connector, Plug / 6-pin inline	1	1	1	1	1	1
20	621434	Capacitor, 7.5 MFD 370v	1	1	1	1	1	1
	621435	Capacitor, 10.0 MFD 370v (Optional)						
21	632232	Boot, Capacitor	1	1	1	1	1	1
22	606228	Strap, Capacitor	1	1	1	1	1	1
23	669031	Filter Retainer	1	1	1	1	1	1
24	668934	Filter	1	1	1	1	1	1
25	902807	Insulation Kit: optional in the E1EH models, standard in the E1EB models	1	1	1	1	1	1
26	620537	Blower Relay: used in E1EB models only	1	1	1	1	1	1
27	632229	Circuit Breaker Close-off (not shown)	2					

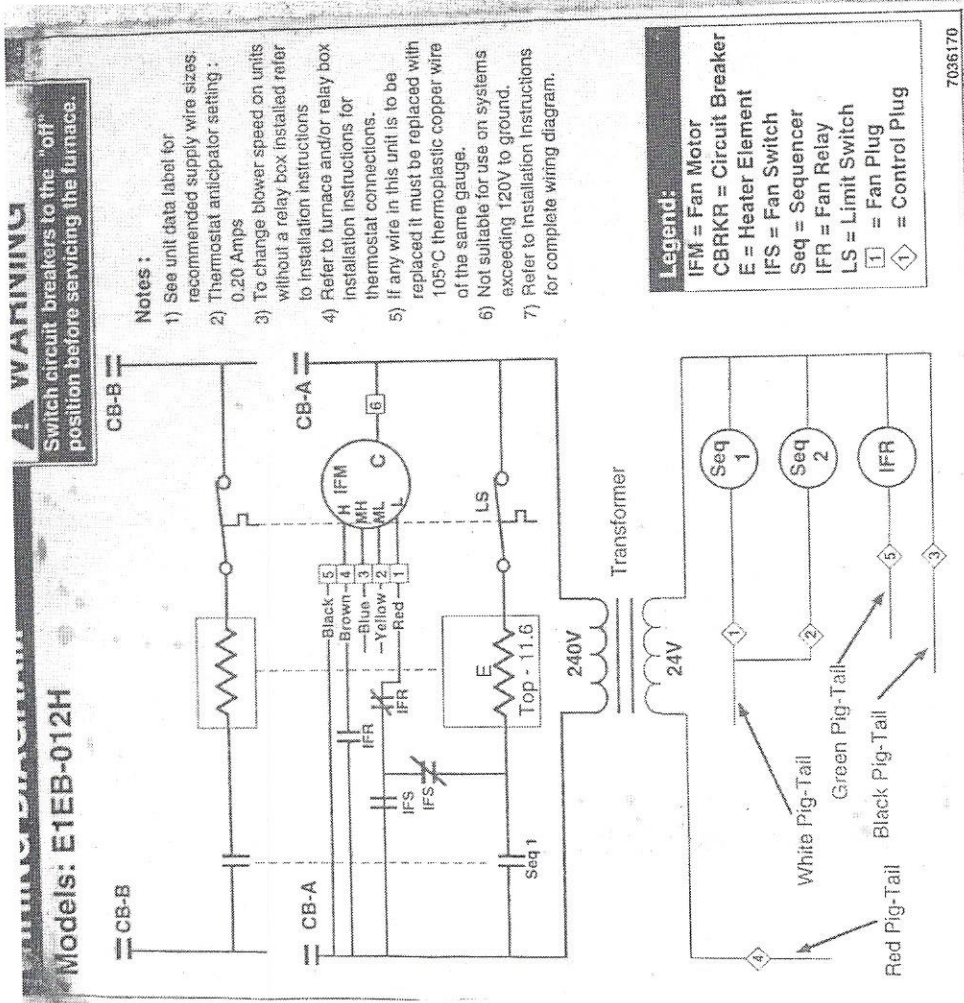
* top = top element in specified unit in the position pictured;
btm = bottom element in specified unit in the position pictured

7073480

Specifications and illustrations subject to change without notice and without incurring obligations. Printed in U.S.A. (06/95)

E1EB-012HA

Should also work for 9 E1EB-010HA



One sequencer is 9 2-pole limit.

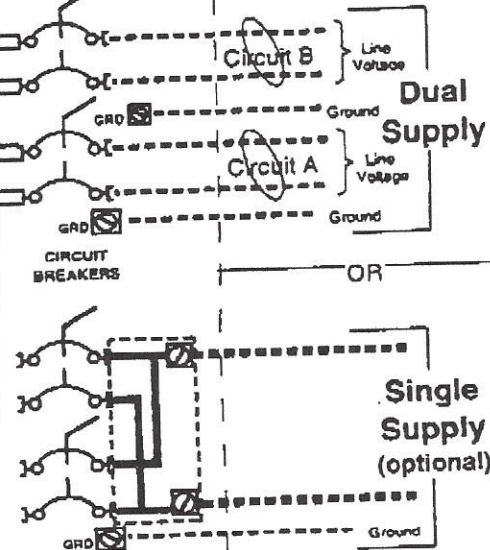
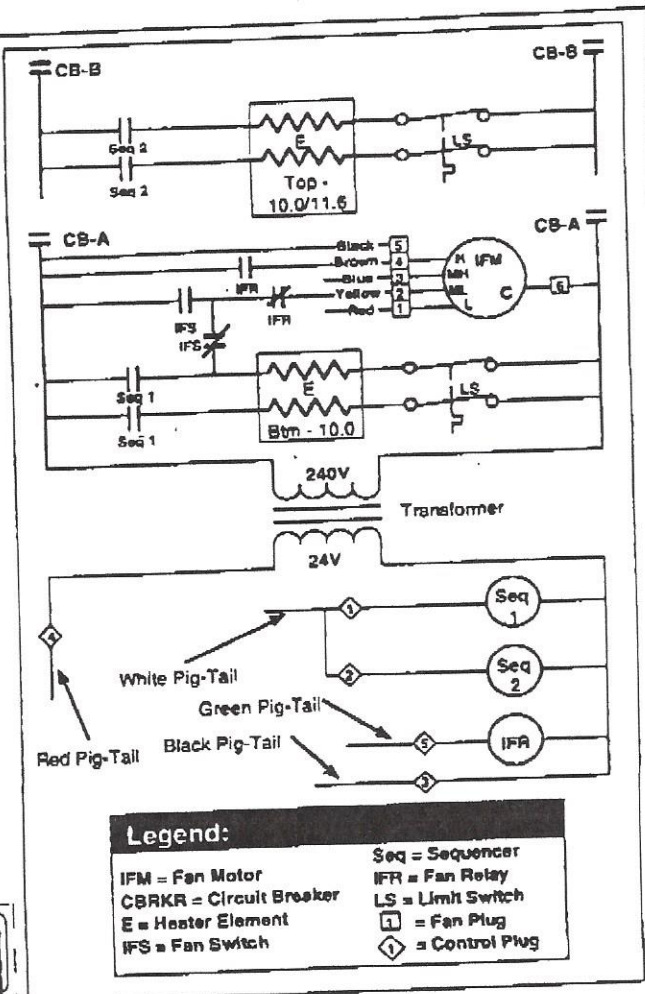
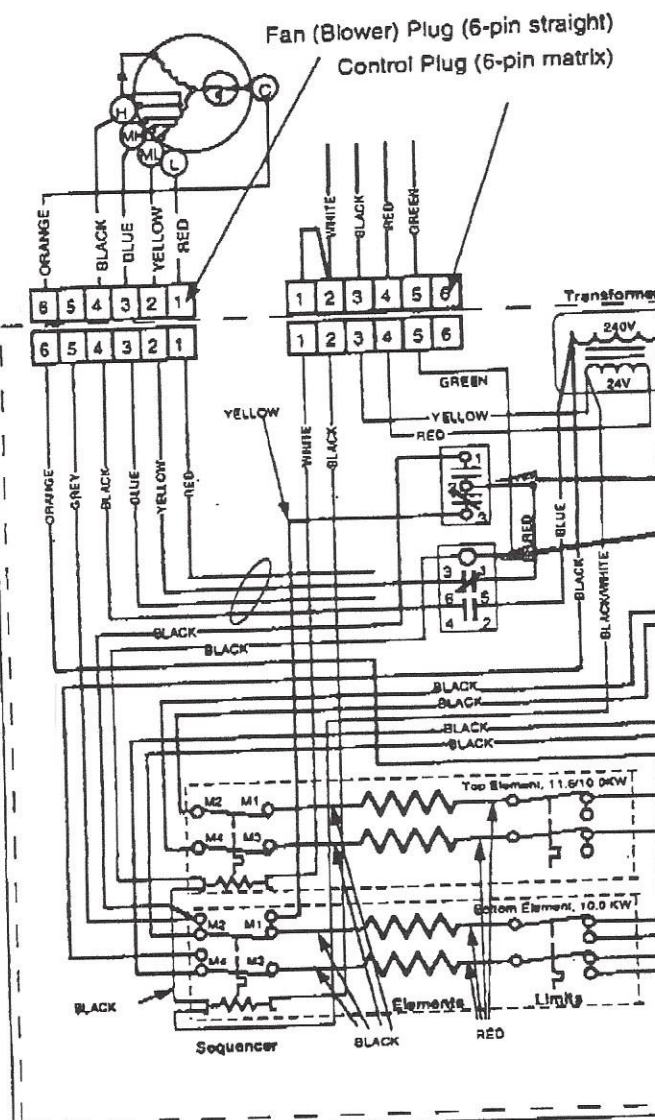
Models: E1EB-020H, 023H

WARNING

Switch circuit breakers to the "off" position before servicing the furnace.

NOTES:

- 1) See unit data label for recommended supply wire sizes.
- 2) Thermostat anticipator setting : 0.40 Amps
- 3) To change blower speed on units without a relay box installed refer to installation instructions
- 4) Refer to furnace and/or relay box installation instructions for thermostat connections.
- 5) If any wire in this unit is to be replaced it must be replaced with 105°C thermoplastic copper wire of the same gauge.
- 6) Not suitable for use on systems exceeding 120V to ground.



Now

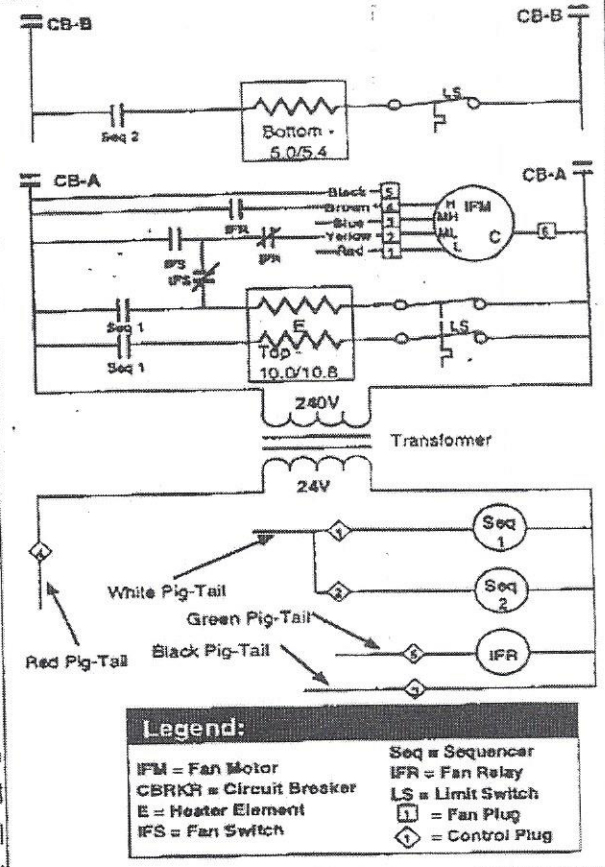
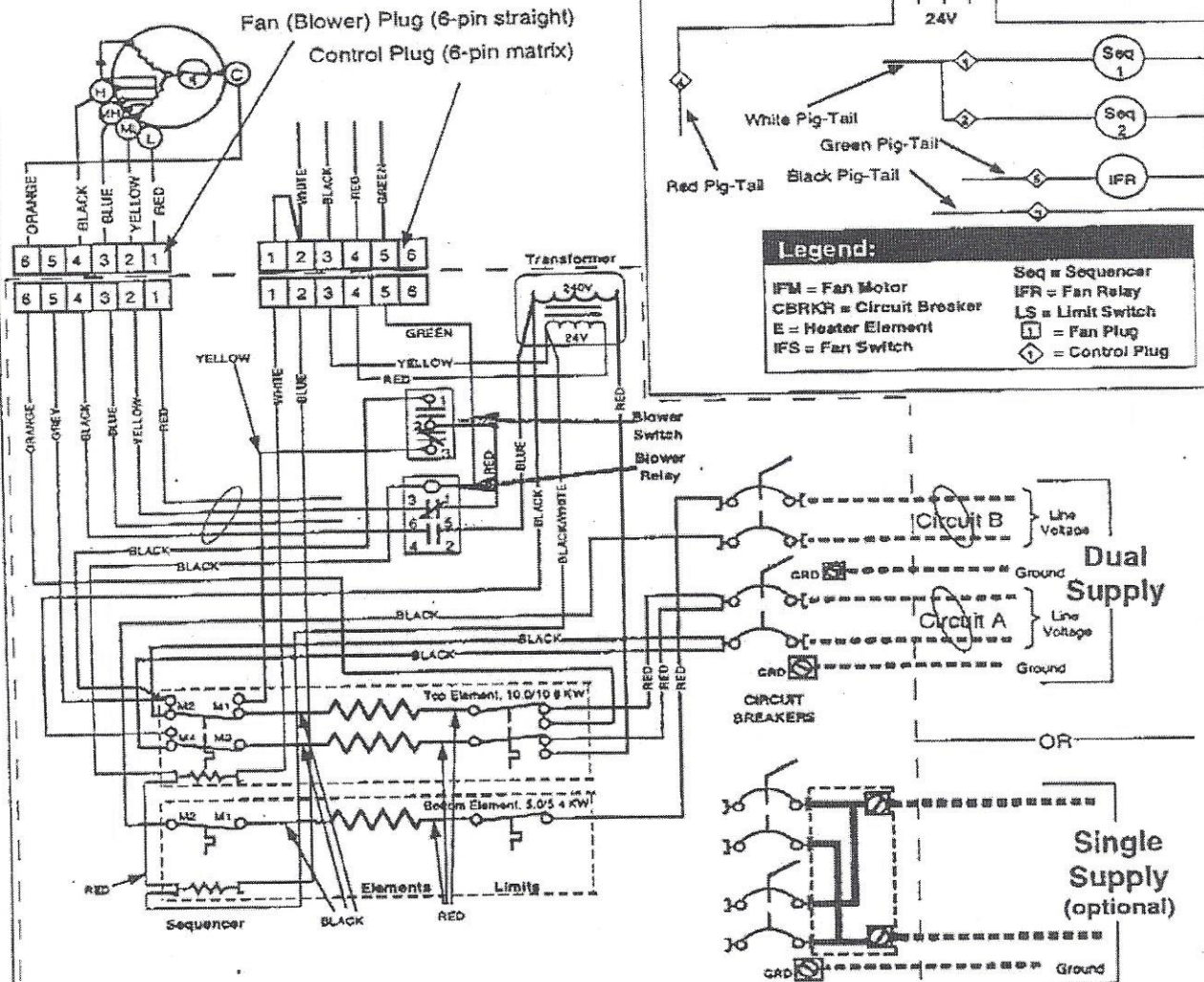
Models: E1EB-015H, 017H

WARNING

Switch circuit breakers to the "off" position before servicing the furnace.

NOTES:

- 1) See unit data label for recommended supply wire sizes.
- 2) Thermostat anticipator setting : 0.40 Amps
- 3) To change blower speed on units without a relay box installed refer to installation instructions
- 4) Refer to furnace and/or relay box installation instructions for thermostat connections.
- 5) If any wire in this unit is to be replaced it must be replaced with 105°C thermoplastic copper wire of the same gauge.
- 6) Not suitable for use on systems exceeding 120V to ground.



Legend:

IFM = Fan Motor	Seq = Sequencer
CBRKR = Circuit Breaker	IFR = Fan Relay
E = Heater Element	LS = Limit Switch
IFS = Fan Switch	1 = Fan Plug
	◇ = Control Plug

