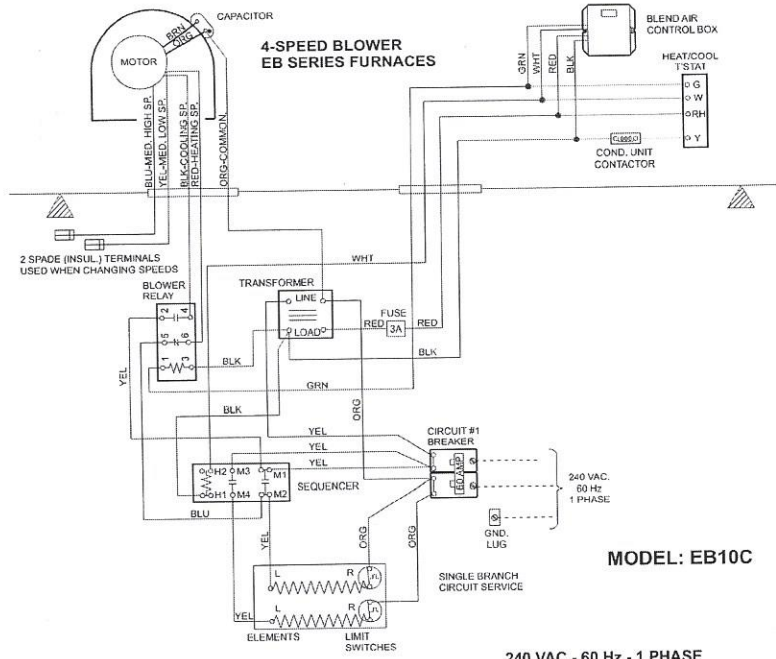


SECTION VII: WIRING DIAGRAMS



MODEL: EB10C

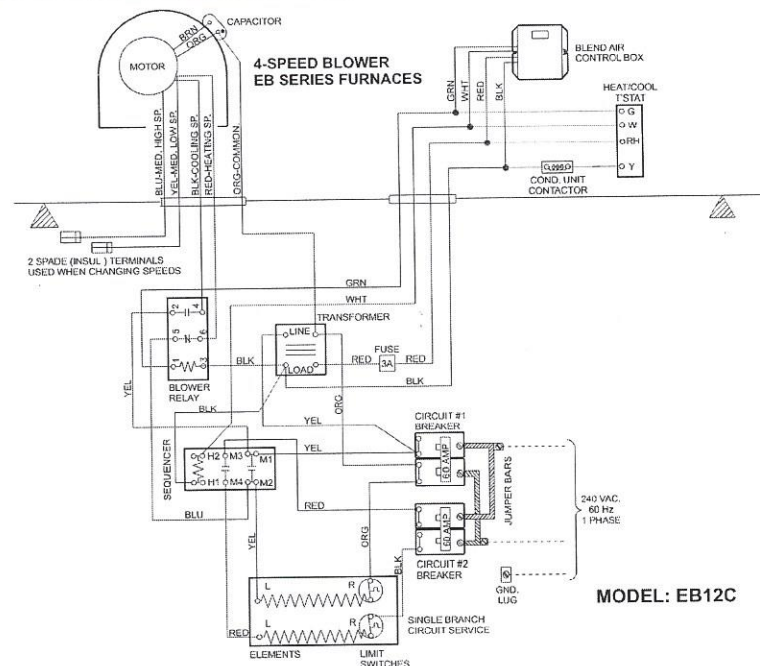
NOTE: IF ANY OF THE ORIGINAL WIRE SUPPLIED WITH THIS UNIT MUST BE REPLACED. IT MUST BE REPLACED WITH TYPE 105°C THERMOPLASTIC OR ITS EQUIVALENT. FACTORY WIRING SHOWN SOLID. FIELD WIRING SHOWN BROKEN.

WIRING MUST CONFORM TO LOCAL CODES APPROVED FOR CU CONDUCTORS ONLY.

240 VAC - 60 Hz - 1 PHASE

D.O.E. OUTPUT CAPACITY - BTU	34,000
MAX. MOTOR-FLA	4.0
SINGLE BRANCH CIRCUIT SERVICE	2 LEADS + 1 GROUND
NOMINAL CIRCUIT LOAD-AMPS	44.0
WIRE SIZE (75° C) COPPER	#6
WIRE SIZE (60° C) COPPER	#6
MAX. FUSE SIZE (OR CB) - AMPS	60

FIGURE 16: EB10C Wiring Diagram



MODEL: EB12C

NOTE: IF ANY OF THE ORIGINAL WIRE SUPPLIED WITH THIS UNIT MUST BE REPLACED. IT MUST BE REPLACED WITH TYPE 105°C THERMOPLASTIC OR ITS EQUIVALENT. FACTORY WIRING SHOWN SOLID. FIELD WIRING SHOWN BROKEN.

WIRING MUST CONFORM TO LOCAL CODES APPROVED FOR CU CONDUCTORS ONLY.

240 VAC - 60 Hz - 1 PHASE

D.O.E. OUTPUT CAPACITY - BTU	39,000
MAX. MOTOR-FLA	4.0
SINGLE BRANCH CIRCUIT SERVICE	2 LEADS + 1 GROUND
NOMINAL CIRCUIT LOAD-AMPS	50.7
WIRE SIZE (75° C) COPPER	#6
WIRE SIZE (60° C) COPPER	#4
MAX. FUSE SIZE (OR CB) - AMPS	70

FIGURE 17: EB12C Wiring Diagram

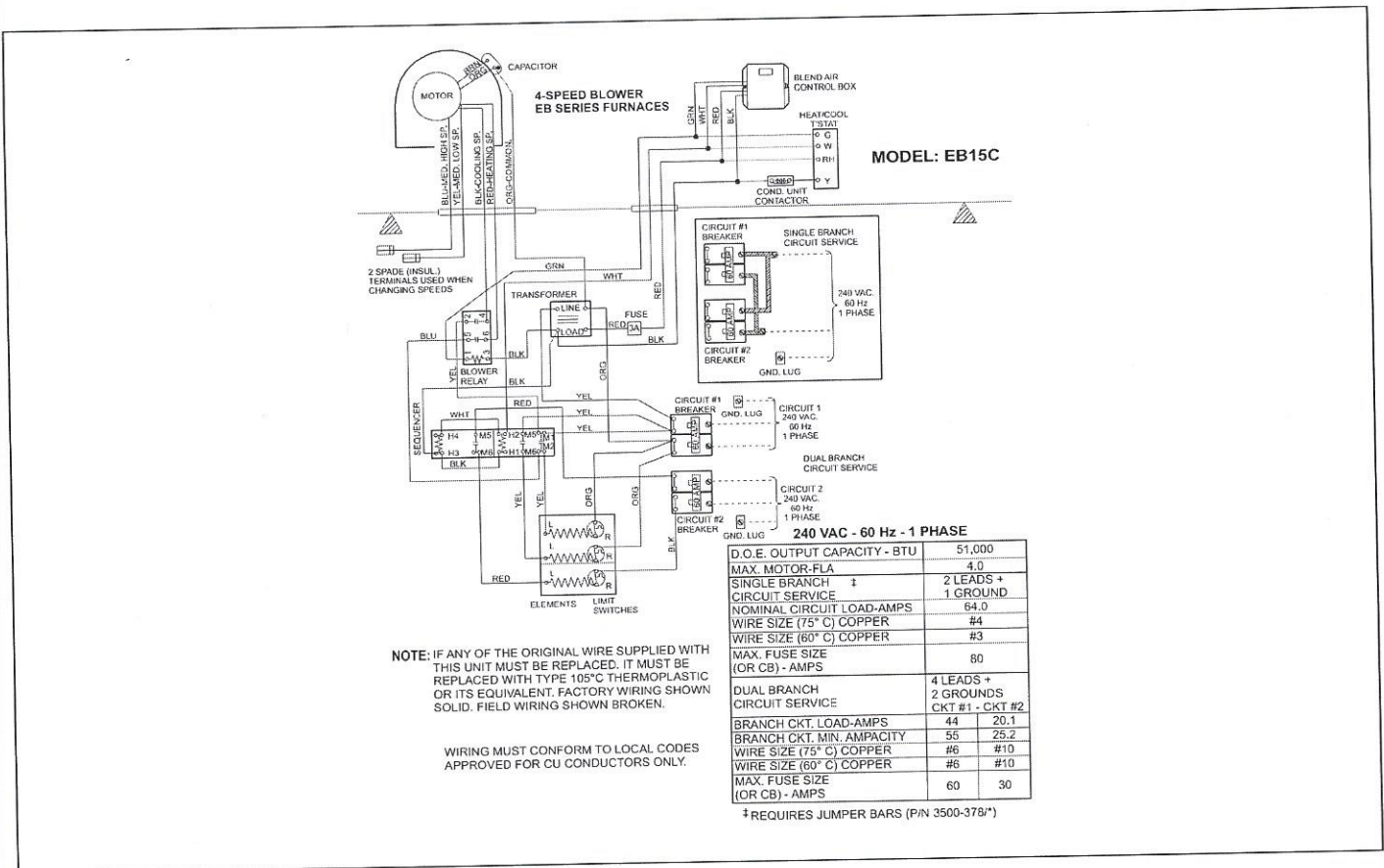


FIGURE 18: EB15C Wiring Diagram

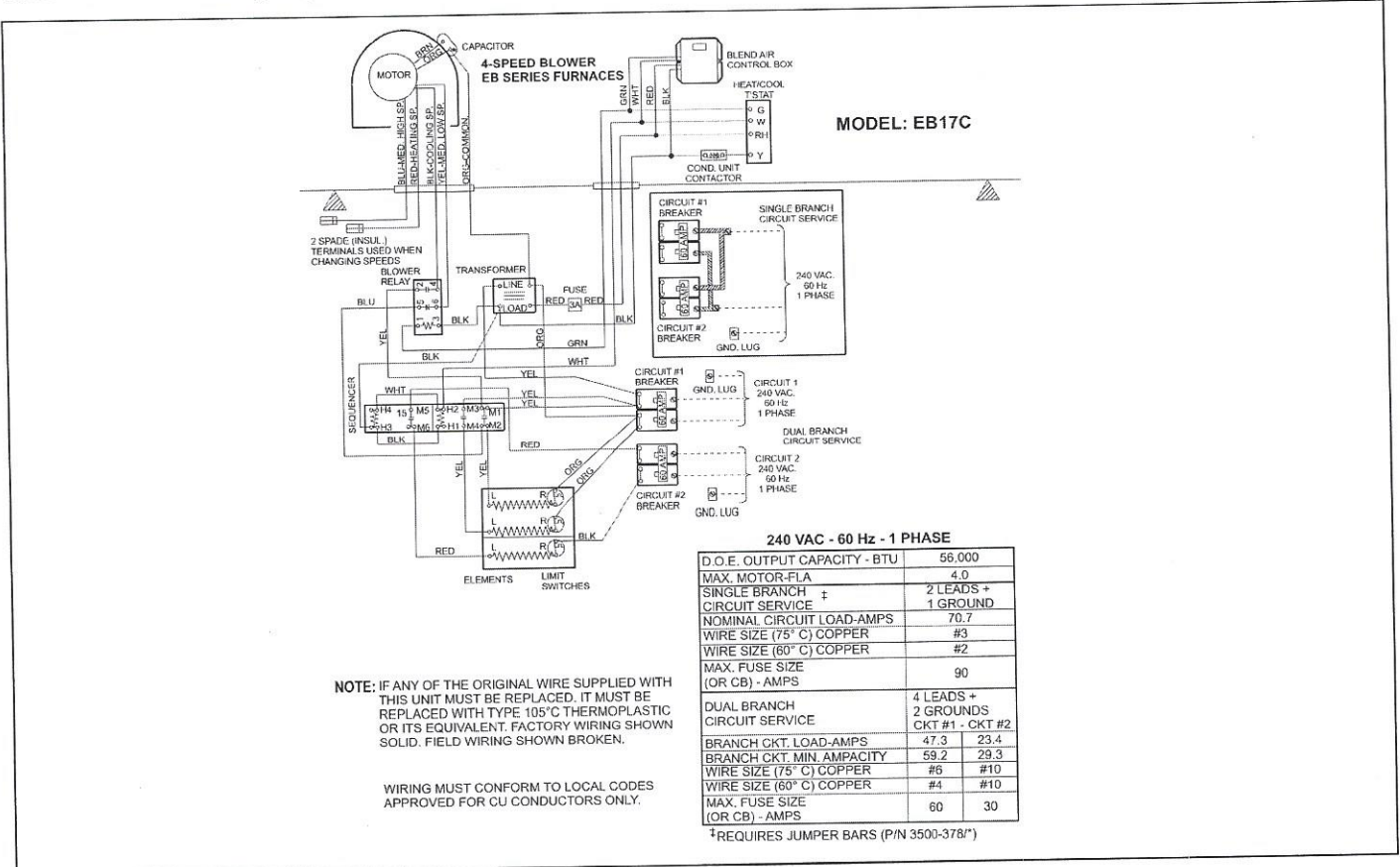


FIGURE 19: EB17C Wiring Diagram

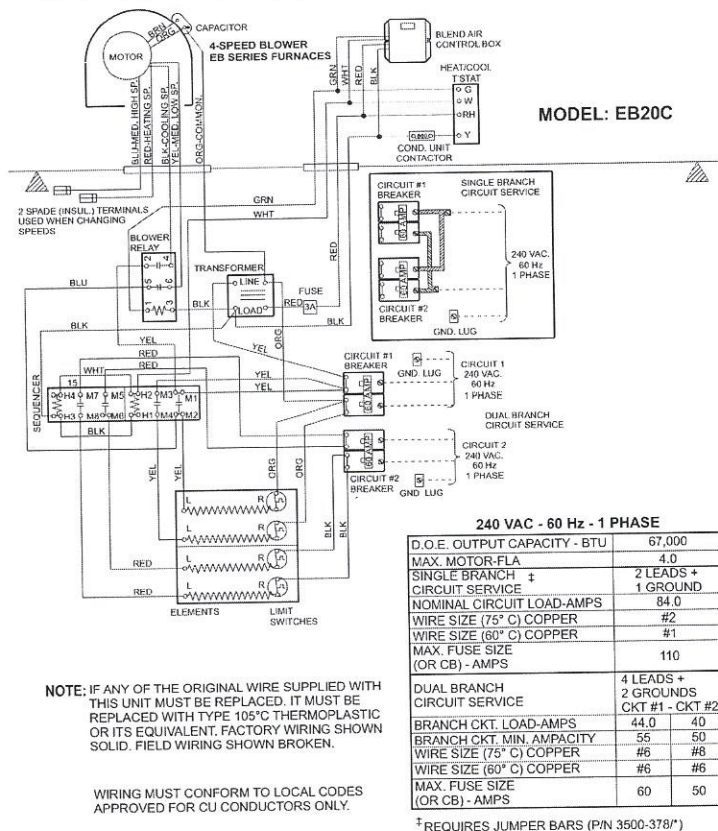


FIGURE 20: EB20C Wiring Diagram

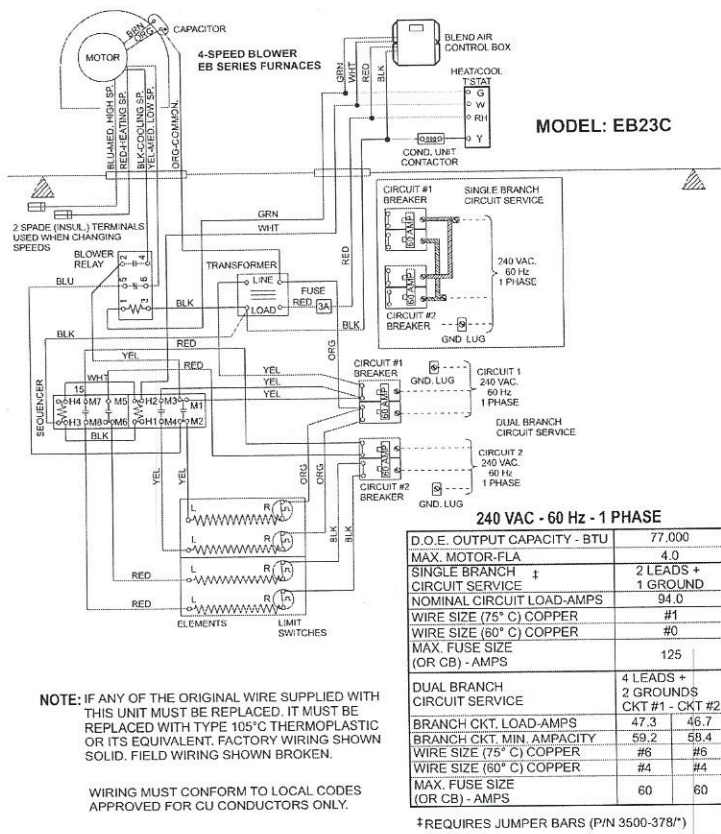


FIGURE 21: EB23C Wiring Diagram