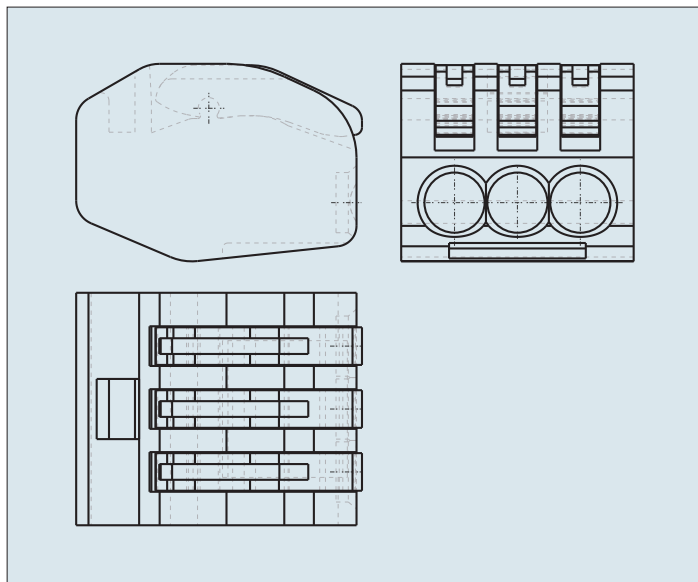
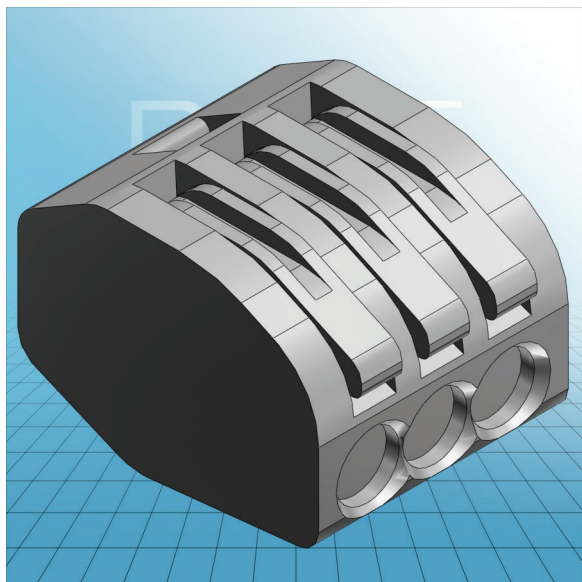


|   |                |
|---|----------------|
| <b>ITEM-NO. (ITEM-NO.)</b>                                  | 222-412        |
| <b>Cross section1 (Cross section / mm<sup>2</sup>)</b>      | 2 x 0,08 - 2,5 |
| <b>Cross section2 (Cross section / AWG)</b>                 | 28 - 12        |
| <b>Strip length (Strip length / mm)</b>                     | 9 - 10         |
| <b>Measured voltage (Measured voltage / V)</b>              | 400            |
| <b>Measured shock voltage (Measured shock voltage / kV)</b> | 4              |
| <b>Pollution degree (Pollution degree)</b>                  | 2              |
| <b>Current intensity (Current intensity / A)</b>            | 32             |
| <b>P (NO. OF POLES)</b>                                     | 2              |
| <b>Height (Height / mm)</b>                                 | 14.5           |
| <b>Width (Width / mm)</b>                                   | 20.5           |
| <b>Depth (Depth / mm)</b>                                   | 12.4           |
| <b>No. of connection Points (No. of connection Points)</b>  | 2              |
| <b>No. of potentials (No. of potentials)</b>                | 1              |
| <b>COLOR (COLOR)</b>  | grau           |
| <b>WEIGHT (WEIGHT / g)</b>                                  | 3.072          |



|   |                |
|---|----------------|
| <b>ITEM-NO. (ITEM-NO.)</b>                                  | 222-413        |
| <b>Cross section1 (Cross section / mm<sup>2</sup>)</b>      | 3 x 0,08 - 2,5 |
| <b>Cross section2 (Cross section / AWG)</b>                 | 28 - 12        |
| <b>Strip length (Strip length / mm)</b>                     | 9 - 10         |
| <b>Measured voltage (Measured voltage / V)</b>              | 400            |
| <b>Measured shock voltage (Measured shock voltage / kV)</b> | 4              |
| <b>Pollution degree (Pollution degree)</b>                  | 2              |
| <b>Current intensity (Current intensity / A)</b>            | 32             |
| <b>P (NO. OF POLES)</b>                                     | 3              |
| <b>Height (Height / mm)</b>                                 | 14.5           |
| <b>Width (Width / mm)</b>                                   | 20.5           |
| <b>Depth (Depth / mm)</b>                                   | 17             |
| <b>No. of connection Points (No. of connection Points)</b>  | 3              |
| <b>No. of potentials (No. of potentials)</b>                | 1              |
| <b>COLOR (COLOR)</b>  | grau           |
| <b>WEIGHT (WEIGHT / g)</b>                                  | 4.153          |