

Specification for: Perfekt LED Module PE3

Weloveleds 

Backlighting Injection Module

Perfekt PE3



Areas of application

Signage and illuminated advertising.

Best for 60~80mm depth light boxes and channel letters.

Permanent outdoor use in enclosed light boxes or channel letters.

Product features

Chain of 50 pcs LED modules.

High efficiency LED.

High color consistency (MacAdam 4).

Beam characteristic: 160°.

Protection class of LED module: IP67.

Flexible chain, can be split between any module.

Mounting with screw or premounted double-sided adhesive tape possible.

Nominal life-time up to 50,000 h (at tc 50°C).

Module size:

72 x 18.5 x 10 mm.

Application data

Max connection number	50 pcs
Distance of modules (wire)	200 mm
Ambient temperature ta	-25 ~ +50 °C
Max. temperature on module tc	65 °C
Storage temperature ts	-40 ~ +85 °C
Risk group (EN 62471:2008)	1
Certification list	CE/UL/ENEC/RoHS

Technical data

Product Name	Nominal voltage ^③	Color temperature or Wavelength ^{①②}	CRI ^{①②}	Typ. Flux per module ^{①②}	Typ. Power per module ^{①②}	Luminous efficacy
PE3WW	12.0 V	2700~3300 K	>70	135.0 lm	1.5 W	90.0 lm/W
PE3PW	12.0 V	5500~6500 K	>70	145.0 lm	1.5 W	96.7 lm/W
PE3CW	12.0 V	8000~17000 K	>70	145.0 lm	1.5 W	96.7 lm/W

① Tolerance range for optical and electrical data: -15/+15 %.

② All value @ ta=25°C.

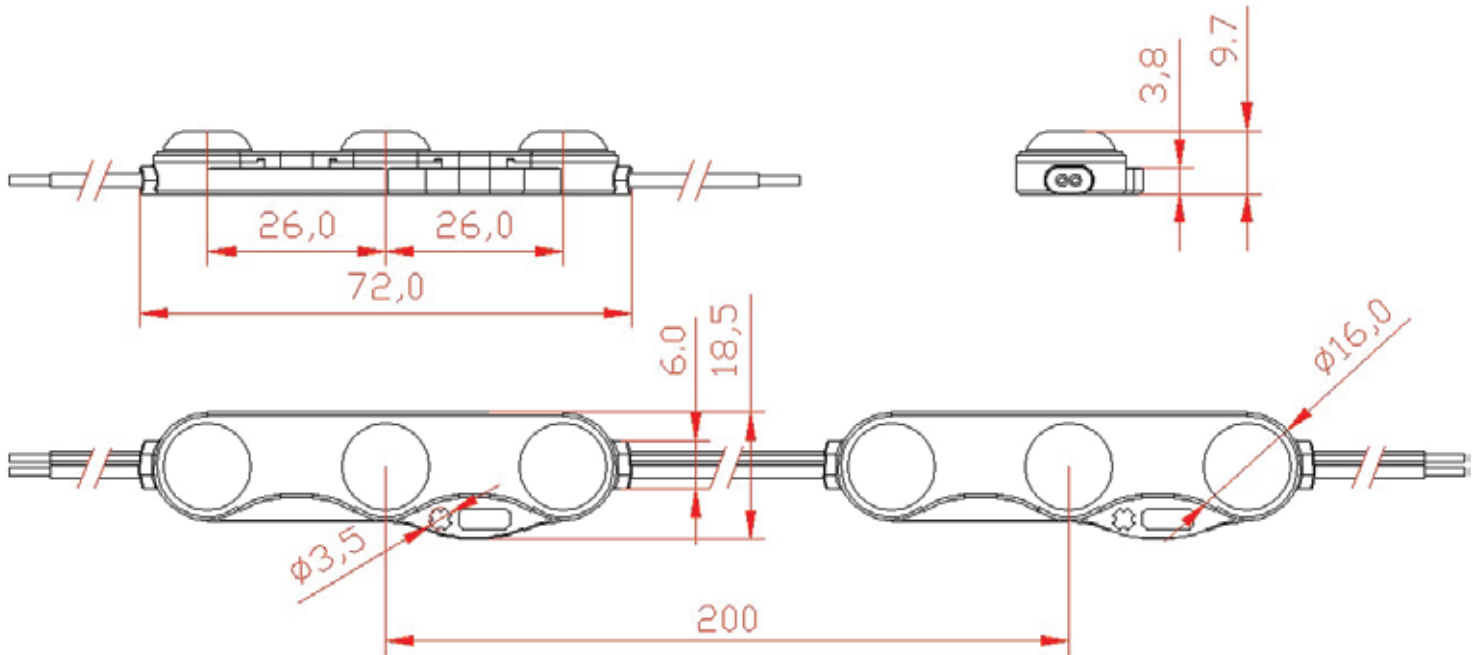
③ Tolerance range for the supply voltage: 12 V: ± 5 %.

www.weloveleds.co.uk leds@thesigngroup.co.uk 01132524706

WeLoveLEDS.co.uk (part of The Sign Group) Unit 3 Maple Park Lowfields Avenue Leeds West Yorkshire LS12 6HH

Specification for: Perfekt LED Module PE3

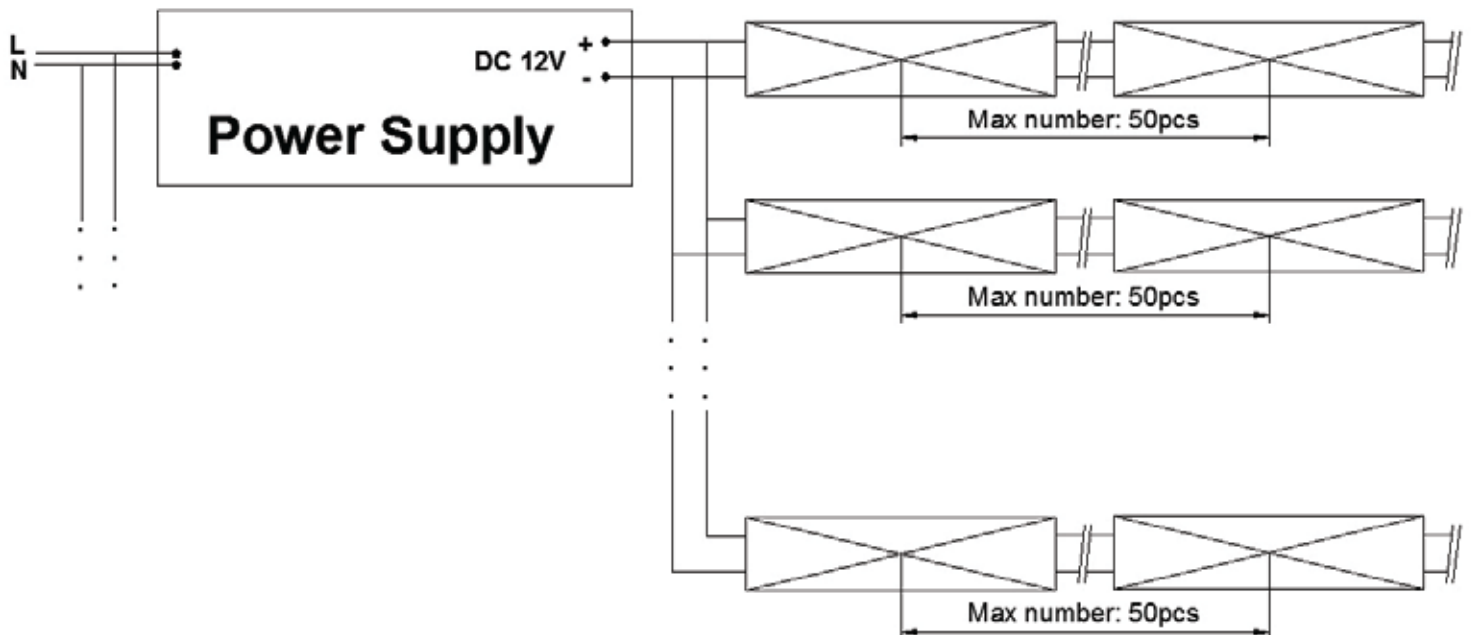
Product 2D drawing (unit: mm)



Wiring type

Cable	UL 1007 18AWG	
Color	red - white	white
Function	+	-

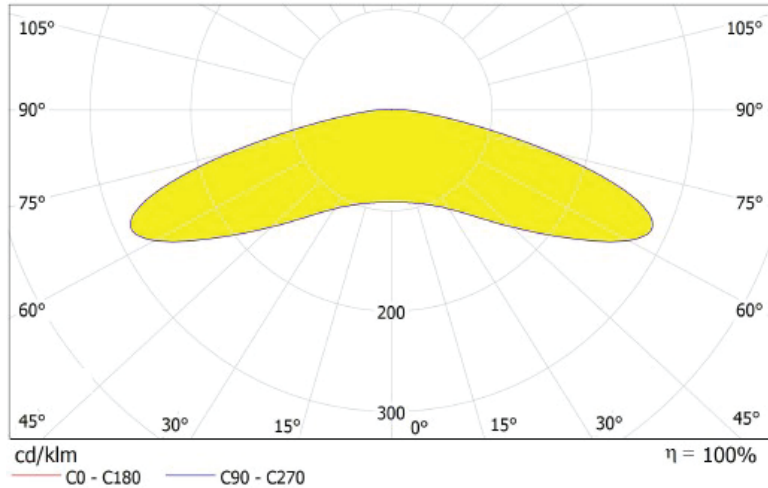
Wiring example:



Specification for: Perfekt LED Module PE3

Light distribution

Beam characteristics 160°

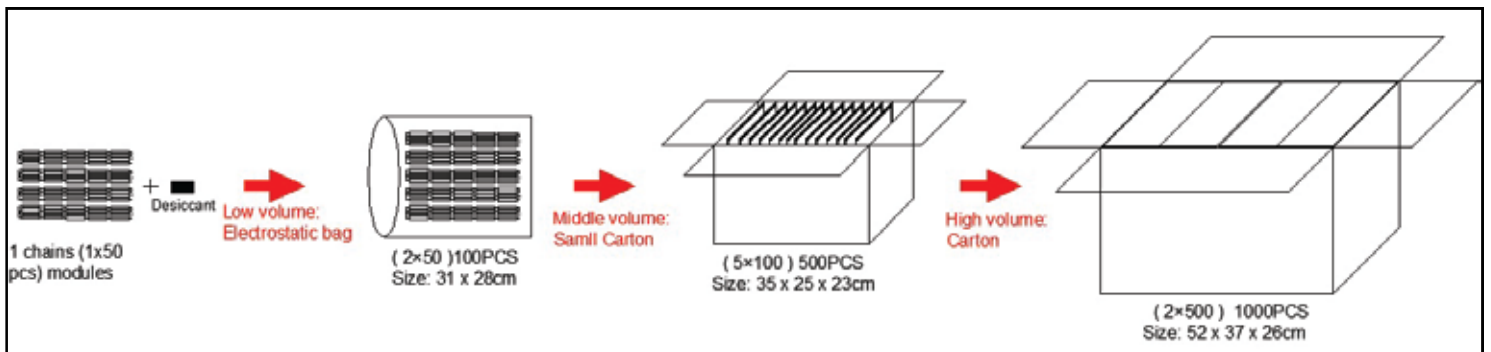


Packaging information

Product name	Weight per pc.①	Packaging, low volume		Packaging, high volume	
PE3	16.2 g	100 pc(s).	1.62 kg	1000 pc(s).	18.2 kg

① Tolerance range for weight: ± 10 %.

Packaging example:



Noted:

- The power cable should meet the actual maximum current and power.
- All the end point of wire should be treated with waterproof;
- Pay attention to the maximum number of connections, prohibit overloading.
- All the power supply must has the corresponding certification.
- Our company reserves the right of final interpretation.
- Subject to change without notice.

www.weloveleds.co.uk leds@thesigngroup.co.uk 01132524706

WeLoveLEDs.co.uk (part of The Sign Group) Unit 3 Maple Park Lowfields Avenue Leeds West Yorkshire LS12 6HH