

# Specification for: Perfekt LED Module PE2

Weloveleds 

## Backlighting Injection Module

Perfekt PE2



## Areas of application

Signage and illuminated advertising.

Best for 40~60mm depth light boxes and channel letters.

Permanent outdoor use in enclosed light boxes or channel letters.

## Product features

Chain of 75 pcs LED modules.

High efficiency LED.

High color consistency (MacAdam 4).

Beam characteristic: 160°.

Protection class of LED module: IP67.

Flexible chain, can be split between any module.

Mounting with screw or premounted double-sided adhesive tape possible.

Nominal life-time up to 50,000 h (at tc 50°C).

Module size:

42 x 18.5 x 10 mm.

## Application data

Max connection number	75 pcs
Distance of modules (wire)	200 mm
Ambient temperature ta	-25 ~ +50 °C
Max. temperature on module tc	65 °C
Storage temperature ts	-40 ~ +85 °C
Risk group (EN 62471:2008)	1
Certification list	CE/UL/ENEC/RoHS

## Technical data

Product Name	Nominal voltage <sup>③</sup>	Color temperature or Wavelength <sup>①②</sup>	CRI <sup>①②</sup>	Typ. Flux per module <sup>①②</sup>	Typ. Power per module <sup>①②</sup>	Luminous efficacy
PE2-WW	12.0 V	2700~3300 K	>70	90.0 lm	1.0 W	90.0 lm/W
PE2-PW	12.0 V	5500~6500 K	>70	95.0 lm	1.0 W	95.0 lm/W
PE2-CW	12.0 V	8000~17000 K	>70	95.0 lm	1.0 W	95.0 lm/W

① Tolerance range for optical and electrical data: -15/+15 %.

② All value @ ta=25°C.

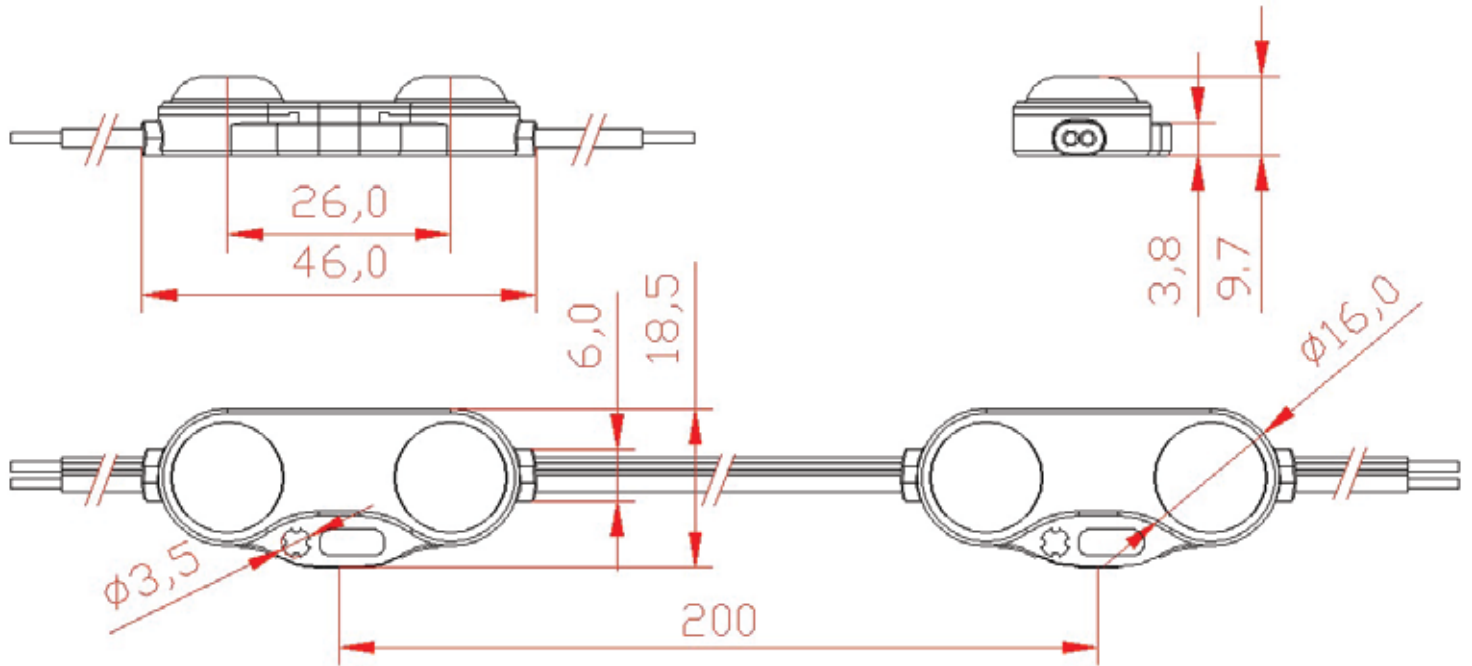
③ Tolerance range for the supply voltage: 12 V: ± 5 %.

www.weloveleds.co.uk leds@thesigngroup.co.uk 01132524706

WeLoveLEDs.co.uk (part of The Sign Group) Unit 3 Maple Park Lowfields Avenue Leeds West Yorkshire LS12 6HH

# Specification for: Perfekt LED Module PE2

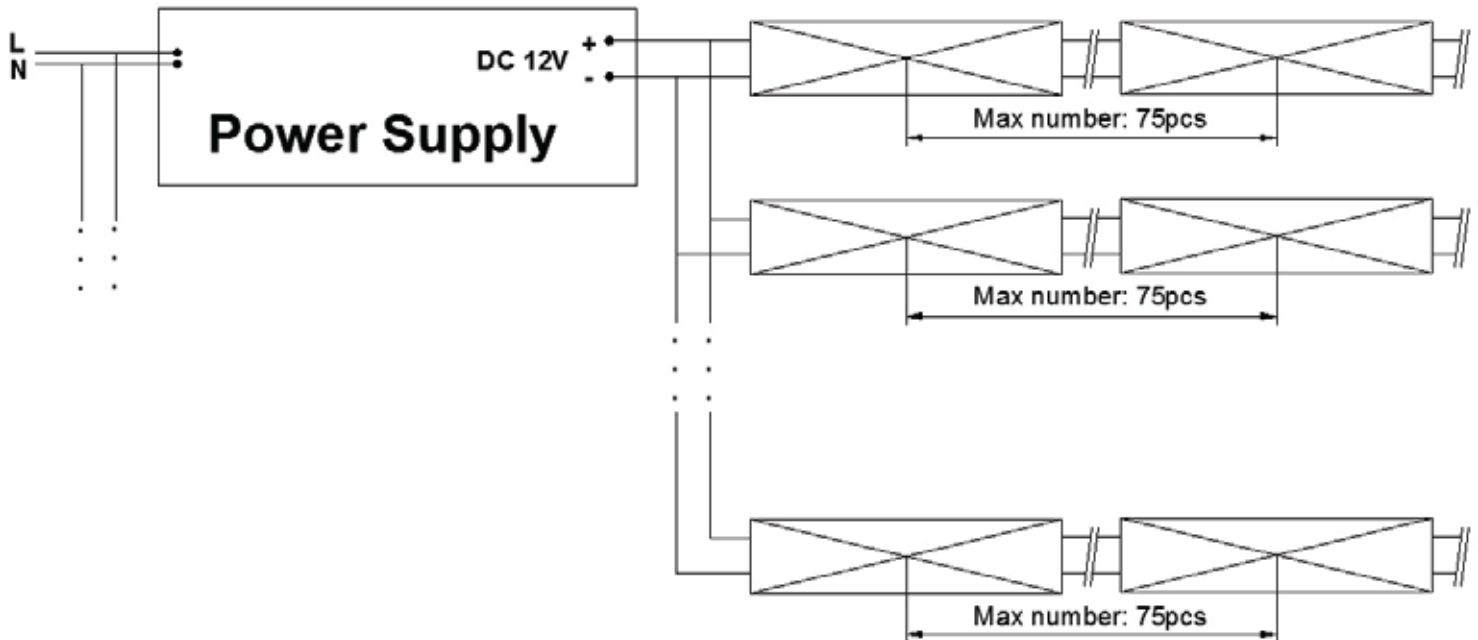
Product 2D drawing (unit: mm)



## Wiring type

Cable	UL 1007 18AWG	
Color	red - white	white
Function	+	-

Wiring example:



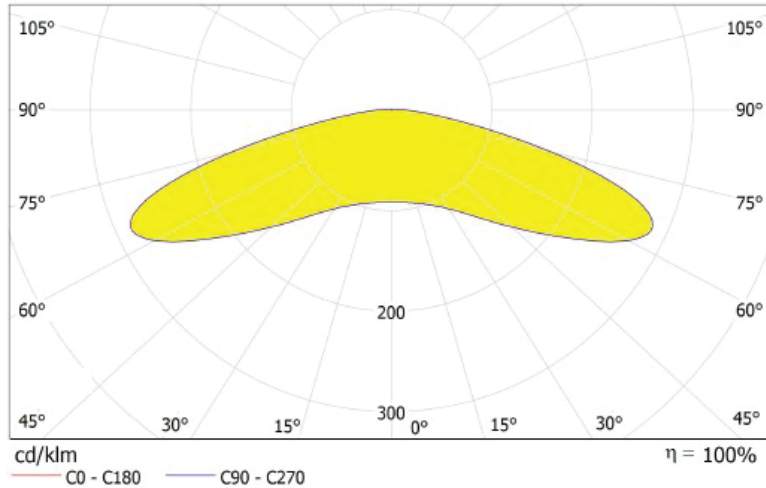
[www.weloveleds.co.uk](http://www.weloveleds.co.uk)   [leds@thesigngroup.co.uk](mailto:leds@thesigngroup.co.uk)   01132524706

WeLoveLEDS.co.uk (part of The Sign Group) Unit 3 Maple Park Lowfields Avenue Leeds West Yorkshire LS12 6HH

# Specification for: Perfekt LED Module PE2

## Light distribution

Beam characteristics 160°

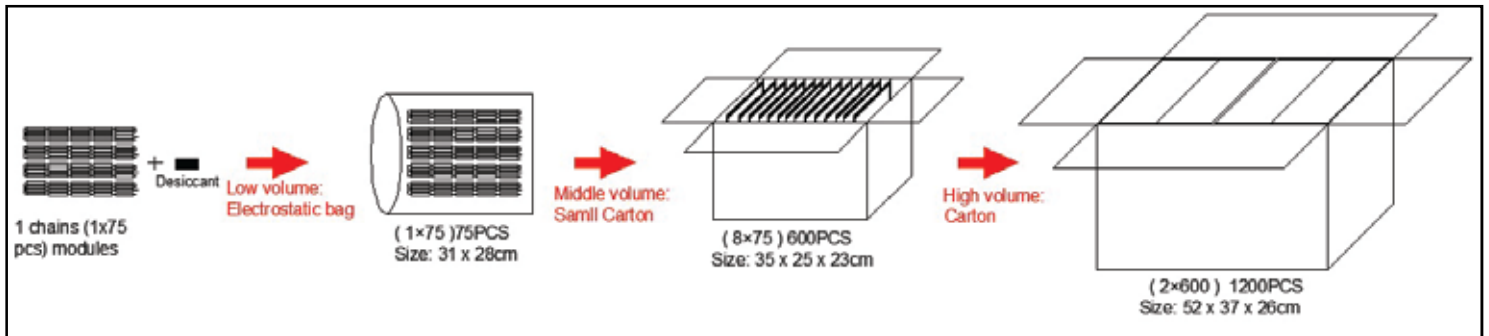


## Packaging information

Product name	Weight per pc.①	Packaging, low volume		Packaging, high volume	
PE2	10.8 g	75 pc(s).	0.81 kg	1200 pc(s).	15.0 kg

① Tolerance range for weight:  $\pm 10\%$ .

Packaging example:



## Noted:

- The power cable should meet the actual maximum current and power.
- All the end point of wire should be treated with waterproof;
- Pay attention to the maximum number of connections, prohibit overloading.
- All the power supply must has the corresponding certification.
- Our company reserves the right of final interpretation.
- Subject to change without notice.