

Features:

- Fully approved to all lighting specifications
- Output constant voltage
- High efficiency up to 86%
- Built in Active PFC function
- Protections: Short circuit/ over loading/over temperature/ over Voltage
- Cooling by free air convection
- IP67 design for outdoor installation
- Input Surge Protection: 2KV line-line
- Low noise and Ripple
- 5 years warranty, High efficiency for longer life



UK
CA



Models

EPV-24P-12

EPV-24P-24

Output Specifications

	EPV-24P-12	EPV-24P-24
Output Voltage	12V	24V
Voltage Accuracy		±5%
Output Current	2A	1A
Rated Power		24W

Input Specifications

Input Voltage	198-264VAC
Frequency Range	47-63Hz
Full Load Efficiency (Typ.)	86%
Power Factor Correction	>0.95, Full Load 230V/50Hz
Input Current	0.16A Max
Inrush Current	25A @Full Load, 230VAC
Inrush Current (T50% value)	25A, Inrush current width 380µs
No Load Power Consumption	≤0.5W

Protection

Over Load	Min: 110% Max: 150% Hiccup Auto Recovery
Short Circuit	Hiccup Auto Recovery
Over Temperature	Protection type: Auto Restore

Environment

Working TEMP.	-20~+60°C/ TC Mac- 75°C
Working Humidity	20-90% RH, non-condensing
Life Time	>30,000h @40°C

Environment

Storage Temperature -20~+85°C

Safety & EMC

Safety standards EN61347-1, EN61347-2-13

EMI EEN 55015, EN 61000-3-2, EN 61000-3-3

EMS EN61000-4-2,3,4,5,6,8,11, EN 61547

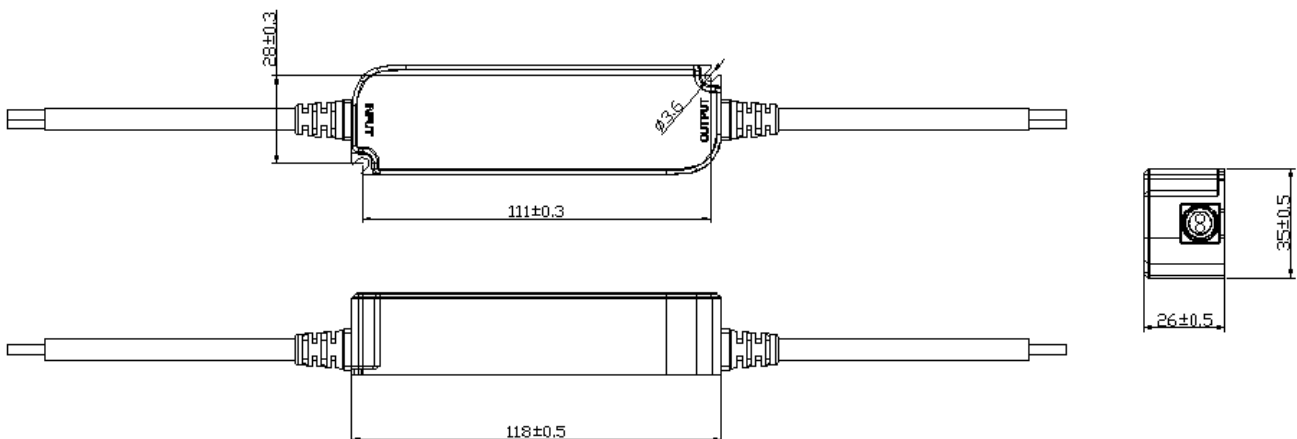
Other Specifications

Size 121 x 37 x 26 mm

Packing 355 x 320 x 275 mm (50PCS)

Weight 0.186 Kg

Mechanical Specifications



Circuit breaker

EPV24-*P	Circuit Breaker	B10	B13	B16	B20	B25
		8	10	13	16	20
		C10	C13	C16	C20	C25
		13	17	22	27	34