

Features:

- Fully approved to all lighting specifications
- Output constant voltage
- High efficiency up to 89%
- Built in Active PFC function
- ErP Compliant
- Protections: Short circuit/ over loading/over temperature/ over Voltage
- Cooling by free air convection
- IP67 design for outdoor installation
- Input Surge Protection: 2KV line-line
- Low noise and Ripple
- 5 years warranty, High efficiency for longer life



Models

EPV-100P-12

EPV-100P-24

Output Specifications

| | | |
|------------------|-------|-------|
| Output Voltage | 12V | 24V |
| Voltage Accuracy | ±5% | |
| Output Current | 8.33A | 4.17A |
| Rated Power | 100W | |

Input Specifications

| | |
|-----------------------------|---------------------------------|
| Input Voltage | 176-264VAC |
| Frequency Range | 47-63Hz |
| Full Load Efficiency (Typ.) | 89% |
| Power Factor Correction | >0.95, Full Load 230V/50Hz |
| Input Current | 0.68 Max |
| Inrush Current | 60A @Full Load, 230VAC |
| Inrush Current (T50% value) | 60A, Inrush current width 380µs |
| No Load Power Consumption | ≤0.5W |

Protection

| | |
|------------------|--|
| Over Load | Min: 110% Max: 150% Hiccup Auto Recovery |
| Short Circuit | Hiccup Auto Recovery |
| Over Temperature | Protection type: Auto Restore |

Environment

| | |
|------------------|---------------------------|
| Working TEMP. | -20~+70°C TC Mac- 75°C |
| Working Humidity | 20-90% RH, non-condensing |
| Life Time | >30,000h @40°C |

Environment

Storage Temperature -20~+85°C

Safety & EMC

Safety standards EN61347-1, EN61347-2-13

EMI EEN 55015, EN 61000-3-2, EN 61000-3-3

EMS EN61000-4-2,3,4,5,6,8,11, EN 61547

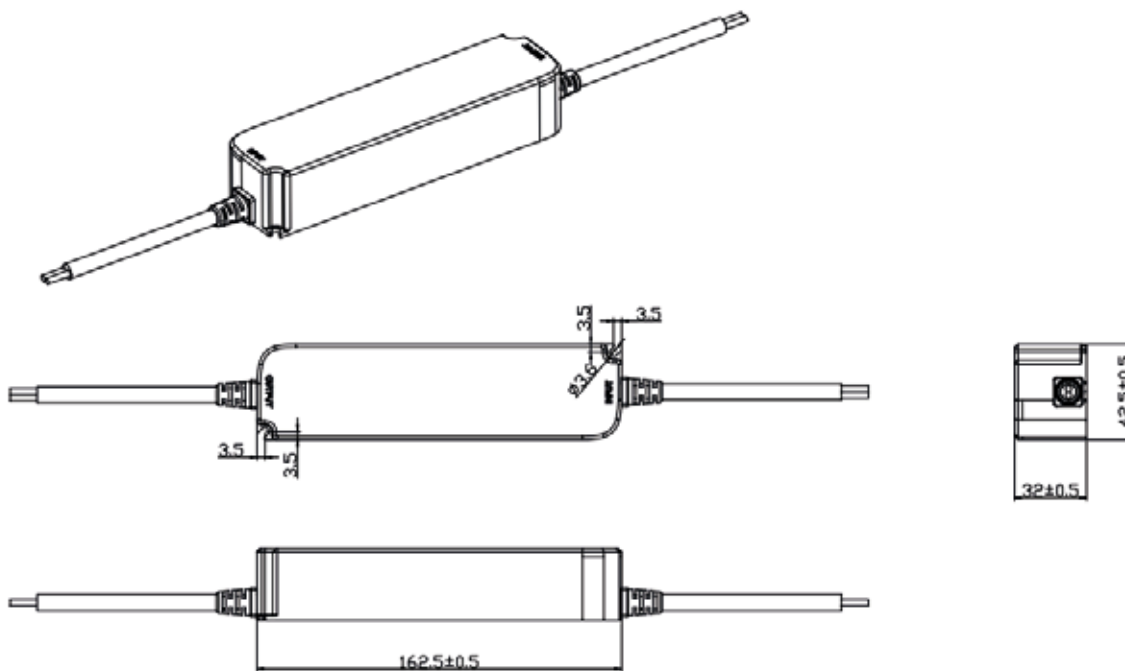
Other Specifications

Size 190 x 52 x 33 mm

Packing 355 x 320 x 275 mm (20PCS)

Weight 0.550Kg

Mechanical Specifications



Circuit breaker

| | | | | | | | |
|-----------|-----------------|---------------------------------|-----|-----|-----|-----|-----|
| EPV100-*P | Circuit Breaker | Type of CB | B10 | B13 | B16 | B20 | B25 |
| | | Number of Drivers per Single CB | 3 | 4 | 5 | 6 | 8 |
| | | Type of CB | C10 | C13 | C16 | C20 | C25 |
| | | Number of Drivers per Single CB | 5 | 7 | 9 | 11 | 14 |