

# READ ME FIRST

## IMPORTANT: Teego™ GTS System Setup Instructions

If after reading these instructions you have questions and need assistance, please e-mail our support department at [support@teego.com](mailto:support@teego.com) or call between 8am - 5pm EST at 1-800-698-3346.

*Thank you for purchasing the Teego GTS System!*

### Setup

#### Step 1:

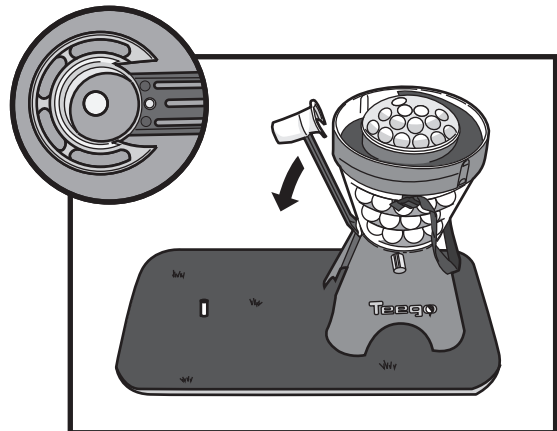
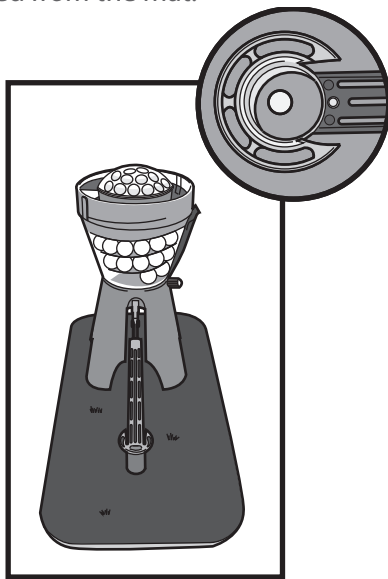
Setup the cage net following the instruction sheet included in this package. Place the net such that the back of the net is at least 3 feet away from any objects and secure it to the ground/floor. This provides room for the net to absorb the golf balls striking it.

#### Step 2:

Place the hitting mat approximately 4 feet away from the front edge of the cage net. Orient the mat such that the long side of the mat is parallel to the front of the net and one of the mat's tee holes is aligned with the center of the net target. Then insert the rubber tee in the aligned mat hole from the underside.

#### Step 3:

Set the Teego™ golf ball dispenser on the mat so that when its arm is dropped down the tee is slightly forward of the center of the arm "cup" (see the illustration). Test the arm to tee alignment by dispensing a golf ball from the Teego. Adjust the alignment as needed to get optimal operation (see the Teego User's Guide for tips). Once aligned there is no need to readjust the alignment unless the Teego is moved from the mat.



**Teego** GOLF  
Innovative Golf Accessories

For more information on Teego Golf products visit us online at:

[www.teego.com](http://www.teego.com)

Or call 1-800-698-3346

6 month limited warranty on all Teego Golf products.

Teego, Teego GTS, and ShagStick are trademarks of Teego Golf.