

G-5000

SLIDE OUT AWNING

INSTALLATION SERVICE and REPAIR

REV.01272016



GIRARD SYSTEMS®

RV AWNING PRODUCTS

1361 CALLE AVANZADO, SAN CLEMENTE, CA 92673 (800) 382-8442 FAX (949)276-5500

www.girardrv.com



Girard Systems awnings may be operated in light wind and rain conditions. When periods of heavy rain and or high wind are expected the awning must be closed. Never leave the awning open and unattended.

Damage caused by wind and rain is not covered by warranty.

All awnings must be closed prior to moving the vehicle for any reason. As an extra safety precaution a visual check that every awning is fully closed is required.

Damage caused by failure to comply with these instructions is not covered by warranty.

Before using your awning, ensure that the area into which the awning will be deployed is free of obstructions (Trees, walls, pillars, posts, other vehicles etc.)

Damage caused by collisions with any of the above or similar is not covered by warranty.



CONTENTS

Installation Instructions	3
Tools required	4
Preparation for installation	4
Bracket placement Chart	5
Installation Sequence	6
Spring Tension Adjustment	7
Lead Rail / Articulation Replacement	8
Slide Brush Replacement	8
Spring Replacement	9
Fabric Replacement	10
Fabric Care and Maintenance	11-12
G-500 Exploded drawing	13
Component Identification	14-16

INSTALLATION INSTRUCTIONS

Before beginning to install the awning please ensure the following;

- The vehicle is parked and leveled on suitable hard standing.
- Suitable precautions have been taken to protect the vehicle from accidental damage.
- The area of the vehicle where the awning is to be installed has been prepared.
- Sufficient manpower, a minimum of 2 persons is required.
- Suitable protective clothing is worn by the persons doing the installation.
- Suitable and serviceable lifting and holding equipment should be used to avoid personal injury.
- When mounting fixtures to the vehicle be aware that the soft materials that the skin of the vehicle is made from can be torn out or “Stripped” by the over tightening of fasteners.

DO NOT OVER TIGHTEN FIXING BOLTS AND SCREWS.

- Make every effort to ensure that fasteners are mounted to the structural framework of the vehicle not just the skin.
- Any holes made in the skin of the vehicle must be sealed with silicone sealant, putty tape or similar product.



TOOLS REQUIRED

- Electric Drill
- Drill bits: 1/8", 3/8", and 7/16"
- Tape measure
- (2) ladders
- Chalk line
- Flat head screwdriver (small)
- Phillips screwdriver #2, #3
- Allen wrenches: 5mm and 4mm
- 9/16" Open ended wrench
- (2) tubes silicone caulking
- Caulking gun
- Keyhole saw
- Double sided tape
- Self-tapping screws #6 X 3/4"
- Self-tapping screws #12 X 1 1/2"
- 3/8" Ratchet wrench
- Girard tension tool.
Part#1511100-19T (Available on request)

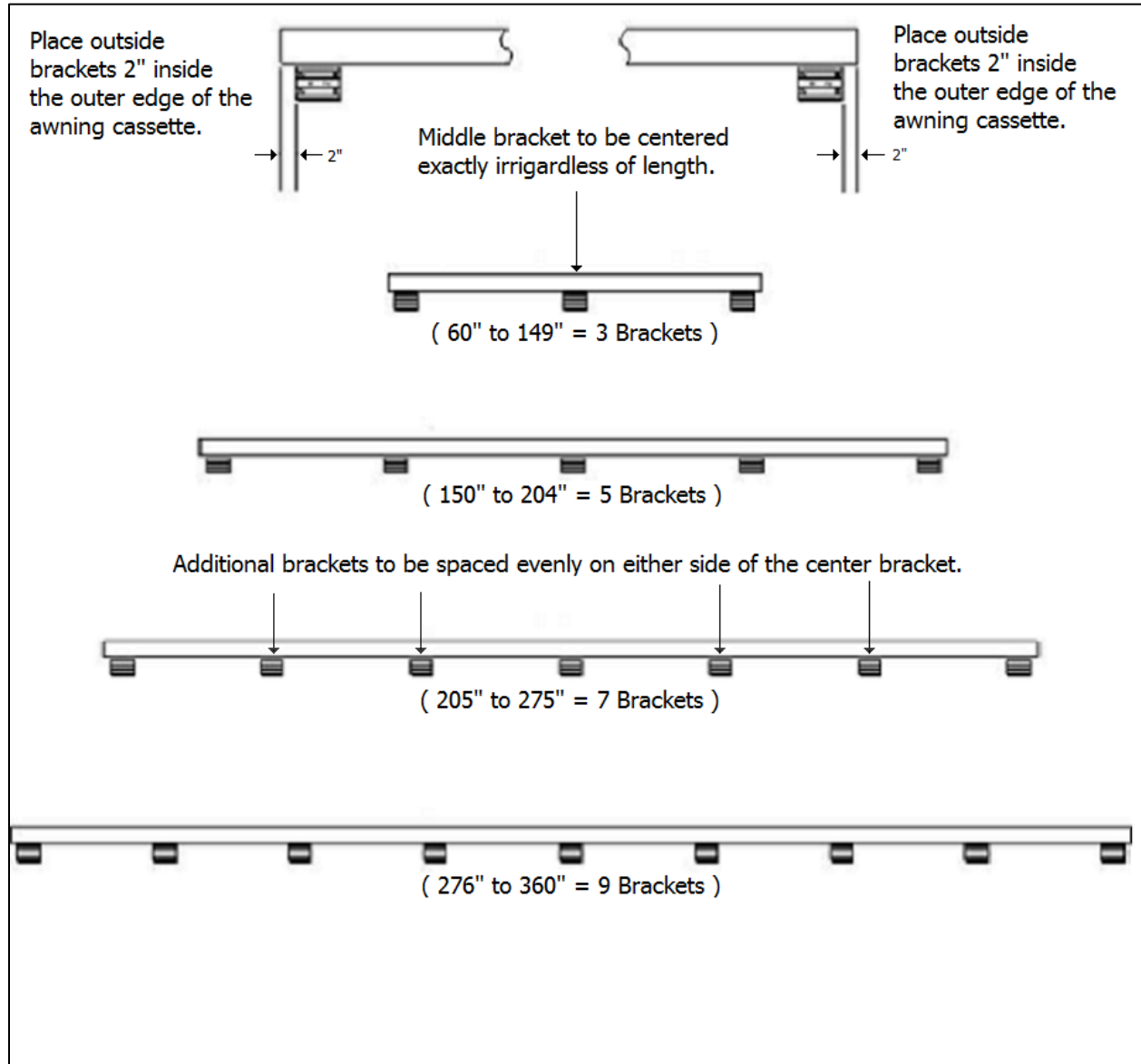
PREPARATION FOR INSTALLATION

1. Ensure that the overall length of the awning cassette is 3" longer than the width of the slide out room.
2. Ensure that a sufficient number of mounting brackets is available for the length of the awning (Refer to bracket placement chart on page 5).
3. Ensure that the rubber weather seal is present and long enough for the awning.
4. Ensure that the awning cover moves freely and closes correctly on the magnetic latches.
5. Determine the vertical distance above the slide out room (Elevation) that the awning is to be mounted. (Up to 5 1/2") This will determine the gradient of the run off and the number of articulations needed between the fabric and the lead rail. (See chart below)
6. Ensure that there is a sufficient number of articulations to allow for the elevation desired.

ELEVATION DESIRED	NUMBER OF ARTICULATIONS
2 1/2" to 3 1/2"	3
3 1/2" to 4 1/2"	4
4 1/2" to 5 1/2"	5



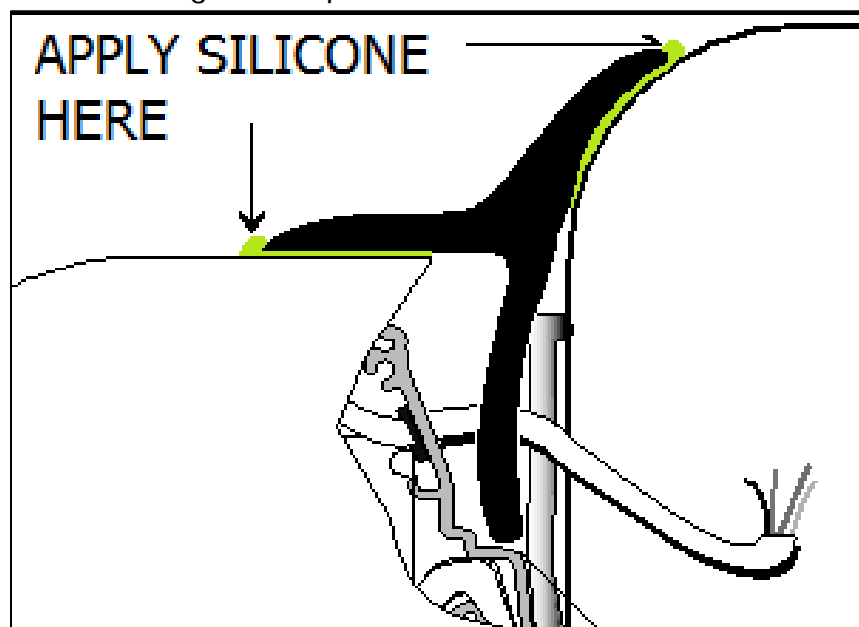
BRACKET PLACEMENT CHART





INSTALLATION SEQUENCE

1. With the slide-out room closed, carefully measure and mark a chalkline at the desired height for the awning to be mounted, also mark the center point of the installation.
2. Measure and mark the positions for the awning mounting brackets.
3. Check and double check the positions of the brackets before drilling any holes.
4. Using double sided tape attach the brackets to the sidewall. This will hold them in position while drilling pilot holes for the #12 screws to be used to secure the brackets in place.
5. Use silicone sealant or similar product to seal the holes when fixing the brackets in place. Place a bead of silicone along the top edge and sides of each bracket.
6. Lift the awning into place and ensure that the back of the main housing is properly engaged with all of the mounting brackets.
7. Ensure that the awning is centered exactly, and then secure in place with the set screws provided.
8. Using silicone sealant, install the rubber weather seal as shown in the diagram below. Cut to correct length as required.



9. Extend the slide-out room 6".
10. Remove 1 lead rail end plate and slide out the screw cover.
11. Pull the lead rail down 1/4" from the top of the slide-out room.
12. Fix the lead rail along this line using #6 X 3/4" self-tapping screws every 6".
Remember to use silicone sealant to seal all the holes.
13. Slide the screw cover back in place and replace the lead rail endcap.



SPRING TENSION ADJUSTMENT

The tension on the Torsion Spring is preset at the factory to between 7 and 8 turns. As the fabric will stretch over time, this will need to be adjusted at some point, also in the event of the fabric or a spring being replaced. To carry out this adjustment, follow the instructions below.

1. Remove the left hand plastic end cap from the awning cassette.
2. Attach the Girard tension tool to a 3/8" ratchet wrench and insert into the end of the square tube.
3. While maintaining tension on the spring, remove the 2 spring support screws.
NOTE; at this point the stored tension in the spring will cause the spring to unwind rapidly if not held securely which could cause personal injury or damage to the product or the vehicle.
4. Using a 9/16" wrench to hold the square tube while the repositioning the ratchet handle, carefully unwind all the tension from the torsion spring.
5. If the awning is long enough to require 2 springs repeat steps 1-4 on the opposite end of the awning.
6. Fully extend the slide out room and pull out the fabric until the bare roller tube can be seen.
7. Now the LH spring must be tensioned in a COUNTER-CLOCKWISE direction, and the RH spring must be tensioned in a CLOCKWISE direction. (If present)
8. Using the ratchet and 9/16" wrench, wind the fabric back onto the roller tube.
9. When the first resistance is felt from the spring, this is the position from which the tensioning turns should be counted.
10. Proceed to tension the spring **by 7 full turns** plus whatever extra is needed to align the spring support bracket with the holes for the support screws removed at step 3.
11. Replace the spring support screws removed at step 3 of this procedure.
12. If the awning has 2 springs, ideally steps 8-11 should be carried out at both ends of the awning simultaneously. If this is not possible ensure that an equal number of turns is applied to the second spring.
13. Fully retract the slide out room and observe that there is even tension across the awning fabric as it retracts and that the awning cassette closes properly at the end of this movement.
14. If additional tension is required repeat this process exactly except for step 10 where tension should be increased by a half turn.
15. When the tension is satisfactory on both ends of the awning, replace the plastic end caps.



LEAD RAIL / ARTICULATION REPLACEMENT

NOTE; 2 persons are required to carry out this procedure.

1. Extend the slide-out room about 12"
2. Place a clamp on each edge of the fabric next to the cassette housing.
3. Retract the slide out room about 3", the fabric should now be loose as the clamps are preventing it from being pulled back into the cassette.
4. Remove the lead rail end plate from both ends of the lead rail.
5. Remove the screws form the ends of the lead rail articulations.
6. Add, remove or replace articulations as required.
7. If the lead rail needs to be replaced at this point, then slide out the screw cover and remove all #6 screws securing the lead rail to the slide-out room.
8. Remove the lead rail and clean any sealant form the sidewall in preparation for the new lead rail to be mounted.
9. Secure the new lead rail along the same line as the old one. Position the screws every 6" as before but offset the spacing as to avoid using existing screw holes.
10. Insert the required number of articulations to rejoin the fabric to the lead rail.
11. Replace the lead rail screw cover.
12. Replace all screws and end plates.
13. Extend slide-out room to pull fabric taut.
14. Remove the clamps from the edges of the fabric.
15. Retract the slide-out room.

SLIDE BRUSH REPLACEMENT

1. Lift the cassette cover and remove the screws securing the magnet strike plates.
2. Using a flat head screwdriver push or gently tap the metal fitting until the brush strip protrudes from the opposite end.
3. Use grips or pliers to remove the entire brush strip.
4. Insert new brush strip, center and cut if necessary to ensure that the brush ends are flush with the ends of the cassette cover.
5. Replace the magnet strike plates.



SPRING REPLACEMENT

Due to the nature of this task, it is recommended that 2 persons carry out this procedure.

1. Remove the left hand plastic end cap from the awning cassette.
2. Attach the Girard tension tool to a 3/8" ratchet wrench and insert into the end of the square tube.
3. While maintaining tension on the spring, remove the 2 spring support screws.
NOTE; at this point the stored tension in the spring will cause the spring to unwind rapidly if not held securely which could cause personal injury or damage to the product or the vehicle.
4. Using a 9/16" wrench to hold the square tube while the repositioning the ratchet handle, carefully unwind all the tension from the torsion spring.
5. Ensure that the fabric and roller tube are sufficiently supported while the LH end plate is removed (3 screws).
6. Slide the defective spring assembly out of the roller tube.
7. Insert the new spring assembly ensuring that the drive is inserted first and is correctly aligned.
8. Replace the LH end plate, ensuring that the roller tube assembly is correctly seated.
9. Now a LH spring must be tensioned in a COUNTER-CLOCKWISE direction, and a RH spring must be tensioned in a CLOCKWISE direction. (If present)
10. Using the ratchet and 9/16" wrench, begin to tension the spring.
11. When the first resistance is felt from the spring, this is the position from which the tensioning turns should be counted.
12. Proceed to tension the spring **by 7 full turns** plus whatever extra is needed to align the spring support bracket with the holes for the spring support screws removed at step 3.
13. Replace the spring support screws removed at step 3 of this procedure.
14. If the awning has 2 springs, ideally steps 10-13 should be carried out at both ends of the awning simultaneously. If this is not possible ensure that an equal number of turns is applied to the second spring.
15. Fully extend and retract the slide-out room and observe that the awning performs as expected. If the spring tension requires adjustment, follow the procedure on page 7 of this manual.



FABRIC REPLACEMENT

Due to the nature of this task, it is recommended that 2 persons carry out this procedure.

1. Remove the plastic end cap from the awning cassette.
2. Attach the Girard tension tool to a 3/8" ratchet wrench and insert into the end of the square tube.
3. While maintaining tension on the spring, remove the 2 spring support screws.
NOTE; at this point the stored tension in the spring will cause the spring to unwind rapidly if not held securely which could cause personal injury or damage to the product or the vehicle.
4. Using a 9/16" wrench to hold the square tube while the repositioning the ratchet handle, carefully unwind all the tension from the torsion spring.
5. If the awning is long enough to require 2 springs repeat steps 1-4 on the opposite end of the awning.
6. Remove the spring support screws.
7. Remove the retaining screw from the first articulation at the end of the fabric.
8. Unwind all of the fabric from the roller tube until the bare tube is exposed and the end of the fabric is lined up with the slot in the end plate.
9. Pull out the fabric along with the first articulation (furthest from the lead rail).
10. Remove the articulation from the old sheet of fabric and carefully fit it to the new sheet of fabric. Lubricate the articulation if necessary and take care not to damage the new fabric as it is fitted.
11. Center the articulation on the new fabric and secure in place with new fabric screws.
12. The end of the new fabric and the lead rail articulation must be re-inserted at the same time. Secure in place with the screw removed at step 7.
13. When the fabric is in place wind it onto the roller tube so that the fabric when extended will feed off of the top of the roller tube.
14. When all of the fabric is wound onto the roller tube, proceed to set the spring tension as per the instructions on page 7 of this manual.
15. When the spring tension is satisfactory, replace the awning end caps.



FABRIC CARE AND MAINTENANCE GUIDE

AWNING FABRICS

For all cleaning, stain removal, care and maintenance of Acrylic and Polyester fabrics the recommendations are the same.

Fabric Care Guidelines

1. Brush off surface dirt with a clean soft bristle brush.
2. Hose down the fabric with clean water.
3. Use only natural soap or dishwashing liquid.
4. Prepare soap mixture in a clean bucket.
5. Dunk a clean, soft bristle brush into the mixture.
6. Use sweeping motions to clean the awning.
7. Allow soap to soak in and capture dirt.
8. Rinse thoroughly to remove all residues.

AIR DRY ONLY! Pressing, steaming, or machine drying will shrink awning fabric.

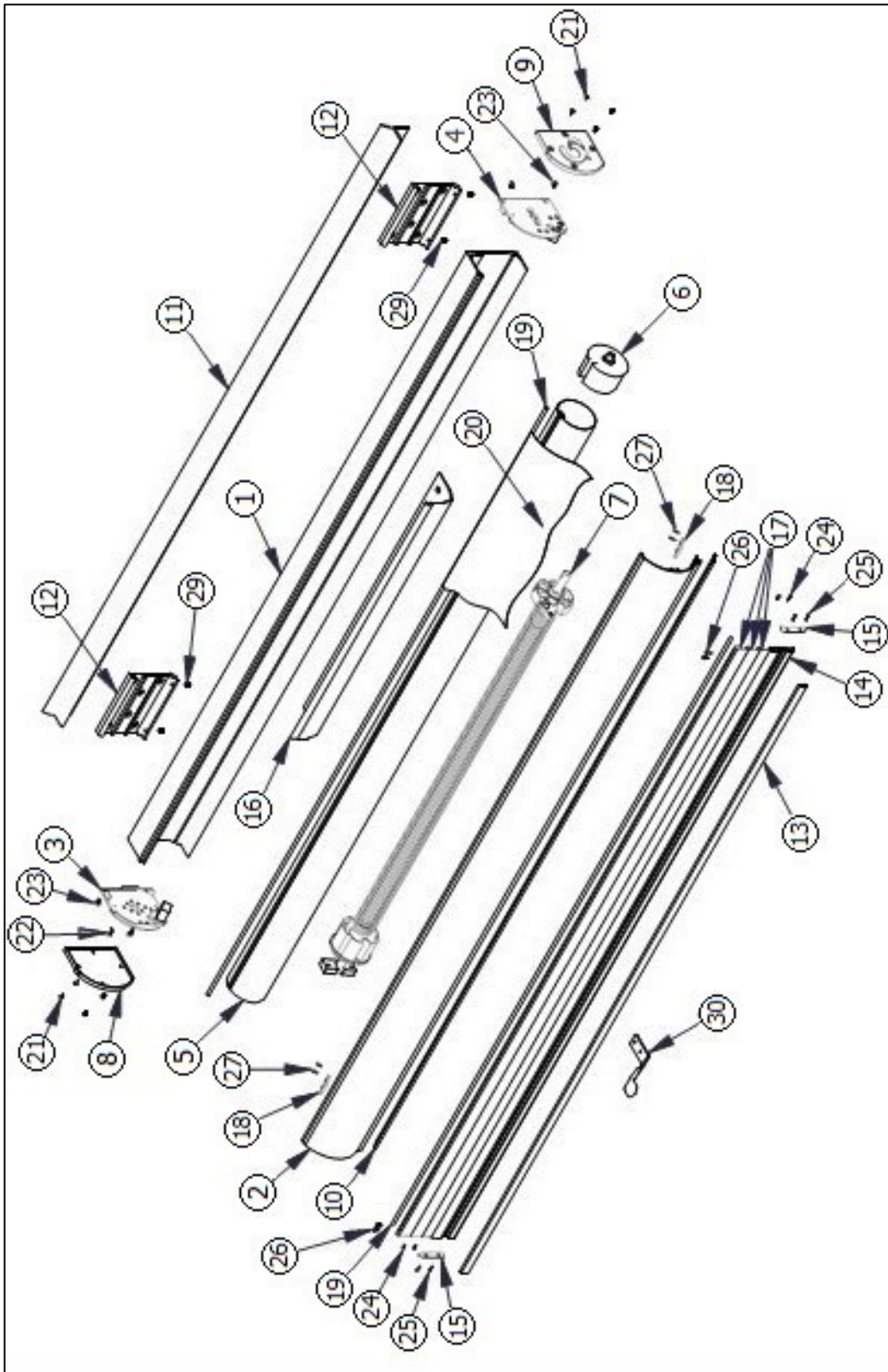
STAIN SOLUTIONS

<u>STAIN</u>	<u>RECOMMENDED CLEANING SOLUTIONS</u>
BEER	Dishwashing liquid (2 oz.)/1 gallon water/white vinegar (3 oz.)
BERRY	Dishwashing liquid (2 oz.) /1 gallon water / ammonia (4-8 oz.)
BIRD DROPPINGS	Dishwashing liquid (2 oz.)/1 gallon water.
BLOOD (DRIED)	Dishwashing liquid (2 oz.) / 1 gallon water / ammonia (4-8 oz.)
BUTTER	volatile solvent (acetone) 100%
CHARCOAL, PENCIL MARKS	vacuum, then dishwashing liquid (2 oz.) / 1 gallon water
CATSUP OR MUSTARD	Dawn® dishwashing liquid (2 oz.) / 1 gallon water
CHEWING GUM	volatile solvent (acetone) 100%
CHOCOLATE	Dishwashing liquid (2 oz.) / 1 gallon water / ammonia (4 oz.)
COFFEE	Dishwashing liquid / water, white vinegar, acetone
COLA	Dishwashing liquid (2 oz.) / 1 gallon water
CRAYON	Paint remover (100%), oil or grease remover (mix as directed)
EGG (RAW)	Dishwashing liquid (2 oz.) / 1 gallon water



GRAPE JUICE	Dishwashing liquid (2 oz.) / 1 gallon water
GRAVY	Dishwashing liquid (2 oz.) / 1 gallon water
GREASE (CAR)	volatile solvent (acetone) 100%
INK (PERMANENT, INDIA, BALLPOINT)	Paint remover (100%), volatile solvent (acetone) 100%, soap and water
IRON RUST	Oxalic or Citric acid (2oz.) / 1 gallon water
LIPSTICK	Paint remover, oil or grease remover (mix as directed)
MASCARA	Paint remover (100%), volatile solvent (acetone-100%), dishwashing liquid (2 oz.) / 1 gallon water
MILDEW	Bleach (1/2 cup) /dishwashing liquid (2 oz.) / 1 gallon water
MILK	Dishwashing liquid (2 oz.) / 1 gallon water
NAIL POLISH	volatile solvent (acetone) 100%
OIL	volatile solvent (acetone) 100%
ORANGE DRINK	Dishwashing liquid (2 oz.) / 1 gallon water
PAINT (LATEX) WET	Dishwashing liquid (2 oz.) / 1 gallon water
PAINT (LATEX) DRIED	Paint remover (100%), oil or grease remover (mix as directed)
PAINT (OIL OR LACQUER)	Paint remover (100%), oil or grease remover (mix as directed)
SHOE POLISH (LIQUID)	volatile solvent (acetone) 100%
SHOE POLISH (WAX)	apply heated iron over towel, volatile solvent (acetone) 100%
SUNTAN LOTION	Pine oil detergent / water (mix as directed)
TEA	Dishwashing liquid (2 oz.) / 1 gallon water
TOMATO JUICE	Dishwashing liquid (2 oz.) / 1 gallon water
TREE SAP	Turpentine (100%), dishwashing liquid (2 oz.) / 1 gallon water
URINE	Dishwashing liquid (2 oz.)/1 gallon water/white vinegar (3 oz.)
VOMIT	Dishwashing liquid (2 oz.)/1 gallon water/white vinegar (3 oz.)
FOOD COLOR	Dishwashing liquid (2 oz.)/1 gallon water/white vinegar (3 oz.)
WAX (CANDLE)	apply heated iron over towel, volatile solvent (acetone) 100%
WINE	Dishwashing liquid (2 oz.) / 1 gallon water / ammonia (4-8 oz.) / white vinegar (3 oz.)

G-5000 EXPLODED DIAGRAM





COMPONENT IDENTIFICATION

ITEM	DESCRIPTION	PART No.
1	Box Mainframe 7'5" BLK (89")	1110089-50B
1	Box Mainframe 8'5" BLK (101")	1110101-50B
1	Box Mainframe 13'5" BLK (161")	1110161-50B
1	Box Mainframe 17' BLK (204")	1110204-50B
1	Box Mainframe 20'4" BLK (244")	1110244-50B
1	Box Mainframe 30' BLK (360")	1110360-50B
2	Pivot Cover 7'5" BLK (89")	1110089-51B
2	Pivot Cover 8'5" BLK (101")	1110101-51B
2	Pivot Cover 13'5" BLK (161")	1110161-51B
2	Pivot Cover 17' BLK (204")	1110204-51B
2	Pivot Cover 20'4" BLK (244")	1110244-51B
2	Pivot Cover 30' BLK (360")	1110360-51B
3	G-5000 LH Side Plate Assembly	1511100-00L
4	G-5000 RH Side Plate Assembly	1511100-00R
5	Roller Tube - 14'	1500126-14
5	Roller Tube - 18'	1500126-18
5	Roller Tube - 20'	1500126-20
5	Roller Tube - 23'	1500126-23
5	Roller Tube - 30'	1500126-30
6	Roller Tube Gudgeon	1500142-13
7	Torsion Spring LH G5000	1511100-19
7A	Torsion Spring RH (Super & 1000)	1511100-19R
8	End Cover LH G5000 Black	1511112-012B
8	End Cover LH G5000 White	1511112-01W
9	End Cover RH G5000 Black	1511112-022B
9	End Cover RH G5000 White	1511112-02W
10	Brush G5000 Per Foot	1511100-41
11	Rubber Seal	1500502-99
12	G5000-G2185 Mounting Bracket	1511100-08
13	Slide Screw Cover 7'5" BLK (89")	1110089-20B
13	Slide Screw Cover 8'5" BLK (101")	1110101-20B
13	Slide Screw Cover 13'5" BLK (161")	1110161-20B
13	Slide Screw Cover 17' BLK (204")	1110204-20B
13	Slide Screw Cover 20'4" BLK (244")	1110244-20B
14	Slide Lead Rail 7'5" BLK (89")	1110089-30B
14	Slide Lead Rail 8'5" BLK (101")	1110101-30B



14	Slide Lead Rail 13'5" BLK (161")	1110161-30B
14	Slide Lead Rail 17' BLK (204")	1110204-30B
14	Slide Lead Rail 20'4" BLK (244")	1110244-30B
14	Slide Lead Rail 30' BLK (360")	1110360-30B
15	Lead Rail End Cap WHT LH	1511101-011
15	Lead Rail End Cap BLK LH	1511101-0112
15	Lead Rail End Cap WHT RH	1511101-022
15	Lead Rail End Cap BLK RH	1511101-0222
16	G5000 Super Slide Cradle Kit - 2'	1511113-03K
17	Articulation 7'5" BLK (89")	1110089-52B
17	Articulation 8'5" BLK (101")	1110101-52B
17	Articulation 13'5" BLK (161")	1110161-52B
17	Articulation 17' BLK (204")	1110204-52B
17	Articulation 20'4" BLK (244")	1110244-52B
17	Articulation 30' BLK (360")	1110360-52B
18	Strike Plate G5000 Plated	1511100-302
19	Poly Rope (per foot)	1500372-00
20	See Fabric Assemblies	
21	End Cover Screw WHT	1511103-081
21	End Cover Screw BLK	1511103-082
22	Spring Support Screw	1511103-05
23	Side Plate Screw	1511103-055
24	Articulation Screw	1511103-03
25	Lead Rail End Cap Screw	1550602
26	Fabric Screw	1550602
27	Screw for Strike Plate	1550602
27	Strike Plate Screw 8-32 x 1/4	1511100-304
28	G5000 Center Bracket Support Kit	1511100-45K
	Center piece coupler for 30ft	1500021-12
29	Set Screw Mounting Bracket	1502085-09
30	Center Bracket Support	1511100-45
	Cover M Housing G1000 Black	1511100-022
	Side Plate RH G1000/2185	1511100-03
	Side Plate LH G1000/2185	1511100-04
	Spring Support Slide	1511100-09
	Bearing Spring Support	1511100-10
	Retaining Ring Slide Spring 28MM	1511100-18
	Slide Spring Assembly	1511100-190
	Spring Tension Tool 3/8"	1511100-19T



	Machine Spring Tension Tool 3	1511100-19TS
	Screw 10 x 1/2 PHLPS FH SS	1511100-28
	Stainless Steel Pan Head Philips	1511100-29
	Magnet Cup	1511100-300
	Magnet - G5000	1511100-306
	Spring Tube Bushing Slide	1511101-08
	Lead Rail End Cap BLK LH/RH - G5000	1511101-22
	Screw #8x1 Philips FH SMS SS	1511103-07
	Pan Head Square Drive Self-Drive	1511103-13
	Spring Tube Bushing 78MM	1511111-08
	Metric 18-8 SS Flat Head Socket	1511113-04
	RIVET 3/16 for Double Slide	1511114-01
	Slide Spring Tension Tool	TENSIONTOOL
	Bearing Support G5000 Slide	1511100-072
	Cover Side Plt LH G1000 WHT	1511112-01
	Cover Side Plt LH G1000 BLK	1511112-012
	Cover Side Plt RH G1000 WHT	1511112-02
	Cover Side Plt RH G1000 BLK	1511112-022
Component Assemblies		
3	G-5000 LH Side Plate Assembly Includes End Plate, Spring, & magnet	1511100-00L
4	G-5000 RH Side Plate Assembly Includes End Plate, Spring, & magnet	1511100-00R
3+4 Assy	G-5000 RH Side Plates Pair w/Magnets Includes both end plates & hardware	9950001-01
Fabric Assemblies		
20	Fabric Assy G5000 109" x 42"	8001109-42
20	Fabric Assy G5000 137" x 42"	8001137-42
20	Fabric Assy G5000 168" x 42"	8001168-42
20	Fabric Assy G5000 204" x 42"	8001204-42
20	Fabric Assy G5000 352" x 42"	8001352-42
20	Fabric Assy G5000 360" x 42"	8001360-42
20	Fabric Assy G5000 430" x 42"	8001430-42