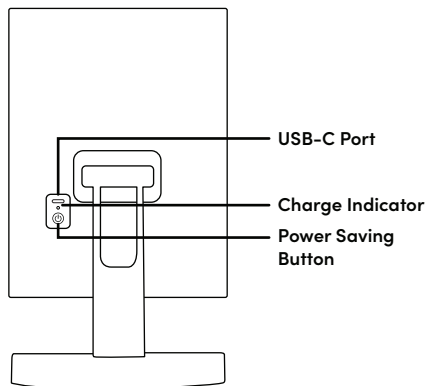
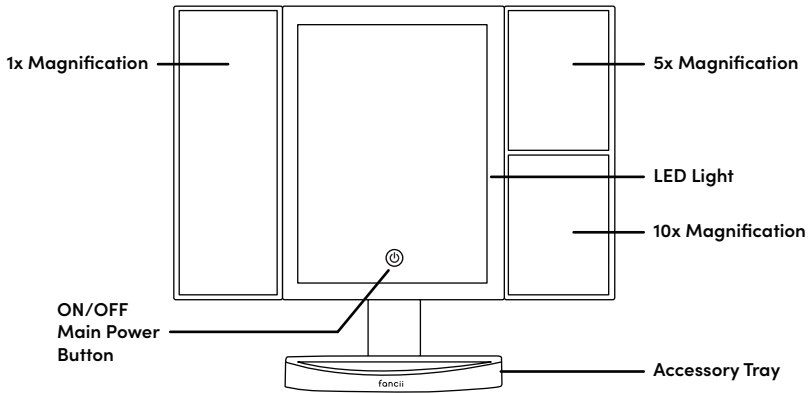
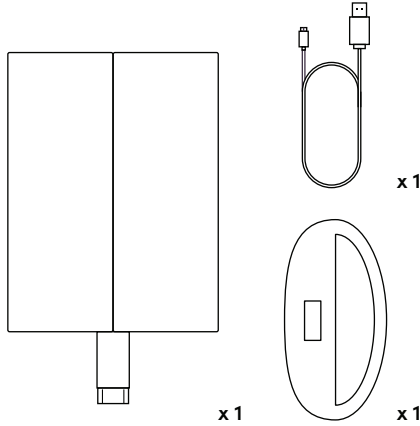


fancii

Good-bye
Boring
**Beauty
Routine!**

TRIA 2

Rechargeable Tri-Fold Mirror



FEATURES

3 Dimmable Light Settings / Choose from natural daylight, soft white and neutral white. These 3 dimmable light settings simulate day, evening, and home, so you can look flawless wherever you go.

Three Panels / Built-in 1X, 5X and 10X mirrors, able to tilt 90° front/back and 360° horizontal rotation for complete coverage so you can reach every angle and never miss a detail.

Save Space / The two side panels easily fold shut to reduce space on your counter and protect the mirror from damage. The base is detachable and can be dismantled and packed into your luggage for a super convenient large travel mirror!

Eco-friendly Power / Tria 2 is designed with a rechargeable battery that lasts up to 13 hours with a full charge.

LIGHT SETTING OPTIONS

1 / Natural Daylight (6000k) - All-round ideal light for daytime makeup as it simulates natural daylight.

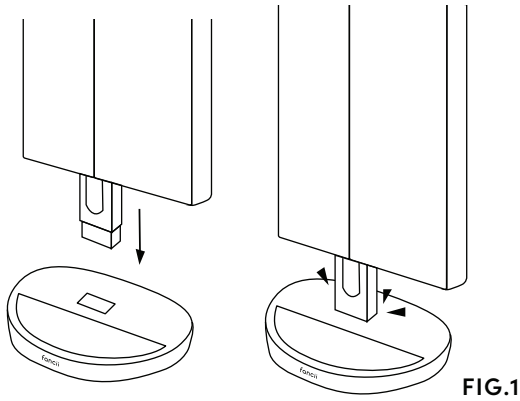
2 / Soft White (3500k) - This warmer hue (free of blue light) is perfect for night-time skincare routines to help ease you into sleep.

3 / Neutral White (5000k) - True neutral white (no red or blue hues), is recommended for getting photo-ready.

LET'S BEGIN

ASSEMBLE

- 1 / Assemble Tria 2 by inserting the long neck into the base until you hear a click.
- 2 / The main mirror is fully adjustable. The mirror can be tilted 90° front to back and rotated 360° horizontally. Use the base tray to store hair ties, hair pins, jewelry, and more!
- 3 / Disassembling the base is easy, which makes traveling with your mirror easy too! Simply hold the stand of the mirror, wiggle it from side to side and gently pull the main mirror upwards away from the base.



POWERING UP

- 1 / We recommend charging Tria 2 when you first receive it to ensure the battery is fully powered. Follow the instructions in the **Stay Powered** section to read how.
- 2 / Push the **power saving button** on the back of the mirror.
- 3 / Turn the LED lights on by tapping the main power button (⏻) on the front of the mirror.
- 4 / Tria 2 comes with three different LED light options. To cycle through the different light settings, tap on the main power button (⏻) until you find your desired light temperature.
- 5 / To brighten or dim the light, hold your finger down on the main power button (⏻) until you reach your desired brightness.
- 6 / Push the power saving button on the back of the mirror when not in use to conserve power.

STAY POWERED

- 1 / Use the USB-C cord to charge the battery.
- 2 / Attach cord to USB-C port located at the back of the mirror and connect the other end to a power source. The battery takes approximately 4.5 hours to fully charge.
- 3 / When charging, the light at the back of Tria 2 will turn red. When fully charged, it will turn green.

CLEANING TRIA 2

1 / Use a glass cleaner or water on a microfibre cloth or squeegee to wipe the glass in circular motions to avoid smears.

2 / Wipe down the rest of the mirror with a slightly damp cloth.

WARNINGS

1 / Keep this product away from young children and pets.

2 / The mirror is not waterproof. To protect against electrical hazards, do not use in the bath or shower.

3 / Do not place the mirror in direct sunlight. Reflection of direct sunlight by the mirror could cause a fire.

4 / Use this mirror only for its intended purpose.

5 / This product contains glass and may shatter if dropped. Handle with care.

BATTERY DISPOSAL

Note: Opening and disassembling the device will void its warranty. The process is not reversible.

This action must only be undertaken when the device is ready to be disposed of. All batteries should be recycled or disposed of as per state or local guidelines, and should not be thrown away in household waste. To remove the battery, you need to disassemble the unit and carefully extract the lithium battery. Wear gloves during this process for your safety. Do not dispose of in a fire as the battery will likely explode and cause injury.

Here To Help

We pride ourselves on providing premium beauty tools which is why all of our products are backed by a 24-month warranty. If you have any questions or need further assistance, you can send us an email, connect with us on Live Chat or give us a call! Our friendly support team is here to help.



1 • 800 • 285 • 0183



support@fancii.com



LIVE ONLINE CHAT AT:

fancii.com

fancii