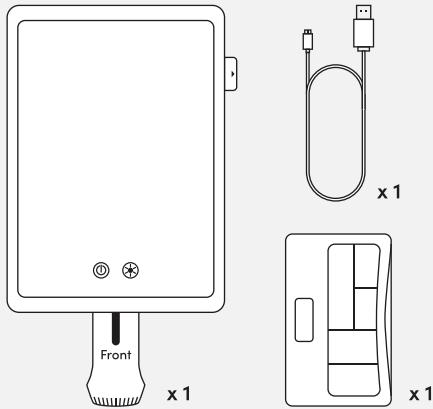


fancii

Good-bye
Boring Beauty
Routine!

CONTENTS



features

3 Dimmable Light Settings / Choose from natural daylight, soft white, and neutral white. These 3 dimmable light simulate day, evening, and home, so you can look flawless wherever you go.

Slide Out Mirror / The small but powerful 10x magnifying mirror shows fine details at maximum clarity, ideal for checking eye makeup.

180° Rotation / 180-degree swivel provides both horizontal and vertical rotation for portrait or landscape viewing. Tilt the mirror forward or backward to capture your perfect angle.

Smart Storage / Keep essential items like lipsticks, makeup and brushes in the compartment tray. It's a great way to keep your products neat and tidy.

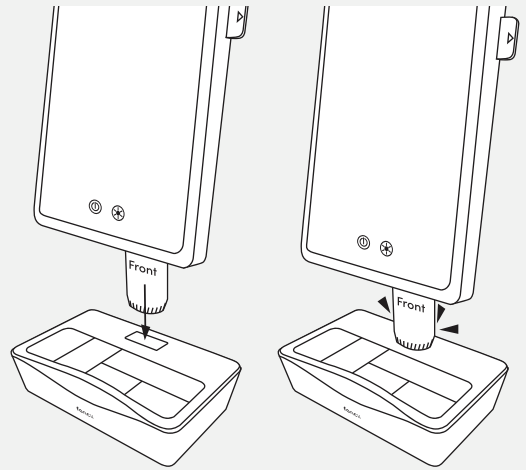
lights

Natural Daylight / All-round ideal light for daytime makeup as it simulates natural daylight.

Soft White / Perfect for creating a makeup look for an evening occasion like a date night.

Neutral White / True neutral white (no red or blue hues), use this setting to get photo-ready.

ASSEMBLY



let's begin

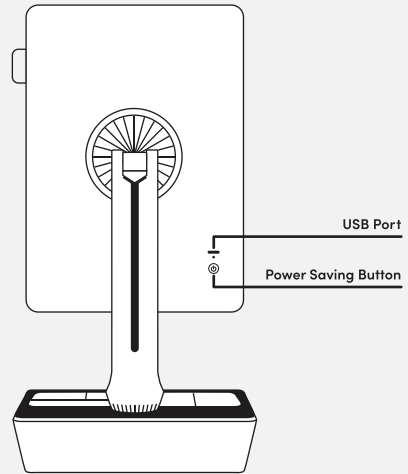
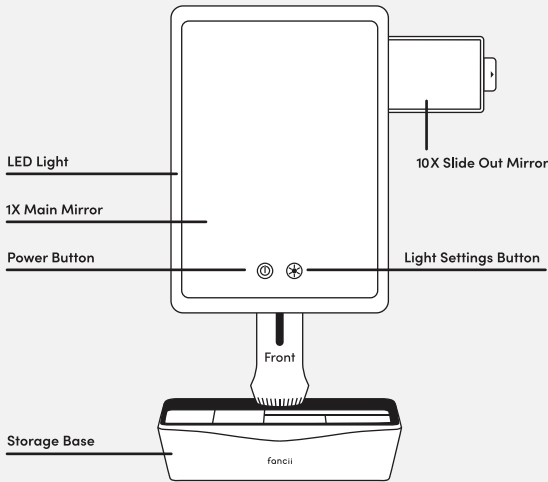
ASSEMBLE

- 1 / Assemble the product by inserting the long neck into the base until you hear a click. Ensure the mirror and base are both facing the same way before connecting.
- 2 / The main mirror is fully adjustable. It can be tilted 180° front to back and can also be rotated for horizontal and vertical viewing. Use the storage tray to store makeup, brushes, and more.
- 3 / Pull out the 10x magnification mirror for detailed viewing.

POWERING UP

- 1 / Ensure the battery is fully charged or use the USB-C cord and plug Gala 2 into a reliable power source (such as a computer or USB adapter).
- 2 / Push the power saving button on the back of the mirror.
- 3 / Turn the LED lights on by tapping the main power button (Ⓞ) on the front of the mirror.
- 4 / Gala 2 comes with three different LED light options. To cycle through the different light settings, tap the light settings button (✳) on the front of the mirror until you find your desired light temperature. Gala will remember the last setting you used when you power it back on.

MIRROR FUNCTIONS



- 5 / To brighten or dim the light, hold your finger down on the main power button (Ⓢ) until you reach your desired brightness.
- 6 / Push the power saving button at the back of the mirror when not in use to conserve power. Alternatively, the light will automatically turn off after 30 minutes.

STAY POWERED

- 1 / Use the USB-C cord provided to charge the battery.
- 2 / You will find the USB-C Port located on the back of the mirror. Attach the USB-C cable and connect the other end to a reliable power source. The battery takes approximately 3 hours to fully charge with about 2.5 hours usage with the brightest light setting.
- 3 / When charging, the light on the back of Gala 2 will glow red. When fully charged, it will glow green.

warnings

- 1 / Keep away from young children and pets.
- 2 / The mirror is not waterproof. To protect against electrical hazards, do not use in the bath or shower.
- 3 / Do not place mirror in direct sunlight. Reflection of direct sunlight by the mirror could cause a fire.

- 4 / Use this mirror only for its intended purpose.
- 5 / This product contains glass and may shatter if dropped. Handle with care.
- 6 / Batteries should be recycled or disposed as per state or local guidelines.

battery disposal

Note: Opening and disassembling the device will void its warranty. The process is not reversible.

This action must only be undertaken when the device is ready to be disposed of.

All batteries should be recycled or disposed of as per state or local guidelines, and should not be thrown away in household waste. To remove the battery, you need to disassemble the unit and carefully extract the lithium battery. Wear gloves during this process for your safety. Do not dispose of it in a fire as the battery will likely explode and cause injury.

here to help

We pride ourselves on providing premium beauty tools which is why all of our products are backed by a 24-month warranty. If you have any questions or need further assistance, you can send us an email, connect with us on Live Chat or give us a call! Our friendly support team is here to help.



1-800-285-0183



support
@fancii.com



Live online chat at:
fancii.com

Pour l'enseignement en français, veuillez visiter:
Für Deutschunterricht besuchen Sie bitte
Per istruzioni in italiano, visitare
Para la instrucción de español, visite

manuals.fancii.com

NOTE: This equipment has been tested and found to comply with the limits for a Class B digital device, pursuant to Part 15 of the FCC Rules.

These limits are designed to provide reasonable protection against harmful interference in a residential installation. This equipment generates, uses and can radiate radio frequency energy and, if not installed and used in accordance with the instructions, may cause harmful interference to radio communications. However, there is no guarantee that interference will not occur in a particular installation.

If this equipment does cause harmful interference to radio or television reception, which can be determined by turning the equipment off and on, the user is encouraged to try to correct the interference by one or more of the following measures:

- Reorient or relocate the receiving antenna.
- Increase the separation between the equipment and receiver.
- Connect the equipment into an outlet on a circuit different from that to which the receiver is connected.
- Consult the dealer or an experienced radio/TV technician for help.

FCC responsible party: RQ Innovation Inc.

Address: 465 Turnpike Street, Unit# 120, CANTON MA (Massachusetts), USA

Website address: www.fancii.com

want free fancii?

Share photos of you using your Fancii product
with the hashtag #FanciiFam

Send in before and after photos
to our email: results@fancii.com

@FanciiCo



as featured in

allure

GLAMOUR

VOGUE