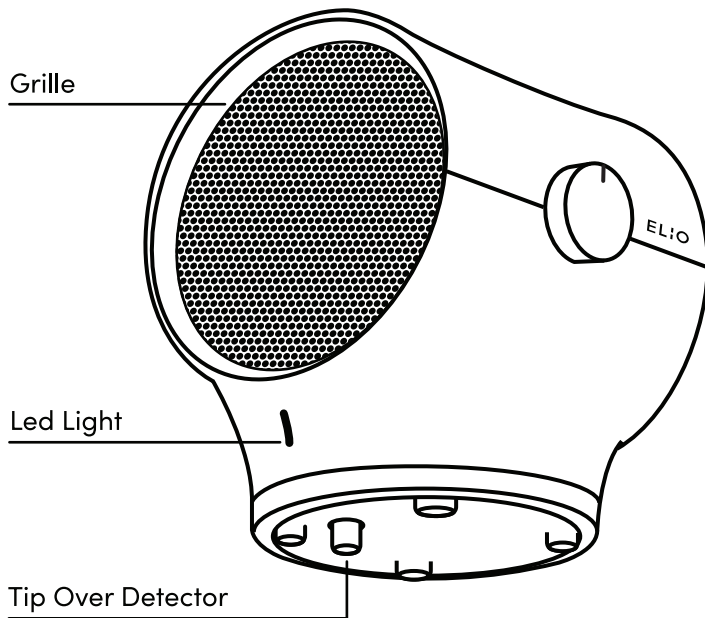
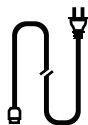


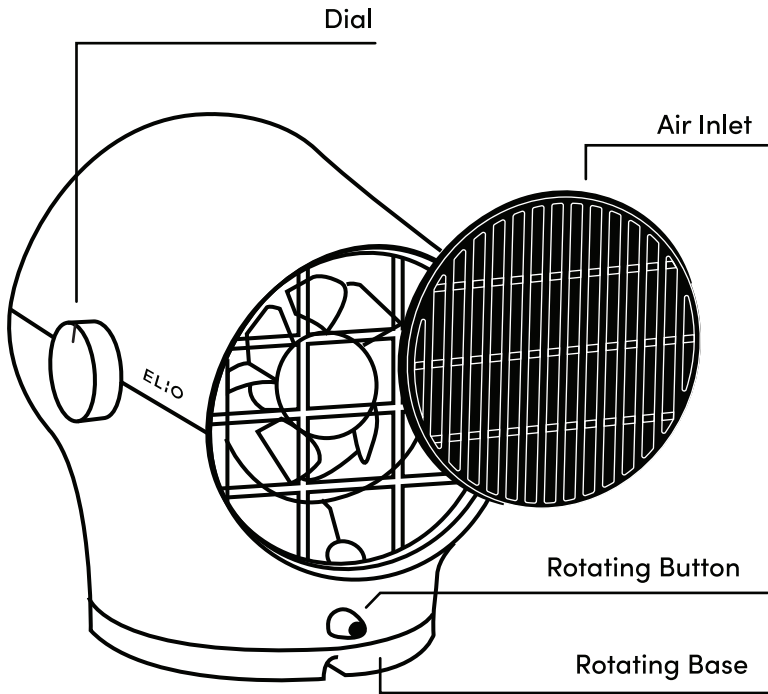
We want to express our deepest thanks for choosing Alex as your ultimate source of exceptional comfort and warmth. Our state-of-the-art 2-in-1 heating and fan system has been meticulously designed to anticipate your every need, whether you're navigating a busy corporate environment, immersed in the captivating pages of a book, or enjoying moments of pure relaxation. Your choice of Alex reflects our unwavering commitment to providing you with comfort that knows no bounds and adaptability beyond compare. Thank you for making us your preferred choice!

DEVICE LAYOUT

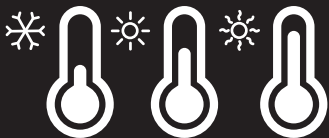


INCLUDES:





FEATURES



3 TEMPERATURE SETTINGS

The dial allows you to choose from Natural Wind, Low Heat, and High Heat.



60-DEGREE OSCILLATION

Alex's 60-degree oscillation eliminates cold spots for uniform comfort.



TRIPLE SAFETY PROTECTION

Alex will automatically turn off if it overheats, if temperatures rise too quickly, or if the fan falls over.



3-SECOND FAST HEATING

Enjoy a warming effect instantly with the simple turn of the dial.





LET'S BEGIN

- 1 / The dial will be in the "O" position and the indicator light will be off to indicate that the device has not been turned on yet.
- 2 / To start Alex, place the device on a flat surface and plug it into a wall outlet (220-240V~, 50-60Hz).

Note: We recommend displaying it on a table or countertop.

USING ALEX

- 1 / To turn Alex on, simply rotate the dial to your preferred temperature setting.
Note: The indicator light will turn on which indicates that the device is on.
- 2 / Press the "rotating button" on the back of Alex to start the 60-degree oscillation feature.
- 3 / Alex is designed for spot heating and not intended to be the main source of heat during the cold season.

-  Power Off
-  Natural Wind Setting
-  Low Heat Setting
-  High Heat Setting

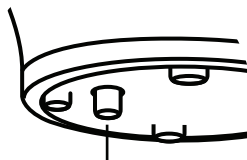


SAFETY TIPS:

OVERHEATING PROTECTION

TIP-OVER PROTECTION

The Tip-Over Detector is designed to turn the power off or put Alex on standby mode, if Alex accidentally gets tipped over. Position Alex back into place, and the device will power back on and resume operation.



Tip Over Detector

⚠ When Alex is used for the first time, odors are normal due to the manufacturing process. Alex may be burning off the factory coating and the oil droplet on the heating element. Rest assured, this will quickly dissipate, and should not re-occur after the first use.

CLEANING AND MAINTENANCE

- 1/ Before cleaning, turn off and unplug the device.
- 2/ Wipe the exterior surface of the device with a slightly damp cloth.
- 3/ Dry the exterior thoroughly with a soft dry cloth before operating the
- 4/ device.

To clean the Air Inlet located on the back of the device, use a pressurized air can or a compressed air duster. Canned air easily cleans dust off surfaces such as sensitive electronics in which moisture is not desired. Do not

- 5/ attempt to remove the Air Inlet.

Store the device in a clean and dry place when not in use.



WARNINGS

- This device is for household indoor use only.
 - Keep this product away from young children and pets.
 - Do not insert foreign objects into the device.
 - This fan device is not waterproof. To protect against electrical hazards, keep away from water.
 - Unplug the device by grasping the plug and pulling it gently from the outlet. **DO NOT YANK THE CORD.**
 - Avoid placing it directly below an outlet and ensure that no other devices are plugged into the same circuit as your heater to avoid overloading the circuit.
- Always check for loose connections between the device's plug and the
- electrical outlet. Once overlooked, this may cause the plug to overheat. To avoid overheating, do not cover the device at all times.

- Do not leave it unattended for long periods of time (for example - several weeks in an unoccupied summer cottage).
- Unplug when not in use.
- Be cautious of hot parts or surfaces, as they might cause burns. Particular attention has to be given where children and vulnerable people are present.
- This product should be recycled or disposed of as per state or local guidelines. Contact local authorities for information regarding the collection systems available to prevent environmental and health risks.

HERE TO HELP

We pride ourselves on providing premium gadgets which is why all of our products are backed by a 12-month warranty. If you have any questions or need further assistance, you can send us an email, connect with us on Live Chat or give us a call! Our friendly support team is here to help.

 **1.800.285.0183**  **support@fancii.com**

fancii