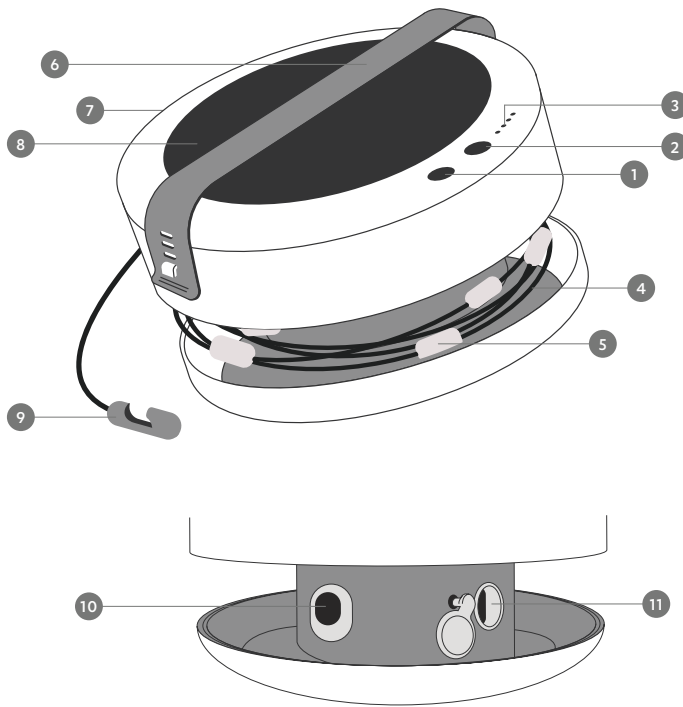


**Luci Solar String
Lights + Power Hub:
44 ft White LEDs**

Instruction manual

MPOWERD®

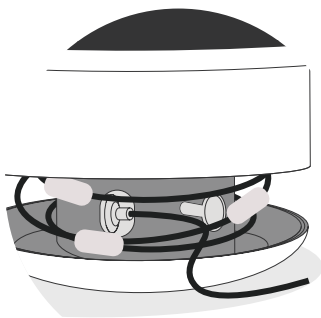
Getting to know Luci



1. Power button
2. Battery level indicator button
3. Battery level indicator
 - 1 light = 0-20%
 - 2 lights = 21-40%
 - 3 lights = 41-60%
 - 4 lights = 61-100%
 - Red light = solar charging
4. Nylon-braided cord
5. Shatterproof bulbs
6. Adjustable strap
7. Built-in USB ports (exterior side)
8. Solar panel
9. Hook clip
10. USB Storage Slot
11. USB Power Port

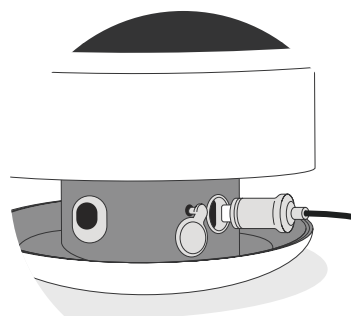
Not shown: At the end of the string is the USB plug

Interior USB ports



Inside the Power Hub are 2 USB slots (see 10 & 11 above). The USB Storage Slot is for protection of the USB plug when the string is wrapped inside the Power Hub. Storing it in here stops the USB plug from fraying and allows you to wind the string easier.

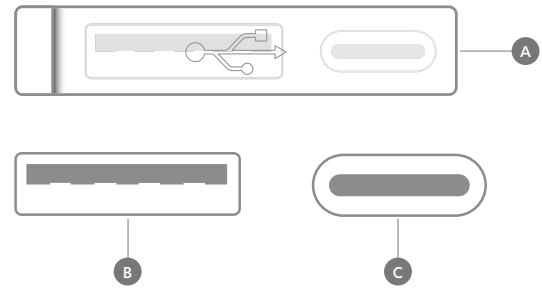
IMPORTANT: When receiving your light, the string will be placed in the USB Storage Slot. This means your light WILL NOT TURN ON UNTIL THE USB PLUG IS MOVED INTO THE USB POWER PORT.



In order for the lights to turn on, the USB plug needs to be inserted into the USB Power Port. Once the plug is inserted, push the power button, and your string lights will shine!

Exterior USB Ports

- A. Lift cap to reveal ports
- B. USB-A port to charge other devices
- C. USB-C to charge Solar String Lights + other devices



Charging

Charge via solar

- With solar panel side up, place in direct sunlight for a full charge.
- Press battery level indicator button at any time to check battery level. See illustration on previous page for more info.

Charge via USB-C

- If your light is not in close proximity to a power source, you can simply remove the Power Hub and leave your string set up. To detach, remove the USB plug from the USB Power Port, and then transport your Power Hub to your outlet.
- Insert the USB cord provided into the built-in USB-C port on the unit exterior, and then insert the other end into a USB outlet for 3-5 hours.
- Ensure the cord is firmly in position and check that the Battery Level Indicator lights are flashing - this means it's charging.
- When charged, take Power Hub back to the string lights, and connect the USB plug back into the USB Power Port.

Charging devices

- Simply insert your charging cable at the USB end into one of the USB ports on the light (USB-A or USB-C), and then plug the other end of the cable into your device. Power up!

How to use

Twist

- Holding the top and bottom of the unit with each hand, twist to open and reveal string lights.

Unravel and string up

- Locate the hook clip at the end of the string and unravel to desired length.
- Once unraveled, thread string through the opening notch, and close unit.
- To string up, simply wrap the end of the string around something and affix the hook clip to secure. There is a hook clip at the end of the string, and 2 more spread throughout.

String up and shine

- Ensure that the USB is plugged into the USB Power Port and NOT the USB Storage Slot
- Press power button to turn unit on.
- 1 click for low mode, 2 clicks for medium, 3 clicks for high, 4 clicks to turn off, or hold for 2 seconds at any time to turn off.

Frequently asked questions

How do I turn my Solar String Lights on for the first time?

To use your String Lights, simply twist open the Power Hub, unravel the lights, and then move the USB plug on the string from the USB Storage Slot to the USB Power Port inside the unit (see first page for more detailed illustration). After this, press the power button to turn on!

Why are there 2 different USB slots inside the Power Hub?

Inside the Power Hub you'll find the USB Storage Slot, and the USB Power Port. The USB Storage Slot is for the protection of the USB plug when the string is wrapped inside the Power Hub. Storing it in here stops the USB plug from fraying and allows you to wind the string more easily. The USB Power Port is where the cord needs to be inserted for your light to turn on (this is where it connects to the circuit).

IMPORTANT: When receiving your light, the string will be placed in the USB Storage Slot. This means your light **WILL NOT TURN ON UNTIL THE USB PLUG IS MOVED INTO THE USB POWER PORT**. In order for the lights to turn on, the USB plug needs to be inserted into the USB Power Port.

What is the red indicator that is always shining on the panel?

The red light indicates that the solar panel is receiving light energy - whether from the sun or artificial light. Yes, technically even incandescent lights can charge solar panels! However, this light is typically not strong enough to charge your String Lights effectively, so we don't recommend charging your lights this way. Stick to USB or solar charging, and you'll be ready to shine!

Are these lights dimmable?

Our Solar String Lights are not dimmable, but they do have 3 convenient modes - low at 20 lumens, medium at 70 lumens and high at 140 lumens.

Are the bulbs shatterproof?

Yes, the bulbs are super durable. This product was built to live outside and take knocks, accidental stomps, or even the occasional cooler drop.

How do I charge my String Lights via USB?

To charge your light via USB, insert one end of the provided USB cable into the exterior USB-C port, and the other into your power source (electrical socket, etc). Ensure it's firmly in position and check that the Battery Level Indicator lights are flashing - this means that the light is charging.

How do I detach the Power Hub from the string?

To detach, remove the USB plug from the USB Power Port, and then transport your Power Hub to wherever you need - no need to take down your string setup. To reattach, simply insert the USB plug into the interior USB Power Port, and light up your space!

Will I get two cables for the ports that are on this light?

With this light, you will receive a USB charging cable to charge the Power Hub. To charge your devices, you should use your regular USB charging cable that came with your personal device.

How do I close the unit without the string getting tangled/bunched?

You should ensure that you are coiling the string tightly towards the center of the product. As you are winding it back in, give a gentle nudge and shuffle to the bulbs if they bunch up. Doing this as you go stops over-bunching and allows you to easily close the unit at the end.

Do I have to go through all settings to turn the light off?

Nope, we created a nifty little shortcut to save the extra clicks. Simply hold down the power button for 2 seconds at any time to power off the light.

What's the best way to tie the end of the string?

Along the string, there are 3 little spherical parts with an inverted hook; we call them Hook Clips, and this is for the string to slot into. In order to tie the string around something, wrap the string around a branch, for example, and then slot the string into the inverted hook. This will hold it in place for your lights to hang wherever you want them.

Frequently asked questions

What is direct sunlight?

Direct sunlight means that the sun's light is directly hitting the solar panel. For example, if you were standing outside under the sun with nothing obstructing you and the sun, then you would be in direct sunlight. If you were standing inside, you would be getting indirect sunlight but no direct rays from the sun. Solar panels always need direct sunlight to charge. If in doubt, think of it this way; if you were Luci and you were able to directly see the sun, then you would be in direct sunlight!

It's cloudy, will my light still charge?

Yes, but it will charge at a slower rate than on a bright, clear day. As your Luci charges via the red and violet frequencies of visible light, the charge times will vary based on the UV index or overcast skies. Generally speaking, the higher the UV index, the faster the charge.

Will my light charge under indoor lighting?

The sun generates significant red and violet frequencies (which charge your Luci), whereas your ordinary indoor lights emit a tiny fraction of that UV. We recommend you go straight to the source and put your Luci directly in the sunlight from a windowsill or, for the best results, outside! Luci is durable and completely waterproof.

Can I charge your products from my car dashboard?

We advise against charging on a car dashboard. On a hot summer day, your car dashboard can reach temperatures of up to 160°F (71°C) which exceeds the temperature limit of our products - 122°F (50°C).

Can my light be left outside in the rain?

Yes! It can be left out in the rain but we wouldn't recommend leaving it out in strong rain storms for extended periods or submerging it in water.

What's the difference between charging the light via USB or the solar panel?

Speed! Charging via USB is ~6x faster than via solar due to the input power. Whether charging via solar or USB however, the outcome remains the same - a full battery charge. Our advice is to charge via solar for a natural source of power, but if you're in a pinch, charge via USB.

Can I use my String Lights + Power Hub while recharging it at the same time?

Yes, absolutely! However, for optimal charging we recommend charging the Power Hub fully before use. This way the battery will charge quicker and be ready to light up your space sooner! If charging while using the lights, the battery will gradually deplete.

Can I charge a device and use my light at the same time?

Yes, we love multitaskers! You should be aware though, that as you're charging your device, you are depleting the battery in the light. We recommend checking the battery level of the light frequently to make sure that you have enough charge to last throughout your activity.

Do the String Lights work if plugged into something other than the Power Hub?

No, unfortunately not. Without being plugged into the Power Hub the String Lights won't be able to turn on.

We're here for you. For the full list of FAQs and troubleshooting, go to mpowerd.com/faq.

MPOWERD®