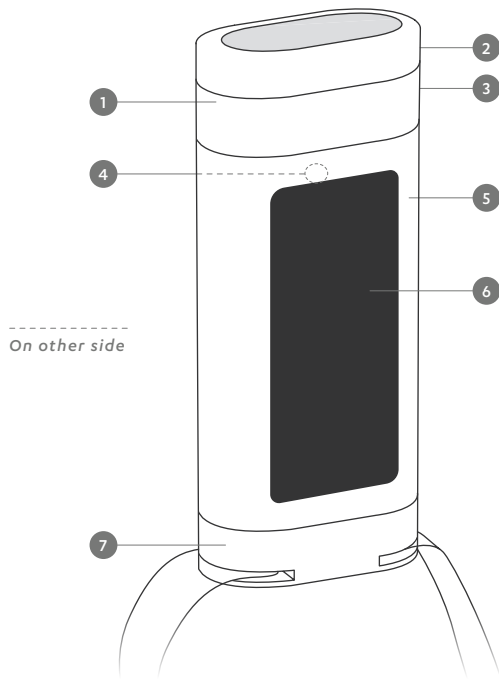


Luci[®] Beam

Instruction
manual

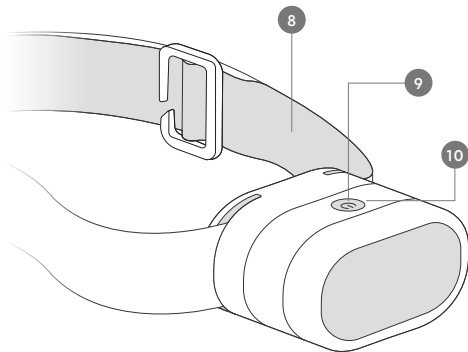
MPOWERD[®]

Getting to know Luci



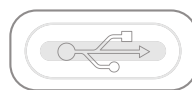
On other side

1. Headlamp body
2. Adjustable 90° Pivot
3. Built-in USB port
4. Flashlight power button
5. Flashlight body
6. Solar panel
7. Headlamp mount
8. Adjustable head strap
9. Headlamp power button
10. Battery level indicator
 - Orange = Charging
 - Green = Fully charged



USB Port

- A. Lift cap to reveal port
- B. USB-C port for charging the light



A



B

Charging

Charge via solar

- With solar panel side up, place headlamp in direct sunlight for up to 8 hours for full charge.

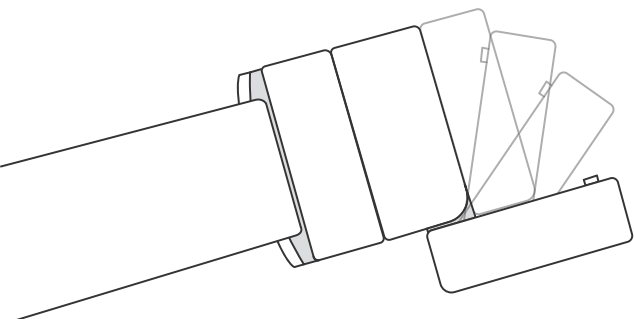
Charge via USB

- Insert the USB cord provided into the USB port on the headlamp, and then insert the other end into a USB outlet for 2 hours.
- Ensure the cord is firmly in position and check that the battery level indicator light is on - this means it's charging.
- Battery level indicator will illuminate orange while charging via USB, and will change to green once fully charged.

General charging note: Both the Headlamp and Flashlight body contain built-in rechargeable batteries. While the USB port is on the headlamp body, this will charge both the Headlamp and Flashlight. The same applies for charging via the solar panel. The flashlight battery also has the capability to charge the headlamp battery. To do this, connect the Headlamp to the Flashlight, and hold the flashlight power button for 3 secs. The headlamp battery level indicator will light up to inform you that it's charging.

90° Pivot

Shine straight ahead, position the beam facing downwards, or anywhere in between with the Adjustable 90° Performance Pivot. To adjust, simply open the pivot from the top and tilt to your desired length.



How to use

Headlamp configuration

- Detach the headlamp body and headlamp mount from the flashlight body.
- Connect the headlamp body and headlamp mount together, and voila!
- To shine, simply press the headlamp power button. 1 click for white low mode, 2 clicks for white medium, 3 clicks for white high, 4 clicks for white flashing, 5 clicks for red low mode, 6 clicks for red high, 7 clicks for red flashing, 8 clicks to turn off, or hold for 2 seconds at any time to turn off.

Flashlight configuration

- Simply reconnect the headlamp body and mount to the flashlight body and you have your flashlight!
- To shine, simply press the flashlight power button. 1 click for white low mode, 2 clicks for white medium, 3 clicks for white high, 4 clicks for white flashing, 5 clicks for red low mode, 6 clicks for red high, 7 clicks for red flashing, 8 clicks to turn off, or hold for 2 seconds at any time to turn off.

Power buttons

- With the 2 built-in batteries in the headlamp and flashlight, you truly have 2 products in one. While using the flashlight you should use the flashlight power button; however, if the flashlight battery is depleted, you can use the headlamp power button while still in the flashlight configuration (providing headlamp battery has power). If your headlamp is out of charge, simply use the flashlight configuration with the flashlight power button.

Frequently asked questions

What is direct sunlight?

Direct sunlight means that the sun's light is directly hitting the solar panel. For example, if you were standing outside under the sun with nothing obstructing you and the sun, then you would be in direct sunlight. If you were standing inside, you would be getting indirect sunlight but no direct rays from the sun. Solar panels always need direct sunlight to charge. If in doubt, think of it this way; if you were Luci and you were able to directly see the sun, then you would be in direct sunlight!

It's cloudy, will my light still charge?

Yes, but it will charge at a slower rate than on a bright, clear day. As your Luci charges via the red and violet frequencies of visible light, the charge times will vary based on the UV index or overcast skies. Generally speaking, the higher the UV index, the faster the charge.

Will my light charge under indoor lighting?

The sun generates significant red and violet frequencies (which charge your Luci), whereas your ordinary indoor lights emit a tiny fraction of that UV. We recommend you go straight to the source and put your Luci directly in the sunlight from a windowsill or, for the best results, outside! Luci is durable and completely waterproof.

Do I need batteries?

Nope. All of our products are solar powered and rechargeable, so no batteries are needed. No more searching the drawer for that second AA!

Can I charge your products from my car dashboard?

We advise against charging on a car dashboard. On a hot summer day, your car dashboard can reach temperatures of up to 160°F (71°C) which exceeds the temperature limit of our products - 122°F (50°C).

Can my light be left outside?

Yes! In fact, our products love being outside in the open. Luci is durable and waterproof. This means you don't need to take cover when it rains on your ride.

What's the difference between charging the light via USB or the solar panel?

Speed! Charging via USB is ~6x faster than via solar due to the input power. Whether charging via solar or USB however, the outcome remains the same - a full battery charge. Our advice is to charge via solar for a natural source of power, but if you're in a pinch, charge via USB.

How long does the headlamp and flashlight last?

On a full charge, the flashlight lasts for 30 hours on low mode, 12 hours on medium, and 4 hours on high. The headlamp lasts for 24 hours on low mode, 6 hours on medium, and 2 hours on high.

How long does it take to fully charge the entire device via USB and solar?

Charging via direct sunlight should take ~8 hours. If you're in a hurry, recharge fully via USB in ~2 hours.

Do I charge the headlamp and flashlight separately? If so, how?

No, the headlamp and flashlight pull power from the same source and are charged together.

Can I use any USB cord or do I need to use the cord provided?

To charge this product via USB, a USB-A to USB-C cord must be used. This is the cord provided in the box, however, if you have the exact same cord, that will work too.

Is the head strap washable?

Yes! Keeping the head strap clean is simple, and can be hand washed or machine washed cold.

We're here for you. For the full list of FAQs and troubleshooting, go to mpowered.com/faq.

MPOWERD®