

CLRDL35 3.5" Recessed LED Retrofit Trims



Project:	
Type:	
Catalog #:	



STANDARD



APPLICATIONS

Ideal for both remodel or new construction applications, our 3.5" LED Retrofit trims are compatible with most 3.5" recessed standard housings. The kit comes with a detachable screw-in base connector for easy installation into standard incandescent sockets.

ILLUMINATION

- Long life LEDs with up to 50,000 hours at 70% lumen maintenance.
- Produces up to 560 lumens output from luminaire at 3000K CCT.
- Uses high power, high quality LEDs.

ELECTRICAL

- Dimmable down to 5% with most dimmers.
- Built-in LED driver with an input voltage of 120V.
- CRI ≥ 90
- Power consumption: 9 watts.

MOUNTING

- Easy installation with adjustable torsion spring.
- Torsion spring is designed to fit into 3.5" housing automatically without changing mounting tab.
- No tools required for installation.

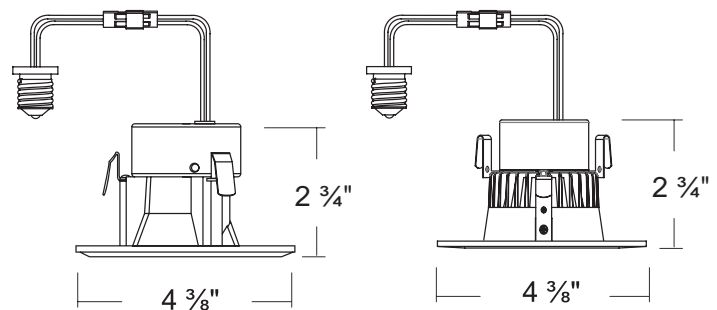
HOUSING

- White painted diecast housing construction.
- Oversized trim ring constructed from one-piece diecast.
- E26 medium screw-base Edison connector provides easy retrofit of incandescent housings.

WARRANTY/LISTING

- Tested in accordance with IESNA LM79 & LM80.
- Energy Star qualified.
- Meets State of California Title 24 requirements.
- Five year warranty on all electronics and housing.
- cULus listed for damp and wet locations (not suitable for coastal/salt water areas).
- Operating temperature of -30°C to 40°C.

DIMENSIONS



ORDERING INFORMATION

MODEL	DESCRIPTION
CLRDL35-930-RND	3.5" LED Round Baffle Retrofit Kit
CLRDL35-930-SQT	3.5" LED Square Baffle Retrofit Kit