

CLDM4 SURFACE LED DOME LIGHT

Project:	
Type:	
Catalog #:	

STANDARD



APPLICATIONS

4" surface dome light solution with integrated LED power supply and thermal management system combined in a single compact unit designed to fit most standard 3", 4" recessed cans, also works in 4" junction box.

ILLUMINATION

- Long life LEDs with up to 50,000 hours at 70% lumen maintenance.
- CCT available: 2700K, 3000K, 4000K, 5000K,
- CRI: 80.
- Produces 700 lumens output.

ELECTRICAL

- Dimmable to 10% with most dimmers.

Lutron Maestro C-L	MACL-153MR
Lutron Skylark C-L	SCL-153P
Leviton Sureslide	Cat.No.6674
Lutron	PD-6WCL
Legrand Harmony	HCL453PTCCCV6

- Save 75% compared to incandescent sources.
- High efficiency driver with a power factor $\geq .90$ with input power of 120V, 50-60Hz.
- Built-in LED Driver.
- Power consumption of 8 watts.
- Operation temperature of -20°C- 40°C (-4°F- 104°F).

MOUNTING

- Easy installation with 3" to 4" recessed cans.
- Cut-off and strip, for 4" junction box mounting, using mounting bracket.



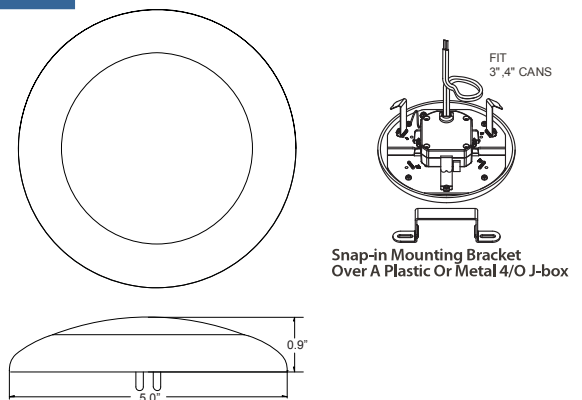
HOUSING

- Surface mount dome used with 3", 4" housings.
- Compatible with insulated, non-insulated, and air-tight ceilings.
- Durable thermoplastic construction.
- E26 medium screw-base Edison connector provides easy retrofit of incandescent housings.

WARRANTY/LISTING

- Tested in accordance with IESNA LM79 & LM80.
- ETL Listed for wet location US and Canada.
- Energy Star certified.
- Passes FCC Class B.
- Meets State of California Title 24 requirements.
- Five year warranty on all electronics and housing.

DIMENSIONS



ORDERING INFORMATION

MODEL	WATTS	CCT	LUMENS
CLDM4-827	8W	2700K	700
CLDM4-830		3000K	700
CLDM4-840		4000K	700
CLDM4-850		5000K	700