

IN-LUBRICATOR OIL LEVEL CONTROLLER WITH SAFETY SWITCH

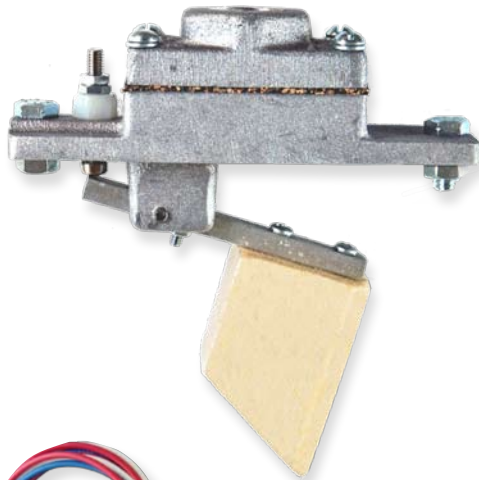
MODEL K507L

The standard valve seat material is Nitrile, but may be ordered as Fluorocarbon for other types of lubrication. A 1/2" FNPT oil inlet connection and 1/2" FNPT conduit connection is standard. An optional conduit connection wire sealing cap is available for applications with no conduit. The switch is case-to-ground and the circuit will remain open until the oil supply from the outside source is empty.



MODEL 507K

The standard valve seat material is a chrome steel ball check. Seal materials are Cork Neoprene and Nitrile. A 1/2" FNPT oil inlet connection is standard. The switch is case-to-ground and the circuit will remain open until the oil supply from the outside source is empty.



MODEL 507M

The standard valve seat material is Nitrile, but may be ordered as Fluorocarbon for other types of lubrication. A 1/2" FNPT oil inlet connection and 1/2" FNPT conduit connection is standard. The switch is S.P.D.T. and can be wired normally open or normally closed.



APPLICATION

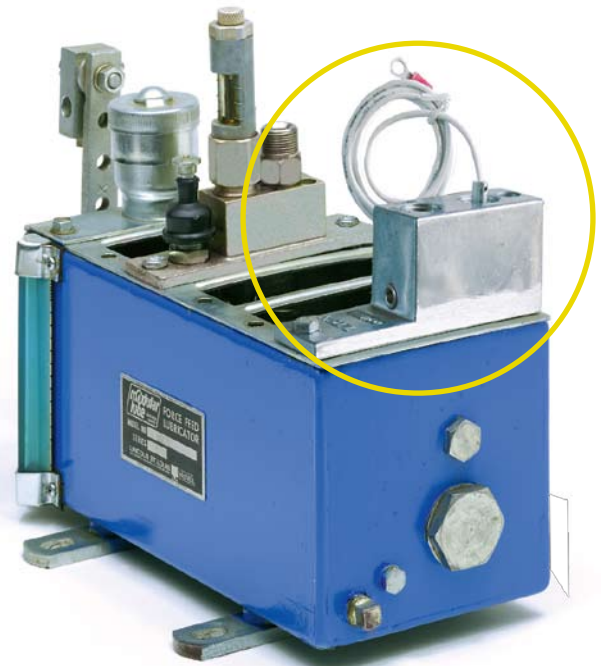
Series 507 Oil Level Controllers are designed for use in Lincoln, Premier, and Mega Lubricators.

OPERATING PRINCIPLE

Series 507 Oil Level Controllers automatically monitor and control the amount of oil in the lubricator housing. This keeps all of the working parts including the pump plungers submerged in oil to reduce wear and corrosion. When the level falls below the operational requirement, the low level safety switch will be activated.

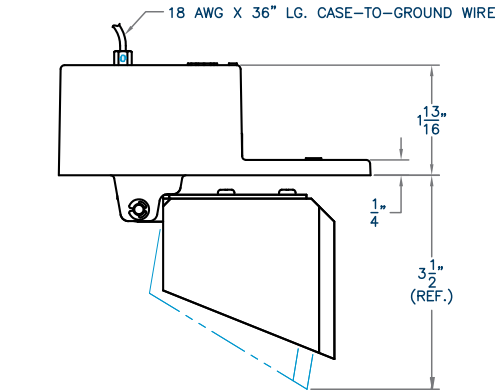
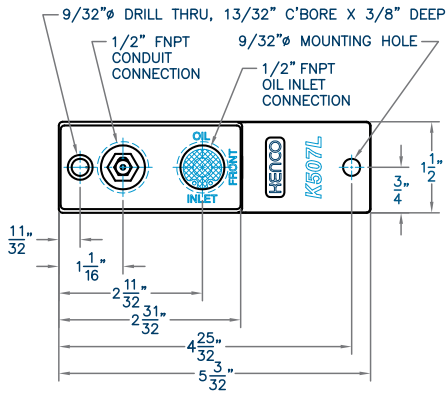
FEATURES

- Valve design eliminates lubricator box overfill due to contaminants in the oil
- Controls oil level in lubricator
- Low level safety switch protects against engine and pump repairs due to lubrication failure
- Non-mercury switch will not react to vibration



Model K507L Shown Mounted

MODEL K507L



K507L

Materials of Construction:

- Controller Housing: Aluminum
- Valve Seat: Nitrile
- Optional Valve Seat: Fluorocarbon
- Valve Orifice: Aluminum
- Float: Closed Cell Polyurethane
- Oil Inlet Screen: 20 Mesh Brass

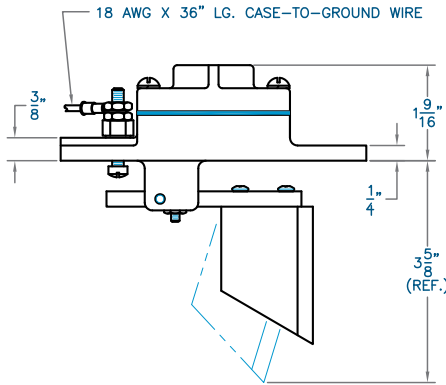
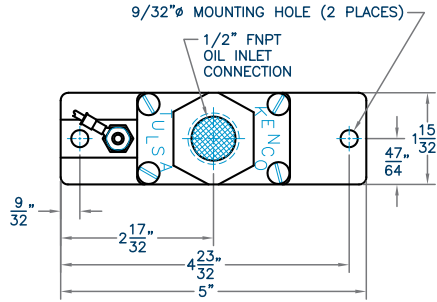
Specifications:

- Switch Trip Point: 3/4" drop in oil level
- Switch Rating: 2 amps, 30 VAC or VDC
- Switch Circuitry: Case-To-Ground
- Electrical Connection: 1/2" FNPT conduit connection with 18 AWG x 36" long wire lead.
- Maximum Temperature: 211° F
- Oil Inlet Connection: 1/2" FNPT
- Oil Inlet Pressure using Standard Orifice: 1' to 14' head of oil
- Flow Rate using Standard Orifice tested at 32° F, SAE 30 oil, 2' head: 1.1413 gallons per hour
- Oil Inlet Pressure using Optional High Pressure Orifice: 5 psig to 60 psig
- Flow Rate using Optional High Pressure Orifice tested at 32° F, SAE 30 oil, 5 psig: 0.6425 gallons per hour

Ordering Information:

- Add suffix "-HP" to model number to designate optional "High Pressure" orifice.
- Add suffix "-V" to model number to designate optional "Fluorocarbon" valve seat.
- Optional Conduit Connection Wire Sealing Cap (shown at right) to be ordered as a separate line item.

MODEL 507K



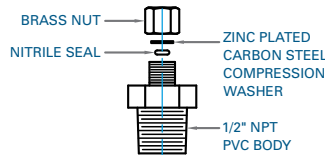
507K

Materials of Construction:

- Controller Housing: Aluminum
- Valve Seat: Chrome Steel
- Valve Orifice: Aluminum
- Float: Closed Cell Polyurethane
- Oil Inlet Screen: 60 Mesh Brass

Specifications:

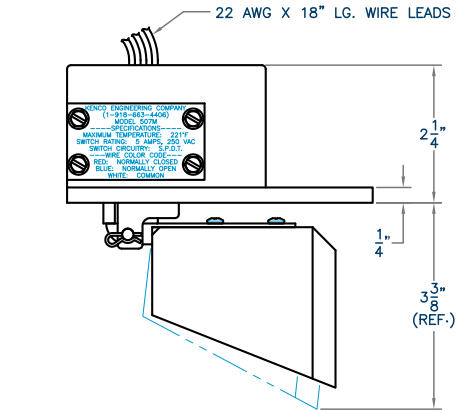
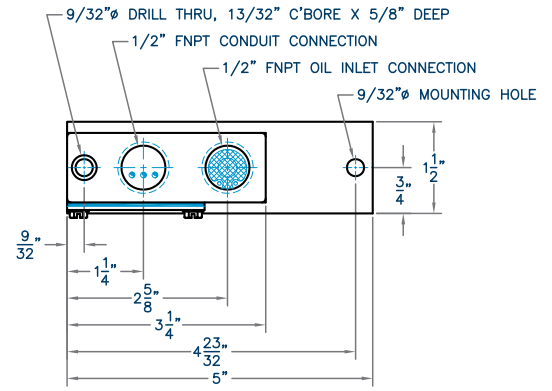
- Switch Trip Point: 3/4" drop in oil level
- Switch Rating: 2 amps, 30 VAC or VDC
- Switch Circuitry: Case-To-Ground
- Electrical Connection: 18 AWG x 36" long wire lead
- Maximum Temperature: 211° F
- Oil Inlet Connection: 1/2" FNPT
- Oil Inlet Pressure: 2' to 5' head of oil



K507L Optional Part:

- 1/2" NPT Conduit Connection Wire Sealing Cap (Kenco Part Number 51006)

MODEL 507M



507M

Materials of Construction:

- Controller Housing: Aluminum
- Valve Seat: Nitrile
- Optional Valve Seat: Fluorocarbon
- Valve Orifice: Aluminum
- Float: Closed Cell Polyurethane
- Oil Inlet Screen: 20 Mesh Brass

Specifications:

- Switch Trip Point: 3/4" drop in oil level
- Switch Rating: 5 amps, 250 VAC
- Switch Circuitry: SPDT
- Electrical Connection: 1/2" FNPT conduit connection with 22 AWG x 18" long wire leads.
- Wire Color Code:
 - Red: Normally Closed
 - Blue: Normally Open
 - White: Common
- Maximum Temperature: 221° F
- Oil Inlet Connection: 1/2" FNPT
- Oil Inlet Pressure using Standard Orifice: 1' to 14' head of oil
- Flow Rate using Standard Orifice tested at 32° F, SAE 30 oil, 2' head: 1.1413 gallons per hour
- Oil Inlet Pressure using Optional High Pressure Orifice: 5 psig to 60 psig
- Flow Rate using Optional High Pressure Orifice tested at 32° F, SAE 30 oil, 5 psig: 0.6425 gallons per hour

Ordering Information:

- Add suffix "-HP" to model number to designate optional "High Pressure" orifice.
- Add suffix "-V" to model number to designate optional "Fluorocarbon" valve seat and seals.