



Technical Datasheet SLM0750XD1SX-S REV. A



DuraBrite Nano Sport Series is the most versatile yet affordable lighting product we have designed to date.

Durabrite fans have been asking for a model that's smaller and more mobile than *The Mini Series*. We at Durabrite take this seriously and the result is the magnificent *Nano Sport*! The design is so good it won the prestigious international design competition – Red Dot Design Award 2020, in the extremely competitive Lighting & Lamps Category.

Nano Sport, like all other Durabrite products, is designed by the same world-class team in New York using the best engineering principles, and spec-ing only the finest materials in its class.

Don't be fooled by its extremely thin profile at just 1.9" and a featherlike weight of merely 2.1lb, *The Nano Sport* can pump almost 7,000 lumens all while drawing such little current it leaves the competition scratching their heads. The available dimming function, the spot/flood option, and the orderable amber optics will provide you the ultimate customization you will ever need.

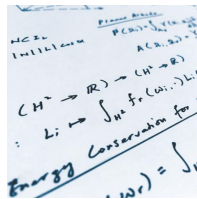
The unique detachable power plug architecture is IP67 waterproof and allows for the industry pioneering *Nano Stack**, which is a modular lightbar that a user can create and customize, and the *Nano Explorer#*, the serious lighting solution with unmatched mobility that is going to revolutionize the world where professional and recreational uses require massive amount of light for exploratory and safety purposes.

Nano Sport is now proudly assembled in New York.

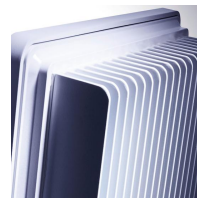
*# Nano Stack and Nano Explorer will be available in 2022. Designs will be backward compatible so existing owners of *Nano Sport* can repurpose their lights to become a Nano Stack or a Nano Explorer from available kits to be purchased separately.



Prestigious Design Award



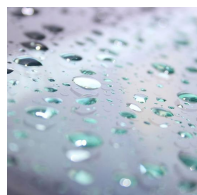
Light Shaping Technology



High Performance Materials



Advanced Venting System



Extreme Weather Resistance



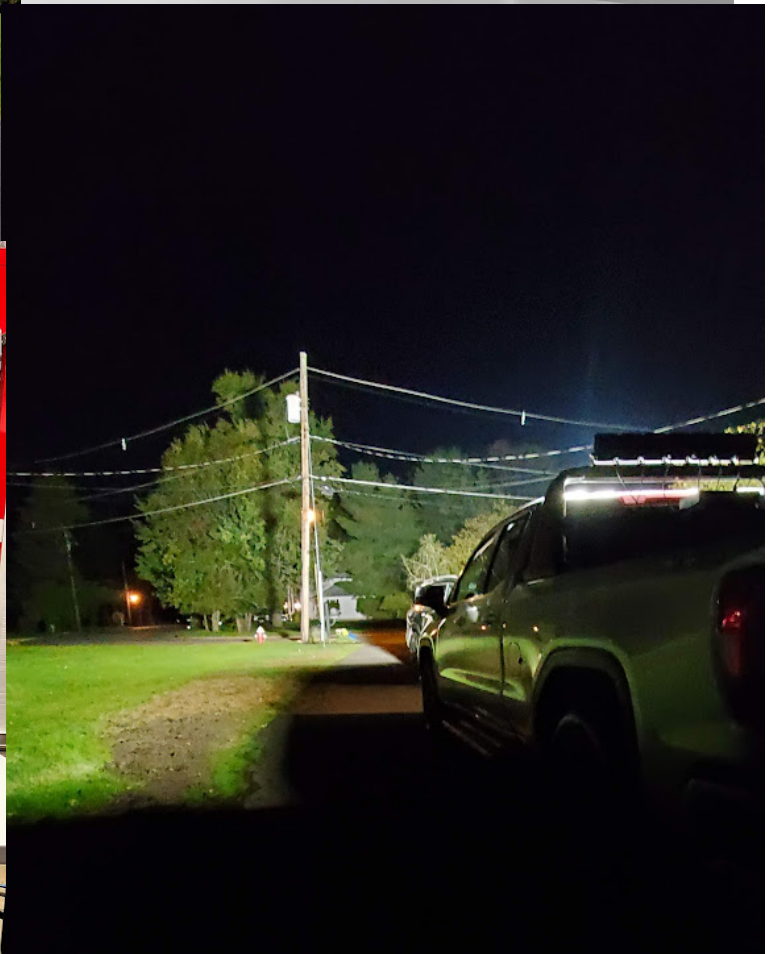
Designed & Assembled In USA

Nano Stack Applications

3-Stacks = 21,000 lumens
(Ref: Mini = 16,670 lumens)

5-Stacks = 35,000 lumens
(Ref: Standard = 35,000 lumens)

7-Stacks = 49,000 lumens
(Ref: Pro = 50,000 lumens)



Nano Explorer Applications



Runtime = 2 hrs min. at full blast



Optical & Electrical Characteristics (All ratings are at 25°C unless otherwise specified)

LED Color, CCT	Typical = 5000K (Neutral white) Lower limit = 4700K; Upper limit = 5300K
Brightness	7,000 lm (raw) Constant regardless of input voltage
Beam Angle	20 deg (Spot) 80 deg (Flood)
Operating Voltage	Auto detect voltages 12VDC, 24VDC, 32VDC
Current Draw	Approx. 1.9A at 24VDC Approx. 3.9A at 12VDC
Total Power Consumption	50W

Mechanical Characteristics

Water Resistance	IP67 (submerged to 3.3ft water for 30min)
Temperature Range	-40°C to 50°C
Vibration Resistance	MIL-STD-202G (TM201A 4 Cycles)

Warranty Terms

We stand behind our products. This product is covered by Durabrite's 2 Year Limited Warranty against material and manufacturing defects. It does not cover application and conditions that are outside of the product design parameters, abuse, and wear-and-tear. Further details can be found on our website at: <https://durabritelights.com/pages/warranty>



Wiring Instruction:

If you have a DC Power Source

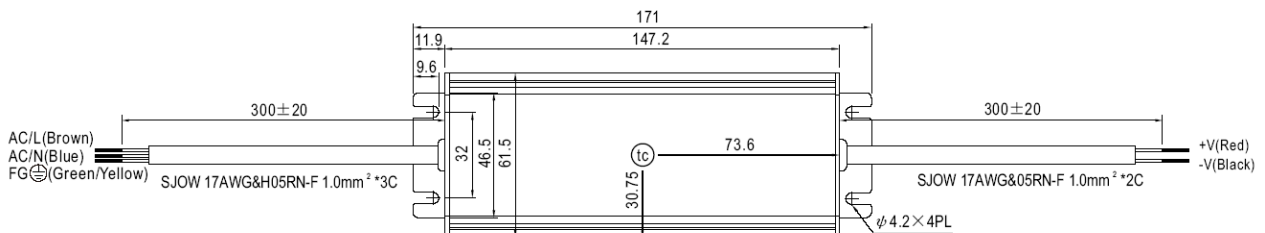
1. This is a DC light, meaning you should only power it directly using a DC source. You probably either have 12VDC or 24VDC. The light will auto detect the DC voltage. You don't have to do anything special if you operate on of these voltages.
2. Connect:
 - a. Positive (our white wire) to Positive
 - b. Negative (our black wire) to Negative
3. All wire connection **MUST BE** protected from water intrusion. Otherwise, damages due to water ingress because of unprotected wire connections will not be covered by our warranty. This includes the power plug connection to the power socket of the light body.

A Note on the Power Plug

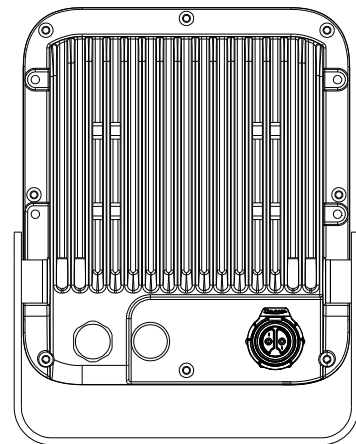
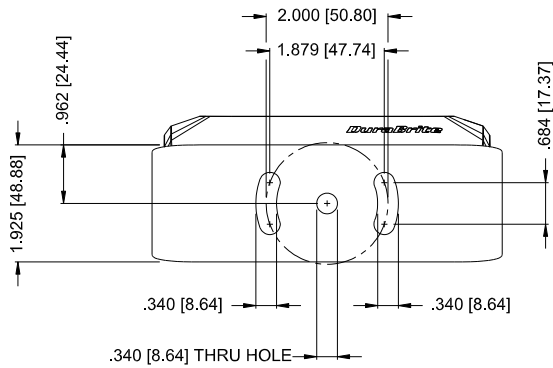
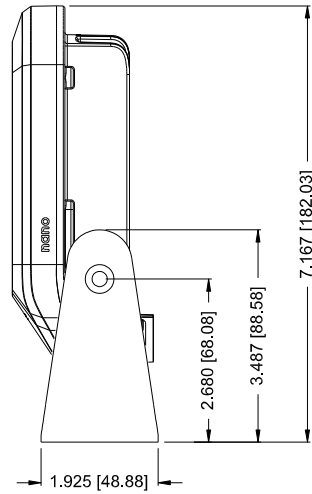
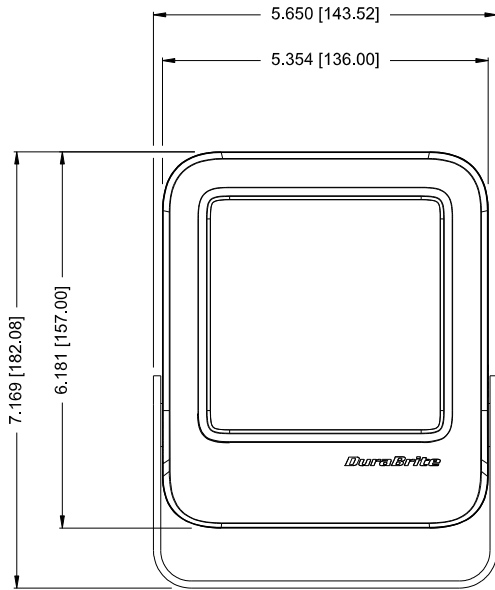
A "click" must be felt when the power plug is pushed and mated correctly and tightly onto the power socket. If you have a light where the rubber cap is tied to the gasket that is placed in between the power socket and the light, make sure you **DO NOT** remove the gasket seal for any reason. This will cause water ingress and will void the warranty.

If you have an AC Power Source

1. STOP NOW !
2. Go to our website and buy the Nano AC Adapter before you start the installation.
3. Use one Nano AC Adapter for EACH Nano light. We do not recommend using a higher power AC Adapter (e.g. the Pro AC Adapter) to power more than one Nano light due to possible unequal current sharing, which may lead to occasional flickering or startup issue.
4. Once the AC adapter arrives, connect:
 - a. Positive (our white wire) to Positive (Red wire on the Output side of the adapter)
 - b. Negative (our black wire) to Negative (Black wire on the Output side of the adapter)
5. Make connection on the Input side of the adapter according to the National Electrical Code or equivalent in your country. The adapter can be powered by either 110VAC and 220VAC.



Mechanical Dimensions & Weight:



Weight: 2.3 pounds
(w/ marine grade aluminum bracket)

MOUNTING BRACKET HOLE TEMPLATE (TO SCALE)

Note: Use spring washers to resist vibration.

