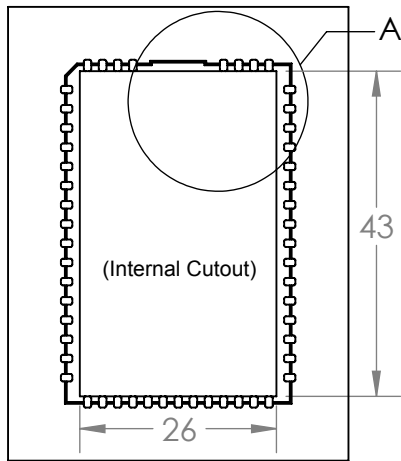
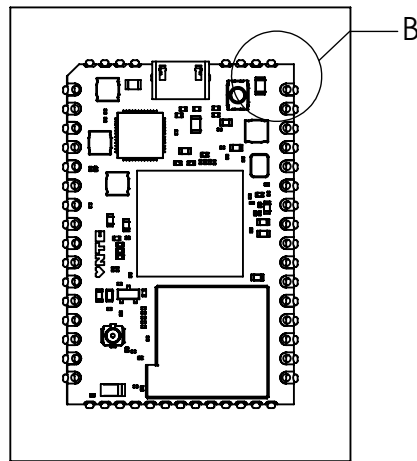


C.H.I.P. Pro Carrier Board - SMT Solder Footprint



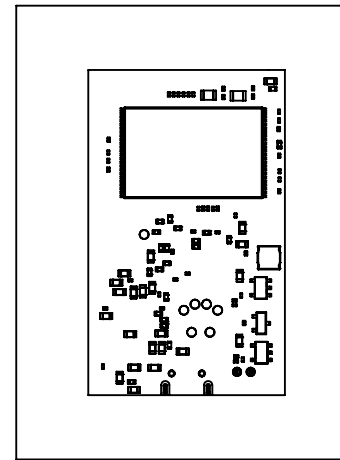
**FOOTPRINT TOP VIEW
(WITHOUT C.H.I.P. Pro)
SCALE 1:1**



**TOP VIEW
SCALE 1:1**



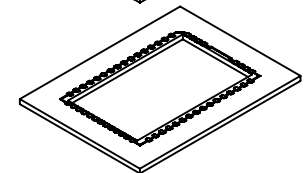
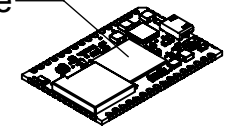
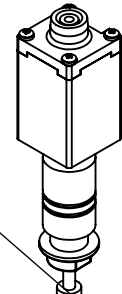
**RIGHT VIEW
SCALE 1:1**



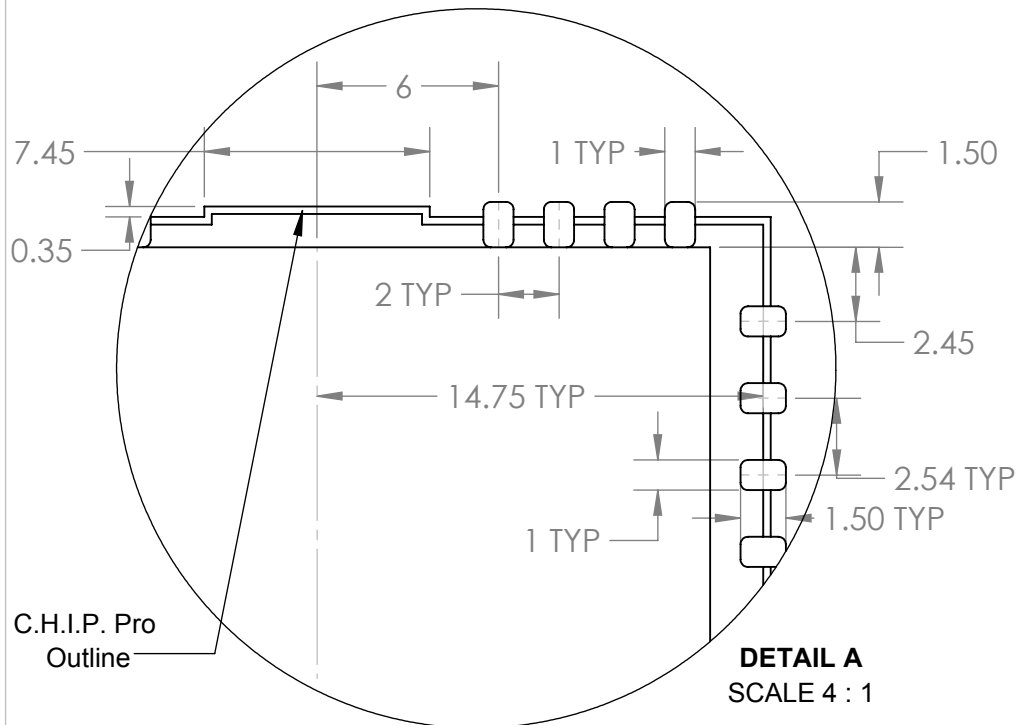
**BOTTOM VIEW
SCALE 1:1**

SMT Nozzle head
inner diameter of
5-8mm.

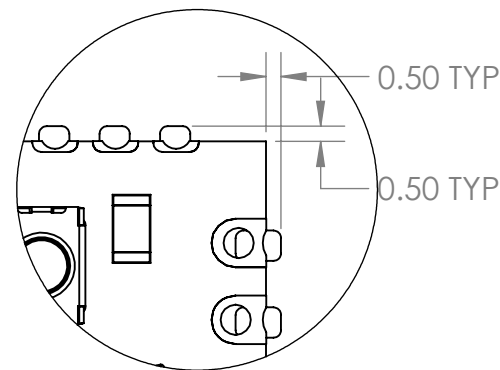
Place C.H.I.P. Pro
using the center of
the GR8 module



**EXPLODED ISO VIEW
SMT NOZZLE PLACEMENT
SCALE 1:2**



**DETAIL A
SCALE 4:1**



**DETAIL B
SCALE 4:1**



TITLE: C.H.I.P. Pro Carrier PCB Footprint

PART NO:
N/A

DATE:
3/16/2017

REVISION:
v0.17

SHEET 1 OF 3

UNITS:
mm

TOLERANCE:
+/- 0.1 mm

CONTACT:

EMAIL:

pro@nextthing.co

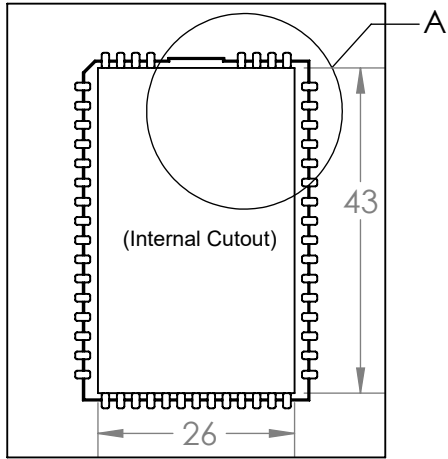
MATERIAL: N/A

FINISH: N/A

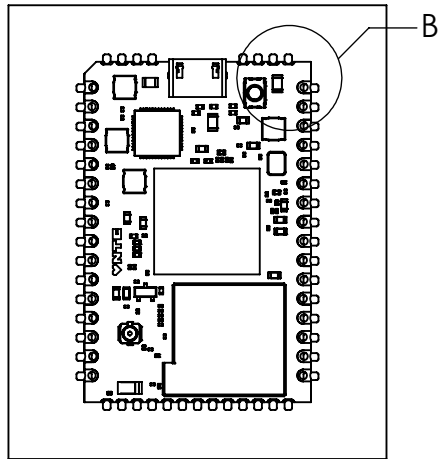
COLOR: N/A

PHONE NO:

C.H.I.P. Pro Carrier Board - Hand Solder Footprint



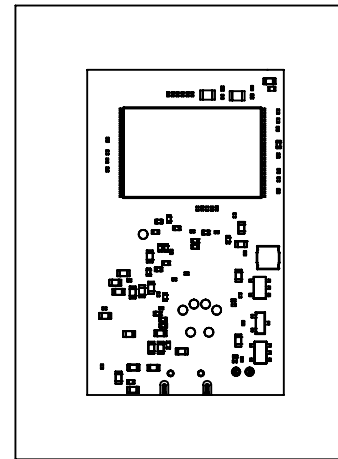
**FOOTPRINT TOP VIEW
(WITHOUT C.H.I.P. Pro)
SCALE 1 : 1**



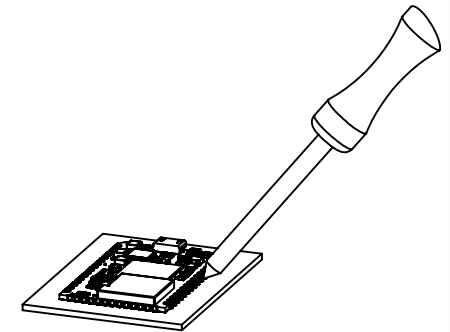
**TOP VIEW
SCALE 1 : 1**



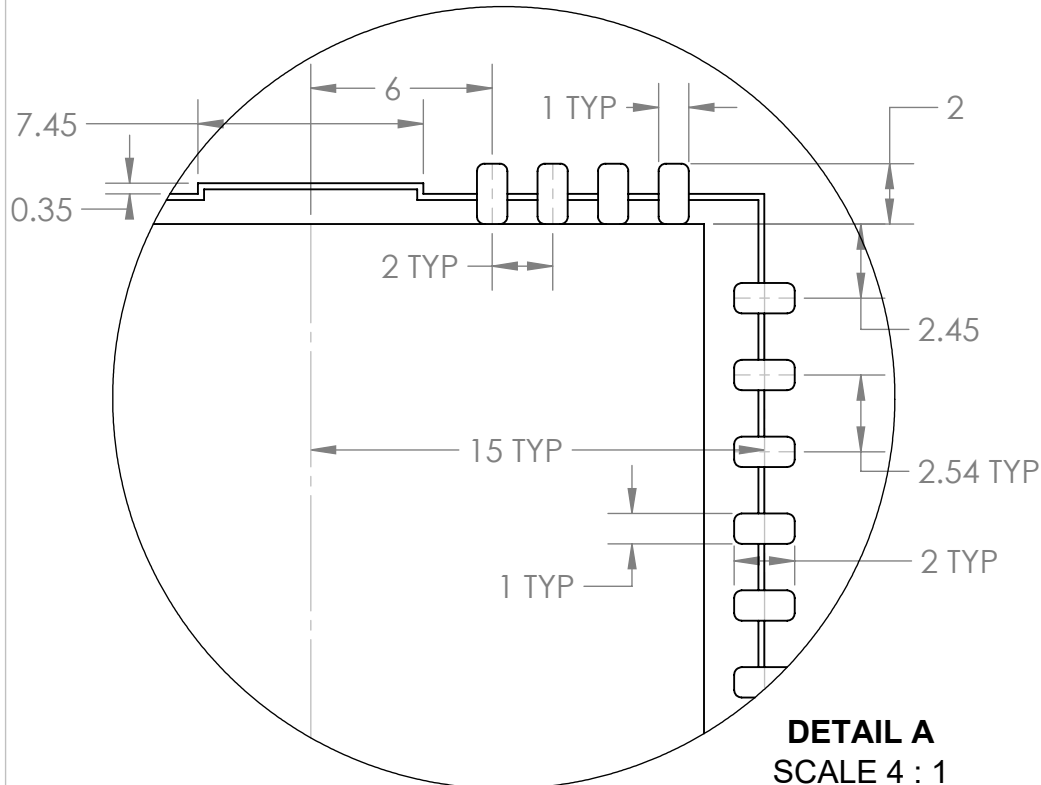
**RIGHT VIEW
SCALE 1 : 1**



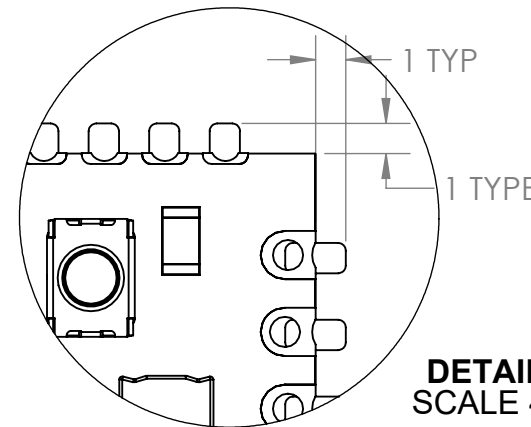
**BOTTOM VIEW
SCALE 1 : 1**



**DIMETRIC VIEW
SCALE 4 : 1**



**DETAIL A
SCALE 4 : 1**



**DETAIL B
SCALE 4 : 1**

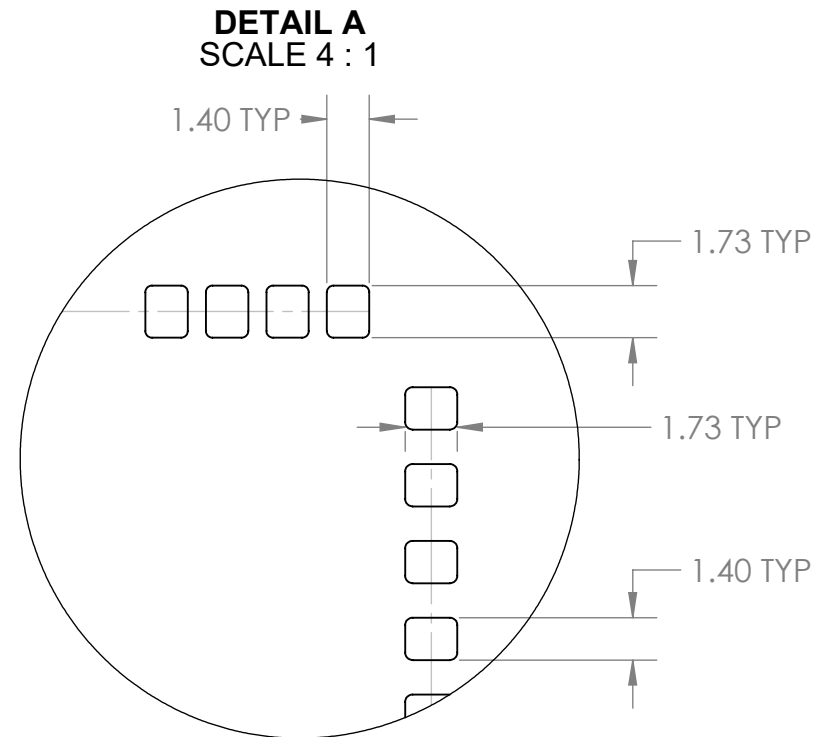
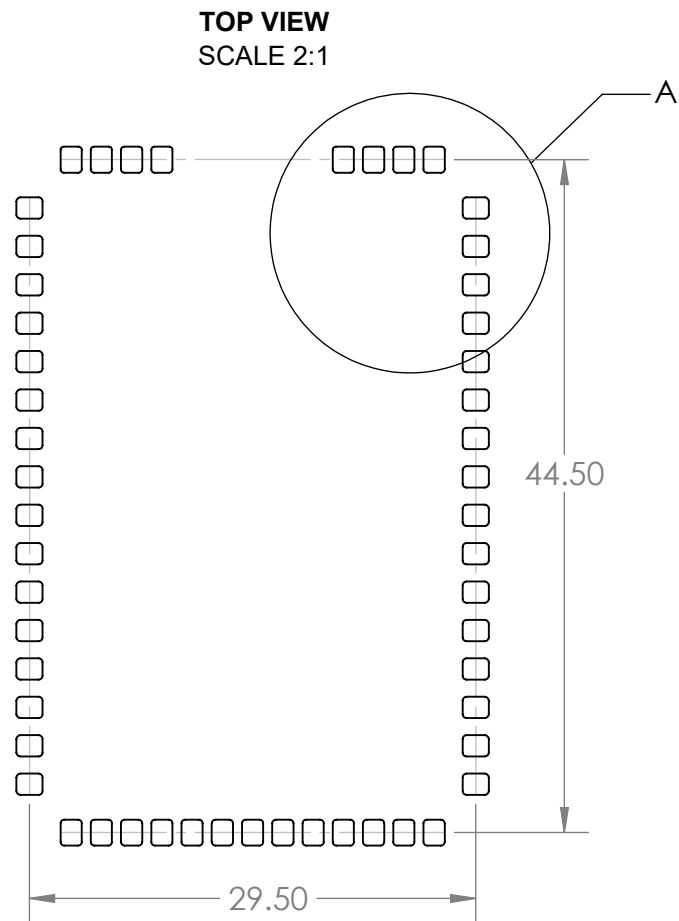


TITLE: C.H.I.P. Pro Carrier PCB Footprint

PART NO: N/A DATE: 3/16/2017 REVISION: v0.17

SHEET 2 OF 3	MATERIAL: N/A
UNITS: mm	FINISH: N/A
TOLERANCE: +/- 0.1 mm	COLOR: N/A
CONTACT:	PHONE NO:
EMAIL: pro@nextthing.co	

C.H.I.P. Pro Carrier PCB Stencil Cutout



		SHEET 3 OF 3	MATERIAL: N/A
		UNITS: mm	FINISH: N/A
		TOLERANCE: +/- 0.1 mm	COLOR: N/A
		TITLE: C.H.I.P. Pro Carrier PCB Stencil	CONTACT:
PART NO: N/A	DATE: 3/16/2017	REVISION: v0.17	EMAIL: pro@nextthing.co