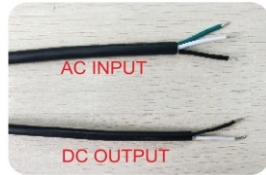


# 250W

# LED Triac dimmable Power Supply

1 of 3



FG/  $\perp$  (Green)  
 AC/N(White)  
 AC/L(Black)  
 +V(White)  
 -V(Black)

## Features :

- Ip67 design for indoor or outdoor installations
- Protections: Short circuit / Overload/Over temperature
- Cooling by free air convection
- 100% full load burn-in test
- Optional dimming method: TRIAC dimmable
- Meet the standard of world lighting safety
- Suitable for LED lighting
- Products through CE, RoHS,UL Certification



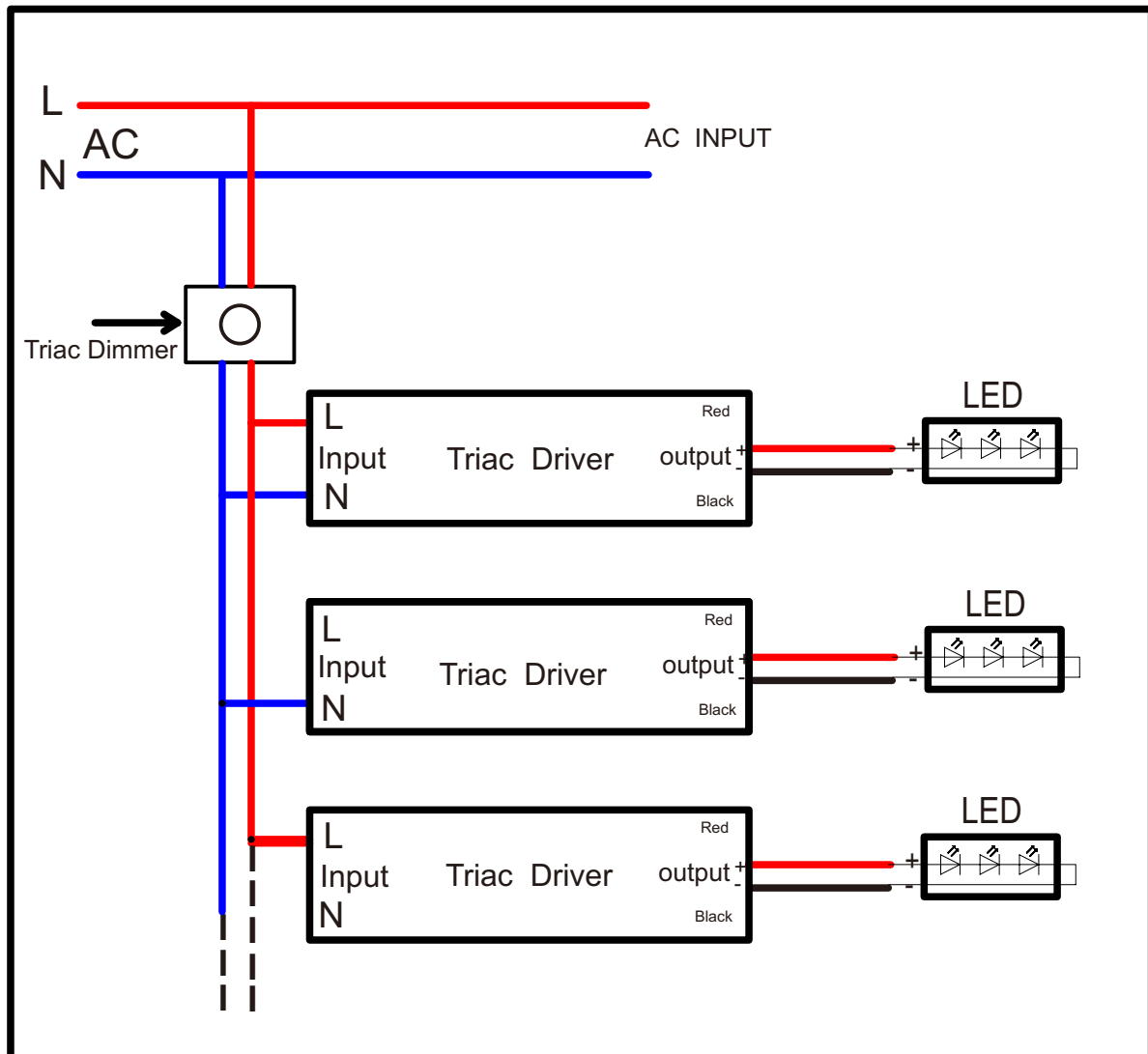
**IP67 CE RoHS**

## SPECIFICATION

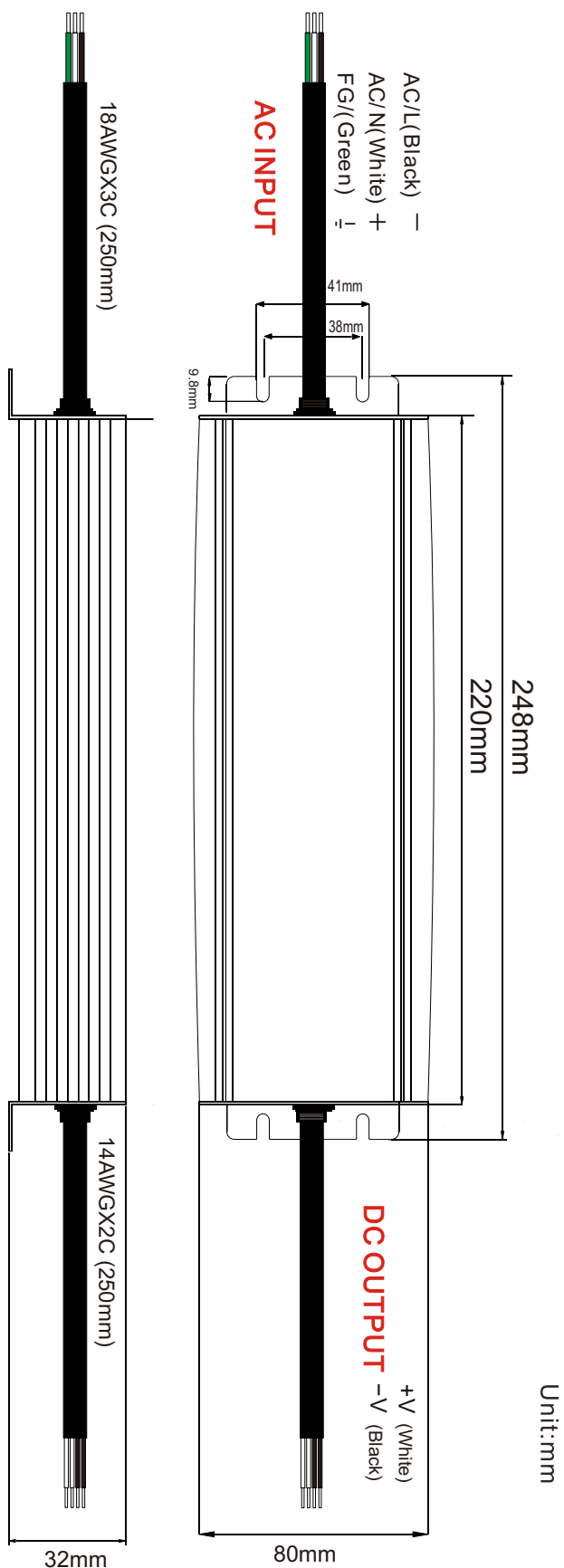
MODEL		YSD-12250-DTL	YSD-24250-DTL			
OUTPUT	DC VOLTAGE	12V	24V			
	RATED CURRENT	20.8A	10.4A			
	CURRENT RANGE	0~20.8A	0~10.4A			
	RATED POWER	250W	250W			
	RIPPLE & NOISE (max.) <sup>NOTE 2</sup>	200mV	250mV			
	VOLTAGE TOLERANCE <sup>NOTE 3</sup>	±2%	±1%			
	LINEAR REGULATION	±1%	±1%			
	LOAD REGULATION	±2%	±2%			
INPUT	VOLTAGE RANGE	170~250VAC				
	FREQUENCY RANGE	50 ~ 60Hz				
	POWER FACTOR (Typ.)	PF>0.6/220VAC				
	EFFICIENCY (Typ.)	90%	90%			
	AC CURRENT (Typ.)	4A/220VAC				
	INRUSH CURRENT (Typ.)	COLD START 120A/220V				
PROTECTION	Short circuit	Protection type : recovers automatically after fault condition is removed				
	Overload	overload protected @ 110-130% above peak rating				
	Over temperature	Protection type : Shut down o/p voltage, re-power on to recover				
ENVIRONMENT	WORKING TEMP.	-30 ~ +50°C (Refer to output load derating curve)				
	WORKING HUMIDITY	20 ~ 99% RH non-condensing(Waterproof)				
	STORAGE TEMP., HUMIDITY	-40 ~ +80°C , 10 ~ 99% RH				
SAFETY & EMC	SAFETY STANDARDS	CE Mark (LVD) , IP67				
	WITHSTAND VOLTAGE	I/P-O/P:1.5KVAC I/P-GND:1.5KVAC				
	EMC Test Standards	EN55015:2013;EN61547:2009; EN61000-3-2:2014; EN61000-3-3:2013				
NOTE	<p>1. All parameters NOT specially mentioned are measured at 220V AC input, rated load and 25°C of ambient temperature.</p> <p>2. Ripple &amp; noise are measured at 20MHz of bandwidth by using a 12" twisted pair-wire terminated with a 0.1uf &amp; 10uf parallel capacitor.</p> <p>3. Tolerance : includes set up tolerance, line regulation and load regulation.</p>					

## Dimming instructions and connection diagram

- 1).Adjustable photoelectron driver; one dimmer can drive multiple power supplies ; and the numbers are decided by the dimmer maximum load capacity. the positive and negative of dimmer should be connected to positive and negative of the power supply's dimming. terminals ,Regulating the dimmer will produce a kind of 0-10V signal to power supply,then changing the luminous flux of the lamp.
- 2).regulationsDimming operationTandem triac dimmer before input terminals AC, then adjust the output constant current value



## Mechanical Specification



## Others

DIMENSION	248X80X32 (mm) (L×W×H)
CARTON QUANTITY	10 PCS/Carton
CARTON SIZE	455x260x115 (mm)
WEIGHT	1380g/pcs

## Derating Curve

