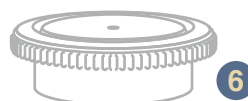
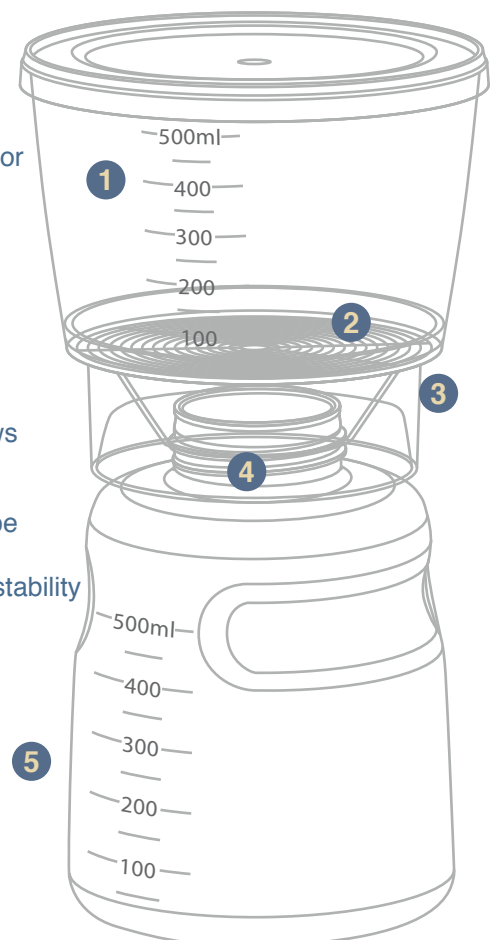


- **Autofil SS** is available as a complete system or funnel only
- Funnel is compatible with GL45 thread bottles
- **Autofil SS** units include adapter for connecting to vacuum hose
- **Autofil SS** design includes an ergonomic bottle shape with molded finger grips
- **Autofil SS** patented SECUREgrasp cap provides a convenient gripping surface with a frosted area for labeling
- Made with USP Class VI materials
- Manufactured in a Class 100,000 cleanroom
- Manufactured in an ISO 13485 Facility in North America
- Optional patented docking hardware sold separately

The patented, next generation **Autofil SS** features the new High Flow Foxx Velocity 0.2µm PES membrane. Perfect for filtering FBS and other viscous solutions. Our membrane is low protein binding and surfactant-free. **Autofil SS** is available in 250ml, 500ml, and 1000ml complete units or funnel only bottle-top filters. All units are sterile and manufactured from USP Class VI polystyrene in an ISO 13485 clean room, FDA regulated facility.

Autofil SS is compatible with the patented **Autofil Pedestal** and **Cradle Ring**. These optional docking stations allow for hands free filtering and provide a stationary vacuum hose connection, allowing for efficient set-up and quick use while preventing spills and tissue culture hood contamination.

- 1 Forward-facing, large, raised graduation marks for easy reading
- 2 Features NEW High Flow Foxx Velocity 0.2µm PES membrane
- 3 Optional Patented Quick-Connect Pedestal base or Cradle Ring allows for hands-free filtration
- 4 Features GL45 thread type
- 5 Wide base for additional stability
- 6 Patented SECUREgrasp bottle cap technology



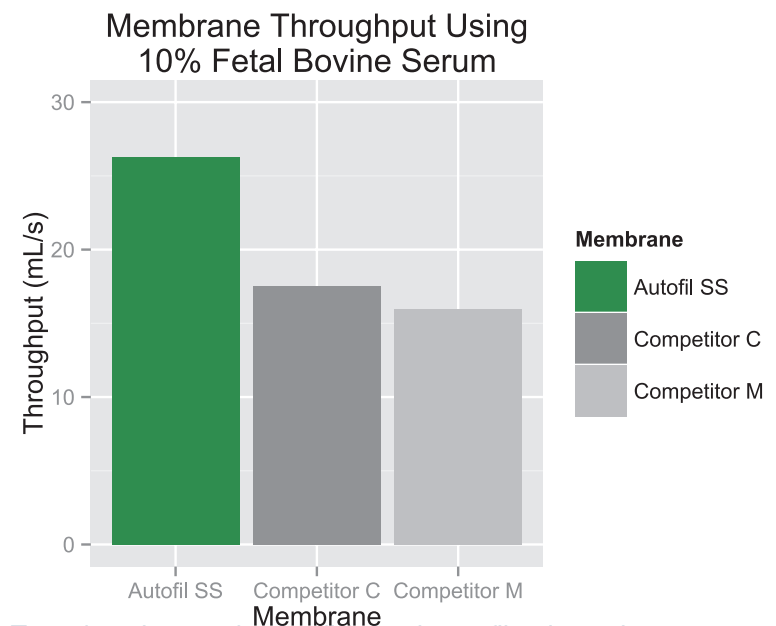
ISO 9001
ISO 13485



	Item Number	Volume	Membrane Pore Size	Filter Diameter	Description
Full Assembly	116-7233-RLS	250mL	0.2µm PES	66mm	250mL Full Assembly 0.2µm PES, 12/pk
	116-8233-RLS	500mL	0.2µm PES	90mm	500mL Full Assembly 0.2µm PES, 12/pk
	116-9233-RLS	1000mL	0.2µm PES	90mm	1000mL Full Assembly 0.2µm PES, 12/pk
Funnel Only	116-1233-RLS	250mL	0.2µm PES	66mm	250mL Funnel Only 0.2µm PES, 12/pk
	116-2233-RLS	500mL	0.2µm PES	90mm	500mL Funnel Only 0.2µm PES, 12/pk
	116-3233-RLS	1000mL	0.2µm PES	90mm	1000mL Funnel Only 0.2µm PES, 12/pk
Optional Accessories	1122-RLS	-	-	-	Autofil Quick-Connect Cradle Ring, 1/pk
	1116-RLS	-	-	-	Autofil Quick-Connect Pedestal, 1/pk

Filter *faster*, and become more efficient in the lab using Autofil SS Bottle Top Filtration Units

The Foxx Life Sciences **Autofil SS** Bottle Top Filtration Units are designed to be the fastest in the industry, without compromising on form or function. All of the same great features and benefits of the standard **Autofil** line are still present, including the **SECURE-grasp** Cap and ergonomic media bottle. To increase productivity even more, combine the **Autofil SS** with our patented **Autofil Pedestal** or **Crade Ring** fixture, entirely eliminating the painstaking process of hooking up your filtration unit to a vacuum!



New Autofil SS units are fully compatible with existing Autofil docking station technology!