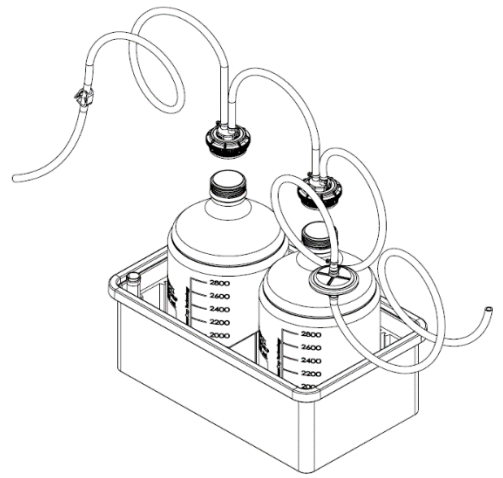


Vactrap™ G

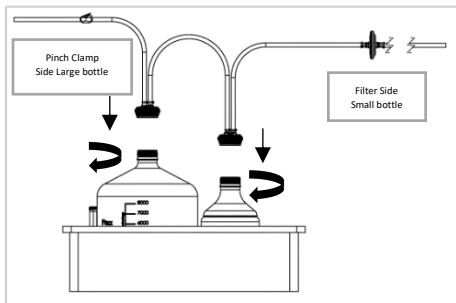
VACUUM ASPIRATION SYSTEM



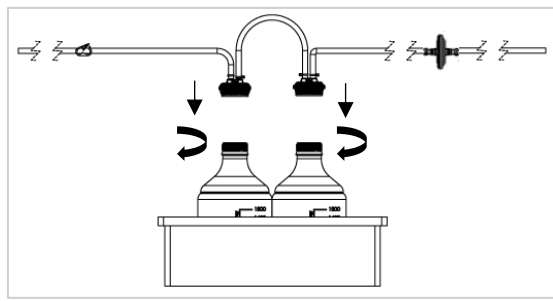
Installation Instructions:

1. Open shipping box.
2. Remove the assembly from the shipping box.
3. Remove the twist-tie from the bag.
4. Remove the bin containing the glass bottles, and the bag containing tubing assembly.
5. Open the bag containing the tubing assembly.
6. Remove the tubing assembly from the bag and unwind the tubing.
7. Thread each cap GL45 from the tubing assembly onto the corresponding containers as shown on the assembly stages below (cap should be tightened clockwise):
 - 7.1 **Note:** If the bottles are different sizes, the cap with the vent filter tubing side attached will go onto the smaller bottle.

Assembly Stage I:

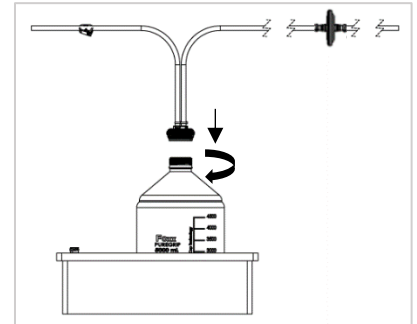


Two Different Size Glass Bottles Assembly



Same Size Glass Bottles Assembly

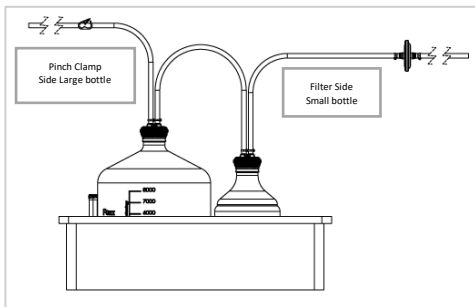
* Pinch Clamp and Filter side will not affect configuration



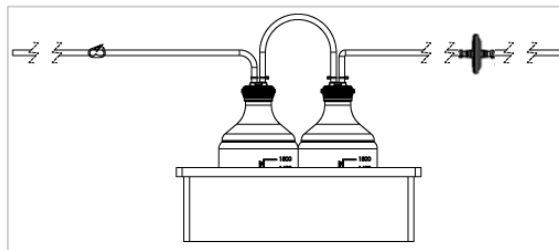
One Glass Bottle Assembly

* Pinch Clamp and Filter side will not affect configuration

Assembly Stage II:

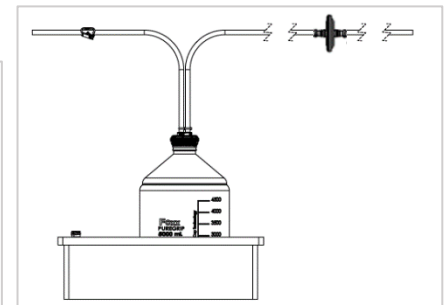


Two Different Size Glass Bottles Assembly



Same Size Glass Bottles Assembly

* Pinch Clamp and Filter side will not affect configuration



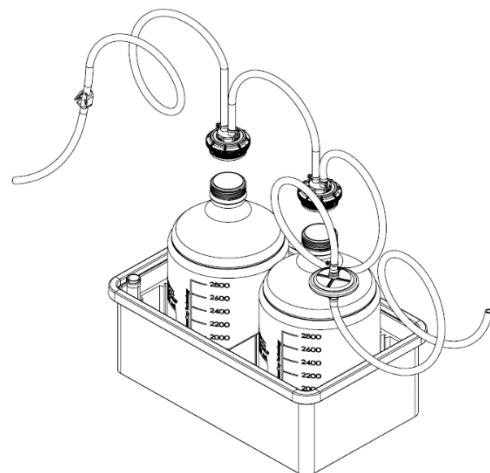
One Glass Bottle Assembly

* Pinch Clamp and Filter side will not affect configuration

8. Hand torque each cap after threading the cap to the respective bottles.
9. Centrifuge tube should be on the same side as the tubing with pinch clamp. Tubing can be put into centrifuge tube when not in use.
10. Media suction side has the pinch clamp. Tubing with filter attaches to the vacuum pump.
11. Assembly Complete.

Vactrap™ G

VACUUM ASPIRATION SYSTEM



Look-Up Table for Replacement Parts

#	SKU	Product Description
Tubing Replacement		
1	25T-3434-FLS	New Foxx EZFlow® TPE Tubing, 1/4" ID x 7/16" OD, 25ft. Roll
2	25T-3435-FLS	New Foxx EZFlow® TPE Tubing, 1/4" ID x 7/16" OD, 50ft. Roll
3	25T-3436-FLS	New Foxx EZFlow® TPE Tubing, 1/4" ID x 3/8" OD, 25ft. Roll
4	25T-3437-FLS	New Foxx EZFlow® TPE Tubing, 1/4" ID x 3/8" OD, 50ft. Roll
5	300-0001-FLS	Vactrap®, EZFlow® TPE Vacuum Tubing Extension, 4ft., w/ 0.2µm PTFE Vent Filter
6	300-0002-FLS	Vactrap®, EZFlow® TPE Vacuum Tubing Extension, 6ft., w/ 0.2µm PTFE Vent Filter
7	300-0003-FLS	Vactrap®, EZFlow® TPE Vacuum Tubing Extension, 8ft., w/ 0.2µm PTFE Vent Filter
8	300-0007-FLS	Vactrap®, EZFlow® TPE Vacuum Tubing Extension, 10ft., w/ 0.2µm PTFE Vent Filter
9	300-0008-FLS	Vactrap®, EZFlow® TPE Vacuum Tubing Extension, 12ft., w/ 0.2µm PTFE Vent Filter
10	300-0009-FLS	Vactrap®, EZFlow® TPE Vacuum Tubing Extension, 16ft., w/ 0.2µm PTFE Vent Filter
11	300-0011-FLS	Vactrap®, EZFlow® TPE Vacuum Tubing Extension, 8ft., w/ 0.2µm PTFE Vent Filter
12	300-0012-FLS	Vactrap®, EZFlow® TPE Vacuum Tubing Extension, 12ft., w/ 0.2µm PTFE Vent Filter
13	300-0013-FLS	Vactrap®, EZFlow® TPE Vacuum Tubing Extension, 16ft., w/ 0.2µm PTFE Vent Filter
Vactrap® Safety Bin		
14	300-0005-FLS	Vactrap®, Red Secondary Container, W/ Dividers, 9-3/16" x 6-9/16" x 4-1/2"
15	300-0006-FLS	Vactrap® XL, Red Secondary Container, W/ Dividers, 14.9" x 9.3" x 5.5"
16	300-0010-FLS	Vactrap® XXL, Red Secondary Container, W/ Dividers, 22-1/2" x 17-1/2" x 6"
EZFlow® Vent Filter Replacement		
17	25H-1628-OEM	EZFlow® Vent Filter, 0.2µm PTFE, 50mm PP Housing 1/2" to 1/4" Stepped Bark, 5/CS
PUREGRIP® Glass Bottles		
18	1501029-FLS	PUREGRIP® Glass Bottle, 1L 3.3 Borosilicate Glass, GL45 VersaCap, Clear, 10/CS
19	1501030-FLS	PUREGRIP® Glass Bottle, 2L 3.3 Borosilicate Glass, GL45 VersaCap, Clear, 10/CS
20	1501031-FLS	PUREGRIP® Glass Bottle, 3L 3.3 Borosilicate Glass, GL45 VersaCap, Clear, 2/CS
21	1501033-FLS	PUREGRIP® Glass Bottle, 5L 3.3 Borosilicate Glass, GL45 VersaCap, Clear
22	1501038-FLS	PUREGRIP® Glass Bottle, 10L 3.3 Borosilicate Glass, GL45 VersaCap, Clear
23	1501040-FLS	PUREGRIP® Glass Bottle, 20L 3.3 Borosilicate Glass, GL45 VersaCap, Clear

Visit ShopFLS.com for more information on our other lab safety products including Vactrap 2, Vaptrap XL, EZWaste HPLC Safety System, HPLC ChromCaps, DOT/UN Waste Container and much more!