

INSTRUCTION MANUAL

(For Professional Use Only)



PRO-MIST

DO NOT USE EQUIPMENT BEFORE READING THIS MANUAL

This manual contains important warnings and instructions. Please read these instructions carefully and keep for your reference.

©2013 Apollo Sprayers International, Inc.

⚠️ WARNING

DO NOT USE EQUIPMENT BEFORE READING THIS SECTION

The Apollo Pro-Mist™ should only be used with approved non-flammable spray solutions.

In order to assure safe operation of your spray tanning system, please read the following instructions carefully.

- Always follow solution manufacturer's safety instructions and warnings.
- Always spray in a well-ventilated area.
- We recommend that you use an approved face mask
- Always store indoors, never allow unit to freeze.
- Always use original manufacturers replacement parts
- Never spray flammable materials from the Spray Tanning Center.
- Never alter or modify any part of this equipment; doing so can cause equipment malfunction and/or bodily injury.
- Never attempt to clean any part of the turbine motor while it is plugged in.
- **CAUTION: TO REDUCE THE RISK OF ELECTRIC SHOCK, DO NOT EXPOSE TO WATER.**
- Never leave spray equipment unattended. Keep away from children or any person not familiar with spray equipment.

GROUNDING INSTRUCTIONS

This product should be grounded. In the event of an electrical short circuit, grounding reduces the risk of electrical shock by providing an escape wire for the electric current. This product is equipped with a cord that has a grounding wire and appropriate grounding plug. The plug must be plugged into an outlet that is properly installed and grounded in accordance with all local codes and ordinances. Do not operate unit with a damaged cord or plug. Do not pull or carry unit by the cord. Keep away from heated surfaces. Do not unplug by pulling on the cord.

⚠️ DANGER

Improper installation of the grounding plug can result in the risk of electric

shock. Check with a qualified electrician or service member if in doubt as to whether the product is properly grounded. Do not modify the plug provided. If it will not fit the outlet, have the proper outlet installed by a qualified electrician. Make sure that the spray-tanning center is connected to an outlet with the same configuration as the plug. **DO NOT USE ANY ADAPTERS WITH THIS PRODUCT.**

Be sure that you are plugging the unit into a proper outlet for the electric current designed for your spray system. Incorrect voltage will damage or burn out the motor.

USING EXTENSION CORDS

Use only a three-wire extension cord with a 3-slot receptacle similar to the plug on the turbine. Make sure your extension cord is in good condition. When using an extension cord, be sure to select one that will carry a heavy enough current for the turbine motor. An undersized cord will cause a drop in the line voltage resulting in loss of power and overheating. If in doubt use the next heavier gauge. The smaller the gauge number, the heavier the wire thickness. Please use the chart below as a guide to selecting the proper size extension cord.

For length less than:	Use extension gauge:
25ft (7.62m)	16AWG
50ft (15.24m)	14AWG
100ft (30.48m)	12AWG
150ft (45.72)	10AWG

CONGRATULATIONS! You have just purchased the finest HVLP Tanning system available and the only TrueHVLP™ system on the market that has been completely designed to apply Tanning Solutions, not paint. You are about to enjoy the great benefits of TrueHVLP™ spray tanning, flawless applications and a very short learning curve. Our designs are the result of many years experience in manufacturing TrueHVLP™ Turbine spray systems, and TrueHVLP™ spray guns.

Whether you are new to spraying tanning, you have spray tanned before, or are just new to HVLP spray tanning; there are some basic spraying guidelines that will help you to achieve the best results and optimum success from your new equipment. Reading this information carefully and following these simple steps will ensure that you get the best performance and results from your new Apollo Pro-Mist™ Spray Tanning System.



Check the contents of your box. The following are included:

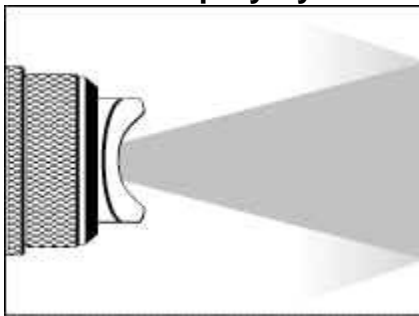
1. Turbine Spray Tanning unit
2. Spray Gun
3. Air hose
4. This Instruction Manual

How your Apollo Pro-Mist™ Spray Tanning System Works

Your Apollo Pro-Mist™ Spray Tanning System has three components: the turbine (motor) unit, an air hose and the spray gun. The Turbine unit, when connected to the correct electrical power supply and with the on/off switch in the “on” position provides a continuous source of clean, warm, dry, low-pressure turbo air. The air hose connects the turbine unit to the spray gun. Air flows through the hose to the nozzle of the Apollo T6000 spray gun. Atomization of the tanning solution is achieved when the high Cubic Feet per Minute (CFM) of airflow mixes with the stream of fluid passing through the specialty designed tip/nozzle. This low-pressure atomization principle achieves minimum misting (overspray) to the spray environment and maximum solution transfer efficiency to the client because of less “Bounce Back”.

Bounce Back Comparisons

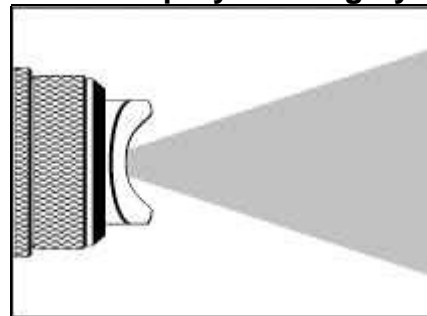
Air Brush Spray Systems



Conventional spray systems:

- 12-20 PSI @ 8 CFM
- 30-50% transfer efficiency
- Excessive, costly Solution waste
- Unhealthy for operator and harmful to the environment

Apollo Pro-Mist™ Spray Tanning System



TrueHVLP™ Tanning System

- 3.2 PSI @ 85 CFM
- Up to 90% transfer efficiency
- Substantial Solution savings
- Cleaner and safer for both operator and environment

The Pro-Mist™ Turbine has one air hose outlet on the front of the unit and is designed to run one spray gun.

Your Apollo T6000 spray gun offers you many options. You can adjust (click) the air cap (#2) to three positions. One will produce a horizontal pattern for spraying side to side. Another will produce a vertical pattern for spraying up and down. Last, a third will produce a round pattern to touch up or contour shade.

Preparing to use your Apollo Pro-Mist™ Spray Tanning System

Connect the air hose to the Turbine, pull back the spring-loaded quick disconnect coupler and insert the male connector on the air hose into the turbine connector. Release the ring. Your air hose will be locked into place, when you hear a click. To disconnect, push back on the connector to release.



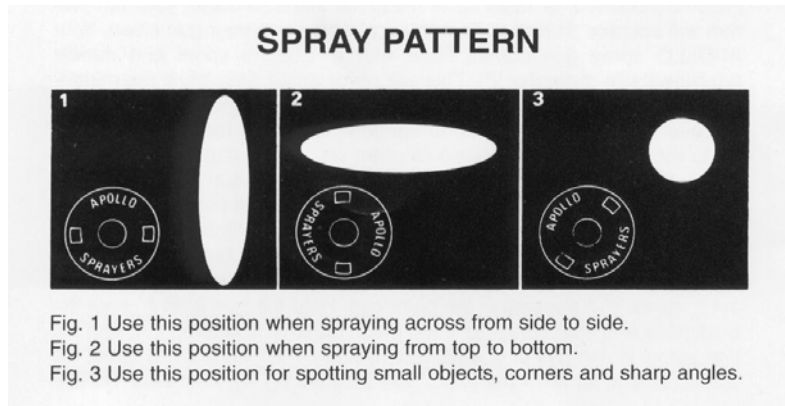
If you have just finished spraying, the metal coupler at the turbine end may be hot!

Plug the electric cord into a correctly grounded electrical outlet. Be sure the electric current is the correct voltage. If you need to use an extension cord, be sure to follow the chart on page 2 and make sure to use a correctly grounded outlet.

Select a safe, well-ventilated area where you will spray your client. Locate your Turbine unit as far away from the area where you will be directly spraying.

Familiarizing yourself with your Apollo T6000 Spray Gun

Familiarize yourself with the controls on the T6000 spray gun. There are two principal controls. The rotating air cap (#2) and the solution flow screw (#10). Rotate the air cap into each position. 1) Horizontal, 2) Vertical and 3) 45°. When the air cap is in the 45° position the pattern is round. This is useful for contour shading and detailing muscles. Be careful, solution flow will increase when using the round fan pattern so make sure to reduce the solution flow by adjusting the flow screw #10) clockwise.



Now try turning the solution flow screw (#10). Turn the knob anti- or counter-clockwise to release more solution and clockwise to reduce solution flow. There is no need to open the knob more than two full turns. Turning the knob all the way clockwise will turn off the solution flow.

You should now be ready to spray your client. Good quality results with your Apollo Pro-Mist™ Spray Tanning System are a combination of careful preparation of your client, a proper spraying environment, a basic knowledge of the solution you will be using and how these solutions work with your Pro-Mist™ system.

Using Your Apollo T6000 Spray Gun

Your Apollo T6000 spray gun is certified by Apollo Sprayers. This means your spray gun only uses about 3 PSI and is genuine HVLP. There are many small passageways for the air to travel inside the spray gun. If one of these air passages becomes blocked, or build up of material starts to occur, your spray pattern will become distorted, therefore, always keep your spray gun clean. Your Apollo T6000 spray gun comes fitted with a custom tanning needle and nozzle specifically designed for spraying tanning solutions. Using this size tip/nozzle and needle you can achieve from a 1/4" line up to a 6" wide fan pattern. To do this, rotate the Air Cap (#2) to the desired fan pattern type, then open the solution flow screw (#10) counter-clockwise and move the spray gun closer or further away from your work piece until you get the desired width of pattern. The closer you are to the clients body the smaller the fan. The farther back you hold the spray gun from the clients body the larger the fan pattern will be. A little practice will enable you to master this technique in no time flat! Never hold the spray gun more than 6-8" away from the client.

PRACTICE:

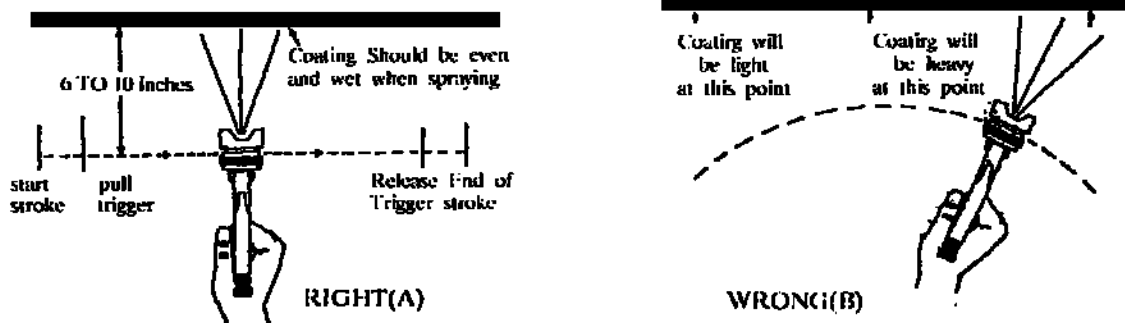
VERY IMPORTANT!! To fill the cup with solution hold the black cup lid tight and remove the cup from your spray gun. **DO NOT HOLD THE SPRAY GUN HANDLE AND REMOVE THE CUP.** Fill the cup approximately half way with some water. Hold the black lid assembly and re-attach the cup to the body of the spray gun and hand tighten to create a good seal. Attach the spray gun to the air hose. Attach the other end of the air hose to the turbine unit. Turn the turbine unit on. **You will notice air is now flowing through the air cap all the time, this is normal and correct.** Position the air cap (#2) in the horizontal or vertical position, turn the solution flow screw (#10) clockwise until closed. Now open the solution screw slowly until you have it open 1 full turn. Point the spray gun away from yourself (and anyone else) and pull the trigger all the way back. You should see a "V" shaped mist (or triangle) called a fan pattern. Now, with the trigger depressed, if you turn the material flow screw, (#10) clockwise (closing) making very small adjustment's at a time, you will notice that the fan pattern is beginning to get smaller. Now, reverse this and notice the pattern will get larger. Take a large piece of cardboard and direct the pattern at the surface, hold the spray gun approximately 6" from the surface. Pull the trigger. Observe the outline and size of the pattern. Now, turn the solution flow screw clockwise (closing). Move the spray gun an inch or two closer to the surface. Pull the trigger. Notice the pattern has become smaller. You can continue reducing the solution flow and move the spray gun even closer to the surface and the pattern will continue to get smaller and smaller. Next, rotate the air cap to a diagonal position (See Spray Patterns, Pg. 5). Vary the solution flow and the distance of the spray gun from the work surface. Notice the change in pattern size.



Even when the turbine unit is off, pressure will remain in the spray cup. If you pull the trigger back, a stream of solution will flow. To prevent accidents, turn solution flow screw (#10) clockwise until it is completely closed. The trigger is now locked in the closed position. You can also simply aim the gun at a towel and pull the trigger to release any pressure in the cup.

Note: It is not necessary to empty and clean your spray gun when you pause between applications. Be sure, however, to clean your spray gun thoroughly at the end of your work session. It is a bad idea to leave solution in your spray gun overnight.

PROPER SPRAY TECHNIQUE



TURBINE MAINTENANCE

The Apollo Pro-Mist™ Turbine unit needs virtually no maintenance. The motor has sealed bearings that are pre-lubricated. No service is necessary. Each week it is a good idea to clean the Pro-Mist™ turbine air filters. Clean filters are critical to good performance and equipment longevity. Your Pro-Mist™ turbine has 2 replaceable filters. Remove the two hex-head securing nuts in order to remove the filters for cleaning or replacement. Periodically wash the filter element with warm water and dishwashing soap. Make sure you fully dry the filter element before re-installing them in the turbine. Dirty filters will reduce the air being drawn through the motor, causing the unit to run abnormally hot, diminish spray performance and reduce the life of the motor. Clean and/or replace your filters regularly. Use the maintenance record sheet to keep track of your equipment use.

TROUBLESHOOTING

1. Turbo unit turned ON. Air blows out of T6000 Spray Gun?

This is correct. Air blows constantly when Turbo unit is ON.

2. Turbo unit turned ON. Unit does not operate or blow air?

Check that the unit is plugged in to proper electric source. Be sure there is power at the electric source. If there is no problem with electric supply, call for technical support.

3. Turbo unit is turned ON, the trigger is pulled back on Spray Gun, but no solution comes out?

Check that the cup is screwed firmly to Spray Gun.

Check that there is no solution bubbling or leaking around the cup.

Turn Turbo unit OFF. Unscrew cup. Be sure that Solution Tube and Disc (#14) is connected and has not come loose. Locate the two small holes in the Disc around the Solution tube. Be sure that these two small holes are not clogged with dried solution. To clean, carefully insert a pin through each hole ensuring that they are clear.

Turn Turbo unit OFF. Remove air cap ring, remove air cap, remove Air Distributor Plate. Remove Solution nozzle (#3) with an adjustable wrench or spanner. There is a Solution nozzle gasket (#4) on the Solution nozzle. Do not lose it. Rinse Solution Nozzle under running water and check for dried solution that may have blocked the hole. Reinstall Solution Nozzle Gasket. Reinstall Solution Nozzle, Air distributor plate, air cap and air cap ring. Try spraying again. If you still have a problem call for technical support.

4. Solution leaks in front of trigger.

With an adjustable wrench or spanner tighten Solution Needle Packing Screw (#7). Do not over tighten. This can cause Solution needle to stick and not spring back. Try spraying again. If leaking continues the Solution Needle Packing needs to be replaced. (Rare). Remove Solution Needle Packing Screw (#7). Pry out the Solution Needle Packing's (4). Replace. Reinstall Solution Needle Packing Screw. Tighten all the way, and then back off slightly. (1/8 turn) Test spray gun for leakage. If you still have a problem call for technical support.

5. When Turbo unit is ON, Solution continues to spray from Spray Gun without trigger being pulled.

Immediately turn Turbo unit OFF.

Disconnect spray gun from air hose.

Slightly adjust (loosen) Solution Needle Packing Screw (#7). Test to see if problem is resolved.

Check to see that Needle Spring is installed. (#9). Remove Solution Flow Screw (#10). Look for Needle Spring around the back of the Solution Needle. (See diagram). If lost, call for replacement.

Check Solution nozzle. Remove and clean following directions 9.c.iv. above.

6. Solution leaks around the top of the cup.

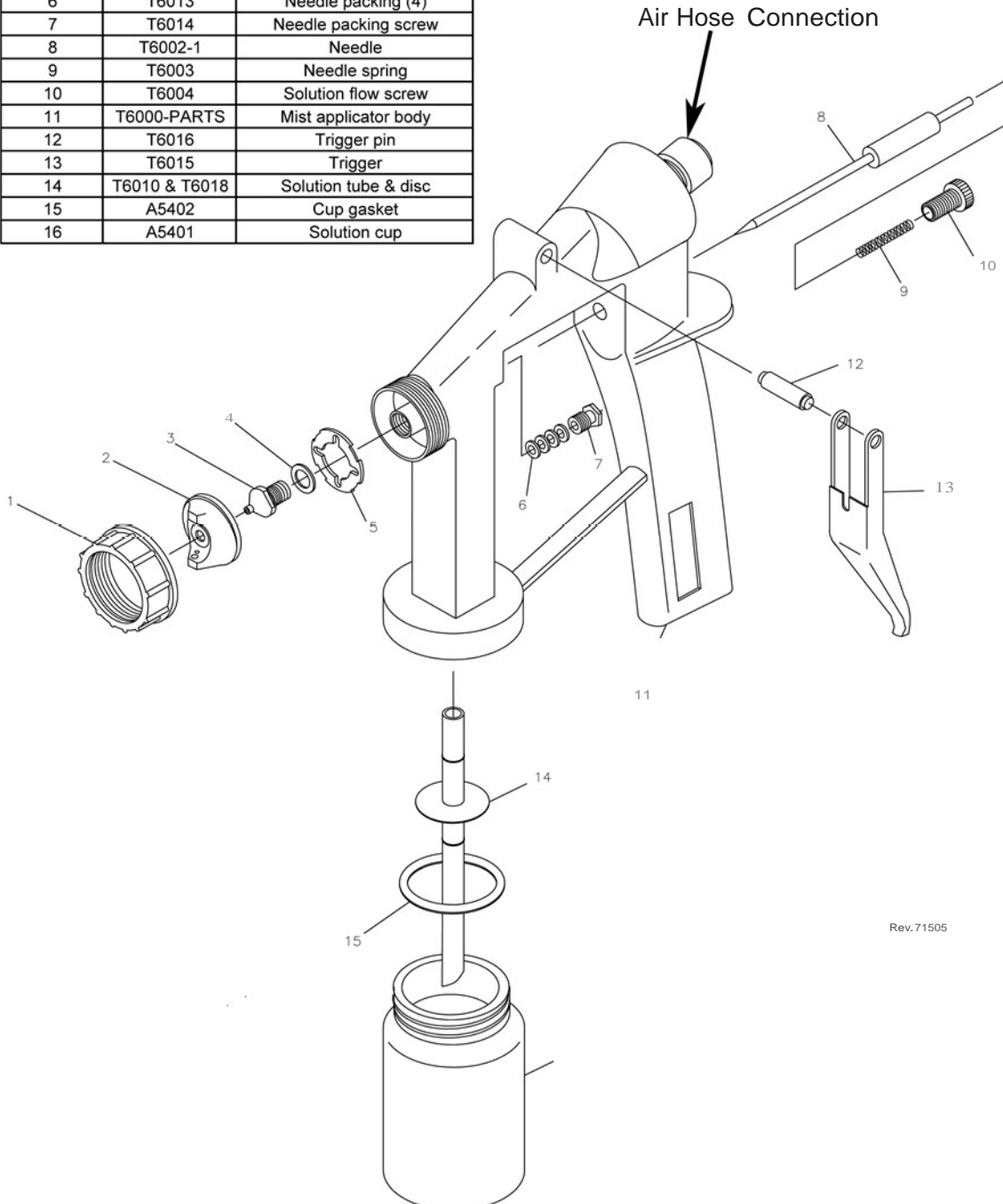
Make sure the cup is screwed firmly to the body of the Spray Gun.

Make sure the threads around the cup are clean and the threads inside the cup top assembly are clean.

Replace the cup top gasket. Pry out old gasket. Install new gasket. Test spray gun.

T6000 Mist Applicator Parts & Diagram

Diagram #	Part #	Description
1	T6009	Air cap ring
2	T6008	Air cap
3	T6002-1	Nozzle
4	T6017	Nozzle gasket
5	T6006	Air distributor plate
6	T6013	Needle packing (4)
7	T6014	Needle packing screw
8	T6002-1	Needle
9	T6003	Needle spring
10	T6004	Solution flow screw
11	T6000-PARTS	Mist applicator body
12	T6016	Trigger pin
13	T6015	Trigger
14	T6010 & T6018	Solution tube & disc
15	A5402	Cup gasket
16	A5401	Solution cup



Service and Parts

For parts to technical service on your Pro-Mist™ UV Sunless Tanning System please visit our website at www.hvlpsun.com or call our Customer Service line toll free at 1-888-900-4857 during our normal business hours of Monday – Friday 8am-4pm, PST. We are closed on Saturday and Sunday.

Warranty Information

One Year Limited Warranty

Your Pro-Mist™ tanning system is WARRANTED by **APOLLO SPRAYERS INTERNATIONAL, INC.** for a total period of ONE YEAR on a PRO-RATED Basis (see schedule below) from the ORIGINAL date of purchase by the ORIGINAL PURCHASER. Proof of purchase to be included and all SHIPPING CHARGES to be pre-paid.

APOLLO SPRAYERS INTERNATIONAL, INC. upon examination of the machine/equipment will **replace or repair** at their discretion any defects in material or workmanship.

WARRANTY SCHEDULE

First Six Months.....Parts NO CHARGE.....Labor.....NO CHARGE
Second Six Months.....Parts NO CHARGE.....Labor.....CHARGED
Labor will be CHARGED at the current hourly rate, or specified Job Rate.

This WARRANTY does NOT include: miss-use, damage, neglect, alterations, disassembled equipment or modifications, lack of maintenance, cleaning, water damage to electrical parts and INCORRECT VOLTAGE CONNECTION. This WARRANTY is in lieu of all other express warranties, any WARRANTY implied by law, including but not limited to implied warranties of merchantability or fitness, is excluded to the maximum extent permitted by law and, if not excludable, it is limited to the duration of the express Warranty. No representative or person is authorized to extend this Warranty or to create for **APOLLO SPRAYERS INTERNATIONAL, INC.** any other liability in connection with the sale of any **APOLLO SPRAYERS product.** **APOLLO SPRAYERS INTERNATIONAL, INC.** shall not be liable for any consequential, incidental, or special damages of any kind directly or indirectly resulting from breach of any express or implied Warranty. Some States do allow the exclusion of limitation of incidental or consequential damages or limitations on the length of any Warranty so that the above limitations and exclusions may not apply to you; however, to the maximum extent permitted under applicable law, the only rights and remedies shall be to obtain a replacement for any defective product. This Warranty gives you specific legal rights and you may also have other rights which vary from State to State.

For warranty repairs inside the United States please call 888-900-4857 or outside the United States call, 760-727-8300. **All repairs must be accompanied by an RMA number from the factory.** Please call first before sending any equipment back to the factory for repair. If you do not include a valid RMA number your repair will be refused.

Apollo Sprayers International, Inc.
1040 Joshua Way
Vista, CA 92081
www.hvlpsun.com