

INSTRUCTION MANUAL

(For Professional Use Only)



PRO-MIST

DO NOT USE EQUIPMENT BEFORE READING THIS MANUAL

This manual contains important warnings and instructions. Please read these instructions carefully and keep for your reference.

©2013 Apollo Sprayers International, Inc.

⚠️ WARNING

DO NOT USE EQUIPMENT BEFORE READING THIS SECTION

The Apollo Pro-Mist™ should only be used with approved non-flammable spray solutions.

In order to assure safe operation of your spray tanning system, please read the following instructions carefully.

- Always follow solution manufacturer's safety instructions and warnings.
- Always spray in a well-ventilated area.
- We recommend that you use an approved face mask
- Always store indoors, never allow unit to freeze.
- Always use original manufacturers replacement parts
- Never spray flammable materials from the Spray Tanning Center. .
- Never alter or modify any part of this equipment; doing so can cause equipment malfunction and/or bodily injury.
- Never attempt to clean any part of the turbine motor while it is plugged in.
- **CAUTION: TO REDUCE THE RISK OF ELECTRIC SHOCK, DO NOT EXPOSE TO WATER.**
- Never leave spray equipment unattended. Keep away from children or any person not familiar with spray equipment.

GROUNDING INSTRUCTIONS

This product should be grounded. In the event of an electrical short circuit, grounding reduces the risk of electrical shock by providing an escape wire for the electric current. This product is equipped with a cord that has a grounding wire and appropriate grounding plug. The plug must be plugged into an outlet that is properly installed and grounded in accordance with all local codes and ordinances. Do not operate unit with a damaged cord or plug. Do not pull or carry unit by the cord. Keep away from heated surfaces. Do not unplug by pulling on the cord.

⚠️ DANGER

Improper installation of the grounding plug can result in the risk of electric

shock. Check with a qualified electrician or service member if in doubt as to whether the product is properly grounded. Do not modify the plug provided. If it will not fit the outlet, have the proper outlet installed by a qualified electrician. Make sure that the spray-tanning center is connected to an outlet with the same configuration as the plug. **DO NOT USE ANY ADAPTERS WITH THIS PRODUCT.**

Be sure that you are plugging the unit into a proper outlet for the electric current designed for your spray system. Incorrect voltage will damage or burn out the motor.

USING EXTENSION CORDS

Use only a three-wire extension cord with a 3-slot receptacle similar to the plug on the turbine. Make sure your extension cord is in good condition. When using an extension cord, be sure to select one that will carry a heavy enough current for the turbine motor. An undersized cord will cause a drop in the line voltage resulting in loss of power and overheating. If in doubt use the next heavier gauge. The smaller the gauge number, the heavier the wire thickness. Please use the chart below as a guide to selecting the proper size extension cord.

For length less than:	Use extension gauge:
25ft (7.62m)	16AWG
50ft (15.24m)	14AWG
100ft (30.48m)	12AWG
150ft (45.72)	10AWG

CONGRATULATIONS! You have just purchased the finest HVLP Tanning system available and the only TrueHVLP™ system on the market that has been completely designed to apply Tanning Solutions, not paint. You are about to enjoy the great benefits of TrueHVLP™ spray tanning, flawless applications and a very short learning curve. Our designs are the result of many years experience in manufacturing TrueHVLP™ Turbine spray systems, and TrueHVLP™ spray guns.

Whether you are new to spraying tanning, you have spray tanned before, or are just new to HVLP spray tanning; there are some basic spraying guidelines that will help you to achieve the best results and optimum success from your new equipment. Reading this information carefully and following these simple steps will ensure that you get the best performance and results from your new Apollo Pro-Mist™ Spray Tanning System.



Check the contents of your box. The following are included:

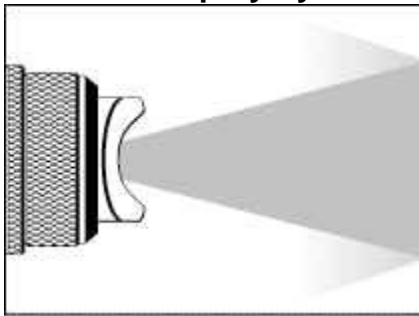
1. Turbine Spray Tanning unit
2. Spray Gun
3. Air hose
4. This Instruction Manual

How your Apollo Pro-Mist™ Spray Tanning System Works

Your Apollo Pro-Mist™ Spray Tanning System has three components: the turbine (motor) unit, an air hose and the spray gun. The Turbine unit, when connected to the correct electrical power supply and with the on/off switch in the “on” position provides a continuous source of clean, warm, dry, low-pressure turbo air. The air hose connects the turbine unit to the spray gun. Air flows through the hose to the nozzle of the Apollo T5020 spray gun. Atomization of the tanning solution is achieved when the high Cubic Feet per Minute (CFM) of airflow mixes with the stream of fluid passing through the specialty designed tip/nozzle. This low-pressure atomization principle achieves minimum misting (overspray) to the spray environment and maximum solution transfer efficiency to the client because of less “Bounce Back”.

Bounce Back Comparisons

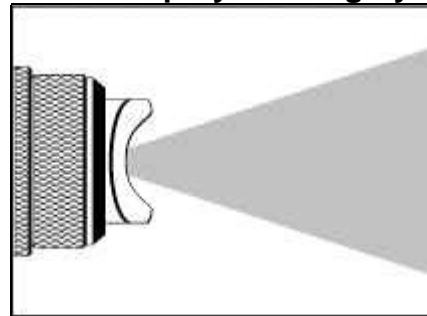
Air Brush Spray Systems



Conventional spray systems:

- 12-20 PSI @ 8 CFM
- 30-50% transfer efficiency
- Excessive, costly Solution waste
- Unhealthy for operator and harmful to the environment

Apollo Pro-Mist™ Spray Tanning System



TrueHVLP™ Tanning System

- 3.2 PSI @ 85 CFM
- Up to 90% transfer efficiency
- Substantial Solution savings
- Cleaner and safer for both operator and environment

The Pro-Mist™ Turbine has one air hose outlet on the front of the unit and is designed to run one spray gun.

Your Apollo T5020 spray gun offers you many options. You can adjust (click) the air cap (#2) to three positions. One will produce a horizontal pattern for spraying side to side. Another will produce a vertical pattern for spraying up and down. Last, a third will produce a round pattern to touch up or contour shade.

Preparing to use your Apollo Pro-Mist™ Spray Tanning System

Connect the air hose to the Turbine, pull back the spring-loaded quick disconnect coupler and insert the male connector on the air hose into the turbine connector. Release the ring. Your air hose will be locked into place, when you hear a click. To disconnect, push back on the connector to release.



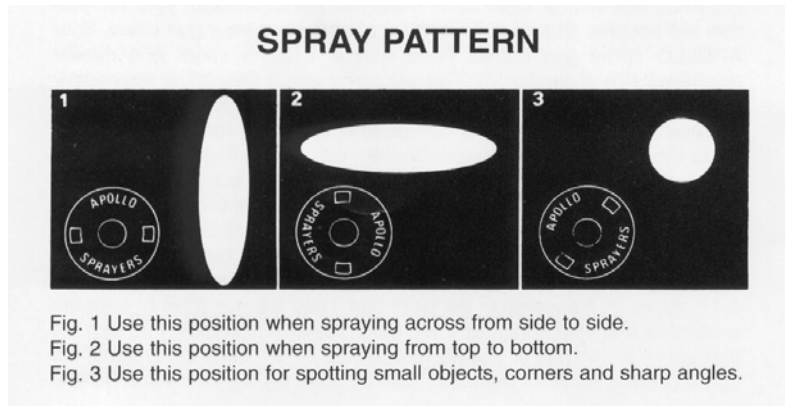
If you have just finished spraying, the metal coupler at the turbine end may be hot!

Plug the electric cord into a correctly grounded electrical outlet. Be sure the electric current is the correct voltage. If you need to use an extension cord, be sure to follow the chart on page 2 and make sure to use a correctly grounded outlet.

Select a safe, well-ventilated area where you will spray your client. Locate your Turbine unit as far away from the area where you will be directly spraying.

Familiarizing yourself with your Apollo T5020 Spray Gun

Familiarize yourself with the controls on the T5020 spray gun. There are two principal controls. The rotating air cap (#2) and the solution flow knob (#16). Rotate the air cap into each position. 1) Horizontal, 2) Vertical and 3) 45°. When the air cap is in the 45° position the pattern is round. This is useful for contour shading and detailing muscles. Be careful, solution flow will increase when using the round fan pattern so make sure to reduce the solution flow by adjusting the solution flow knob (#16) clockwise.



Now try turning the solution flow knob (#16). Turn the knob anti- or counter-clockwise to release more solution and clockwise to reduce solution flow. There is no need to open the knob more than two full turns. Turning the knob all the way clockwise will turn off the solution flow.

You should now be ready to spray your client. Good quality results with your Apollo Pro-Mist™ Spray Tanning System are a combination of careful preparation of your client, a proper spraying environment, a basic knowledge of the solution you will be using and how these solutions work with your Pro-Mist™ system.

Using Your Apollo T5020 Spray Gun

Your Apollo T5020 spray gun is certified by Apollo Sprayers. This means your spray gun only uses about 3 PSI and is genuine HVLP. There are many small passageways for the air to travel inside the spray gun. If one of these air passages becomes blocked, or build up of material starts to occur, your spray pattern will become distorted, therefore, always keep your spray gun clean. Your Apollo T5020 spray gun comes fitted with a custom tanning needle and nozzle specifically designed for spraying tanning solutions. Using this size tip/nozzle and needle you can achieve from a 1/4" line up to a 6" wide fan pattern. To do this, rotate the Air Cap (#2) to the desired fan pattern type, then open the solution flow knob (#16) counter-clockwise and move the spray gun closer or further away from your work piece until you get the desired width of pattern. The closer you are to the clients body the smaller the fan. The farther back you hold the spray gun from the clients body the larger the fan pattern will be. A little practice will enable you to master this technique in no time flat! Never hold the spray gun more than 6-8" away from the client.

PRACTICE:

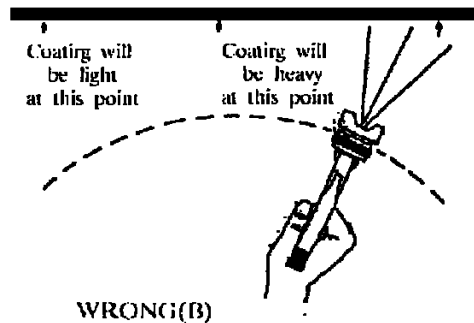
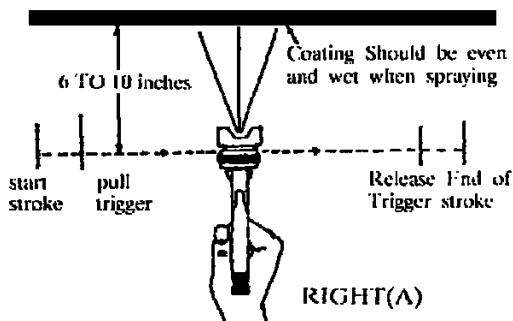
VERY IMPORTANT!! To fill the cup with solution hold the black cup lid tight and remove the cup from your spray gun. **DO NOT HOLD THE SPRAY GUN HANDLE AND REMOVE THE CUP.** Fill the cup approximately half way with some water. Hold the black lid assembly and re-attach the cup to the body of the spray gun and hand tighten to create a good seal. Attach the spray gun to the air hose. Attach the other end of the air hose to the turbine unit. Turn the turbine unit on. **You will notice air is now flowing through the air cap all the time, this is normal and correct.** Position the air cap (#2) in the horizontal or vertical position, turn the solution flow knob (#16) clockwise until closed. Now open the solution screw slowly until you have it open 1 full turn. Point the spray gun away from yourself (and anyone else) and pull the trigger all the way back. You should see a "V" shaped mist (or triangle) called a fan pattern. Now, with the trigger depressed, if you turn the material flow screw, (#10) clockwise (closing) making very small adjustment's at a time, you will notice that the fan pattern is beginning to get smaller. Now, reverse this and notice the pattern will get larger. Take a large piece of cardboard and direct the pattern at the surface, hold the spray gun approximately 6" from the surface. Pull the trigger. Observe the outline and size of the pattern. Now, turn the solution flow screw clockwise (closing). Move the spray gun an inch or two closer to the surface. Pull the trigger. Notice the pattern has become smaller. You can continue reducing the solution flow and move the spray gun even closer to the surface and the pattern will continue to get smaller and smaller. Next, rotate the air cap to a diagonal position (See Spray Patterns, Pg. 5). Vary the solution flow and the distance of the spray gun from the work surface. Notice the change in pattern size.



Even when the turbine unit is off, pressure will remain in the spray cup. If you pull the trigger back, a stream of solution will flow. To prevent accidents, turn solution flow knob (#16) clockwise until it is completely closed. The trigger is now locked in the closed position. You can also simply aim the gun at a towel and pull the trigger to release any pressure in the cup.

Note: It is not necessary to empty and clean your spray gun when you pause between applications. Be sure, however, to clean your spray gun thoroughly at the end of your work session. It is a bad idea to leave solution in your spray gun overnight.

PROPER SPRAY TECHNIQUE



TURBINE MAINTENANCE

The Apollo Pro-Mist™ Turbine unit needs virtually no maintenance. The motor has sealed bearings that are pre-lubricated. No service is necessary. Each week it is a good idea to clean the Pro-Mist™ turbine air filters. Clean filters are critical to good performance and equipment longevity. Your Pro-Mist™ turbine has 2 replaceable filters. Remove the two hex-head securing nuts in order to remove the filters for cleaning or replacement. Periodically wash the filter element with warm water and dishwashing soap. Make sure you fully dry the filter element before re-installing them in the turbine. Dirty filters will reduce the air being drawn through the motor, causing the unit to run abnormally hot, diminish spray performance and reduce the life of the motor. Clean and/or replace your filters regularly. Use the maintenance record sheet to keep track of your equipment use.

MIST APPLICATOR MAINTENANCE AND CLEANING

1. You do not need to clean your Mist Applicator every time you stop spraying. Either set the Mist Applicator down carefully so as not to tip it over, or hang it by the hook. You should, however, clean your Mist Applicator at the end of a work session or at the end of the day. It is not a good idea to leave solution in the Mist Applicator overnight. Also, pay careful attention in keeping the cup threads clean, this includes the threads on the main gun body as well. Dried material on the threads can cause the cup to lock onto the surface making removal difficult.
2. When you have finished spraying, pour the remainder of your solution out of the Mist Applicator cup. Pour in a small amount cleaning fluid. Use a cleaner that is compatible with the solution you just sprayed (water if nothing else is available). Shake the Mist Applicator gently. Wait about one minute and spray out the cleaner in the cup.
3. If necessary, remove the Fluid tip (6) and nozzle washer (7). A standard wrench will fit the flanges on the fluid tip. Be careful not to loose or misplace the nozzle washer. Rinse with appropriate cleaner.
4. To remove the fluid needle assembly, turn the solution flow knob (16) all the way counter- (anti) clockwise until it comes out of the Mist Applicator. Carefully remove the spring (14). Pull the needle assembly back towards you out of the back of the Mist Applicator. Wipe or rinse clean.
5. Wipe all exposed areas clean again giving special attention to the cup threads.
6. Although they might not need attention every time you spray, you should be aware of two additional important parts on your Mist Applicator. One is the cup gasket (26) and the gland seal (20). The cup gasket insures that the cup is properly sealed to the Mist Applicator body, the cup is properly pressurized and no fluid leaks from the Mist Applicator cup. Replace if necessary. The gland seal fits around the fluid needle assembly to prevent fluid from leaking around the needle. This is adjusted by tightening (or loosening) the gland nut (21). Be sure that this screw is not too tight as to not permit free movement of the needle assembly. Be sure that this screw is not too loose as to permit fluid to leak around the needle. Normally, this is preset at the factory and should need no adjustment. Replace gland seal (20) when it becomes impossible to prevent leaking.
7. Store your Mist Applicator for the next use.

MODEL T 5020 (Air Brush Cup)

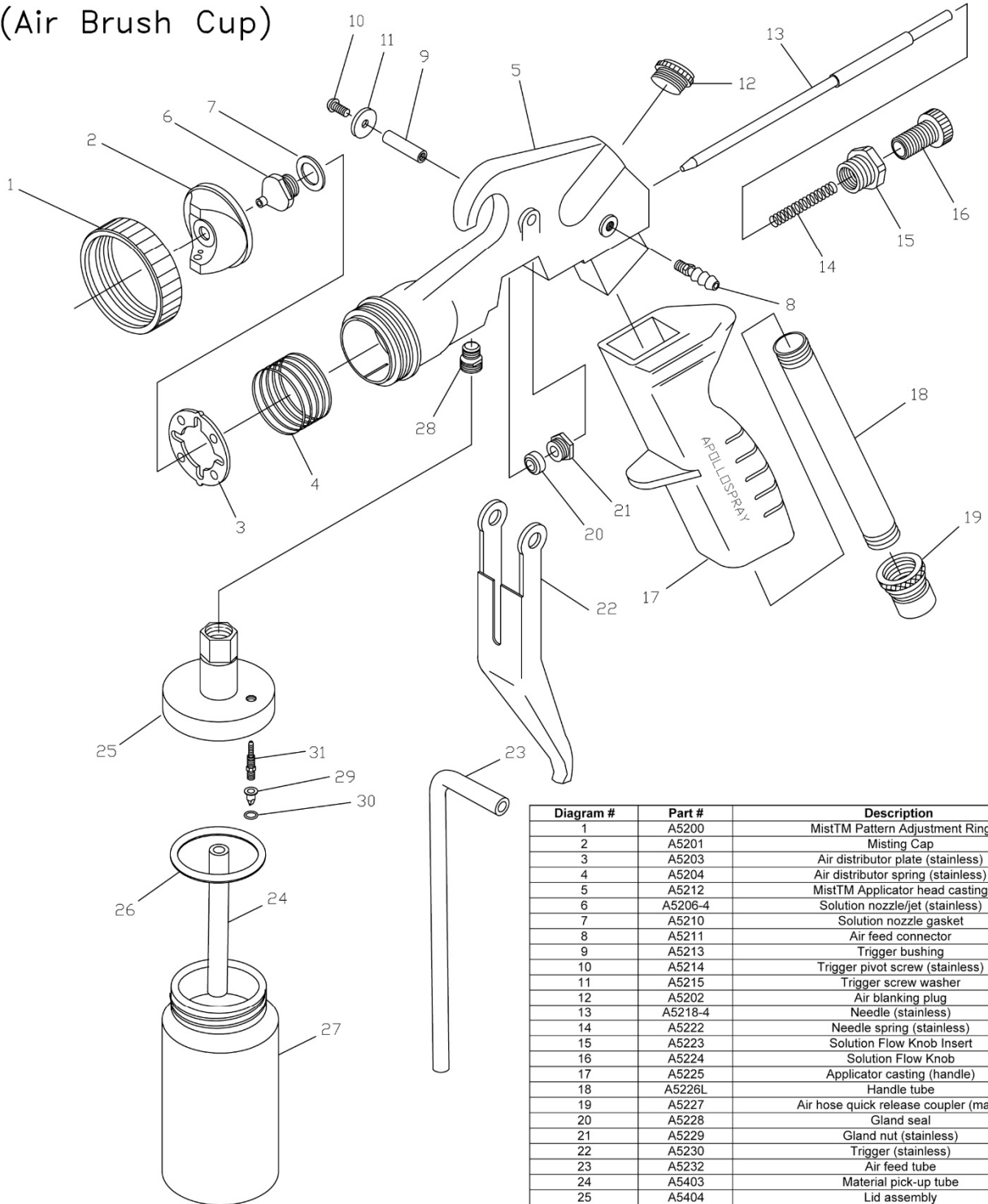


Diagram #	Part #	Description
1	A5200	Mist™ Pattern Adjustment Ring
2	A5201	Misting Cap
3	A5203	Air distributor plate (stainless)
4	A5204	Air distributor spring (stainless)
5	A5212	Mist™ Applicator head casting
6	A5206-4	Solution nozzle/jet (stainless)
7	A5210	Solution nozzle gasket
8	A5211	Air feed connector
9	A5213	Trigger bushing
10	A5214	Trigger pivot screw (stainless)
11	A5215	Trigger screw washer
12	A5202	Air blanking plug
13	A5218-4	Needle (stainless)
14	A5222	Needle spring (stainless)
15	A5223	Solution Flow Knob Insert
16	A5224	Solution Flow Knob
17	A5225	Applicator casting (handle)
18	A5226L	Handle tube
19	A5227	Air hose quick release coupler (male)
20	A5228	Gland seal
21	A5229	Gland nut (stainless)
22	A5230	Trigger (stainless)
23	A5232	Air feed tube
24	A5403	Material pick-up tube
25	A5404	Lid assembly
26	A5402	Gasket (White poly)
27	A5401	8-oz. plastic cup
28	A5252	Fluid connector, 1/4" (stainless)
29	A5321	Duckbill Check Valve
30	A5322	Duckbill O-ring
31	A5323	Air Stem
	A5400	Storage lid
	A5405	Pack of (3) 8oz Cups

Service and Parts

For parts to technical service on your Pro-Mist™ UV Sunless Tanning System please visit our website at www.hvlpsun.com or call our Customer Service line toll free at 1-888-900-4857 during our normal business hours of Monday – Friday 8am-4pm, PST. We are closed on Saturday and Sunday.

Warranty Information

One Year Limited Warranty

Your Pro-Mist™ tanning system is WARRANTED by **APOLLO SPRAYERS INTERNATIONAL, INC.** for a total period of ONE YEAR on a PRO-RATED Basis (see schedule below) from the ORIGINAL date of purchase by the ORIGINAL PURCHASER. Proof of purchase to be included and all SHIPPING CHARGES to be pre-paid.

APOLLO SPRAYERS INTERNATIONAL, INC. upon examination of the machine/equipment will **replace or repair** at their discretion any defects in material or workmanship.

WARRANTY SCHEDULE

First Six Months.....Parts NO CHARGE.....Labor.....NO CHARGE
Second Six Months.....Parts NO CHARGE.....Labor.....CHARGED
Labor will be CHARGED at the current hourly rate, or specified Job Rate.

This WARRANTY does NOT include: miss-use, damage, neglect, alterations, disassembled equipment or modifications, lack of maintenance, cleaning, water damage to electrical parts and INCORRECT VOLTAGE CONNECTION. This WARRANTY is in lieu of all other express warranties, any WARRANTY implied by law, including but not limited to implied warranties of merchantability or fitness, is excluded to the maximum extent permitted by law and, if not excludable, it is limited to the duration of the express Warranty. No representative or person is authorized to extend this Warranty or to create for **APOLLO SPRAYERS INTERNATIONAL, INC.** any other liability in connection with the sale of any **APOLLO SPRAYERS product**. **APOLLO SPRAYERS INTERNATIONAL, INC.** shall not be liable for any consequential, incidental, or special damages of any kind directly or indirectly resulting from breach of any express or implied Warranty. Some States do allow the exclusion of limitation of incidental or consequential damages or limitations on the length of any Warranty so that the above limitations and exclusions may not apply to you; however, to the maximum extent permitted under applicable law, the only rights and remedies shall be to obtain a replacement for any defective product. This Warranty gives you specific legal rights and you may also have other rights which vary from State to State.

For warranty repairs inside the United States please call 888-900-4857 or outside the United States call, 760-727-8300. **All repairs must be accompanied by an RMA number from the factory.** Please call first before sending any equipment back to the factory for repair. If you do not include a valid RMA number your repair will be refused.

Apollo Sprayers International, Inc.
1040 Joshua Way
Vista, CA 92081
www.hvlpsun.com