

shown in Gloss White
with 42" Barn Wood blades



Irene-3H

Designed in 2013



The Irene-3H ceiling-mount fan is rustic, yet strikingly modern with three neatly joined, solid wood matte black, matte white, walnut, or barn wood tone blades. A cylindrical motor housing complements its minimal profile. Irene-3H is streamline while still appearing warm and natural. Constructed of cast aluminum and heavy stamped steel, the Irene-3H has a limited lifetime warranty.

Product Features



DC
Motor



Damp
Location



Silent



Remote
Control



Wall
Control

IRENE-3H

FINISH AND BLADE OPTIONS

| SKU# | IR3H-XXXX-XXX-XX (Model+Finish+Blade+Diameter) | |
|---------------------------------|---|------|
| NEW Standard Finishes | Barn Wood | BW |
| | Brushed Brass | BRBR |
| | Brushed Bronze | BB |
| | Brushed Nickel | BN |
| | Brushed Pewter | BP |
| | Gloss White | WH |
| | Matte Black | BK |
| | Polished Chrome | CR |
| | Textured Bronze | TB |
| | Walnut | WN |
| NEW Blade Finishes | Barn Wood Tone | BW |
| | Matte Black | BK |
| | Matte White | MWH |
| | Walnut Tone | WA |
| Fan Diameter | 42 inches / 107 cm | 42 |
| | 52 inches / 132 cm | 52 |
| | 60 inches / 152 cm | 60 |

TECHNICAL SPECS

| | |
|----------------------|---|
| Fan Diameter | inches: 42, 52 or 60 centimeters: 107, 132 or 152 |
| Blade Material | CNC Cut Solid Wood |
| Overall Drop | 10 inches / 25 cm |
| Fan Weight | 11 lbs |
| Voltage | 110 or 220 |
| Motor Type | DC |
| Environment | Damp locations for all finishes Neither coastal, saltwater nor chlorine compatible |
| Ambience | Silent |
| Safety Certification | ETL / CETL |
| Warranty | Limited Lifetime |

NEW JAN 21, 2020 DOE MOTOR EFFICIENCY DATA

| Fan Diameter | 42 inch / 107 cm | 52 inch / 132 cm | 60 inch / 152 cm |
|-----------------|------------------|------------------|------------------|
| RPM (Low/High) | 51 / 231 | 51 / 193 | 52 / 155 |
| CFM (Low/High) | 746 / 3743 | 1254 / 5326 | 1755 / 5720 |
| Watts (High) | 17.61 | 32.38 | 32.08 |
| CFM/Watt (High) | 176 | 160 | 181 |
| Blade Pitch | 15° | 15° | 15° |

STANDARD EQUIPMENT

Black 6-speed RF remote control with reverse



White wireless Decora-style, 6-speed, wall control with reverse



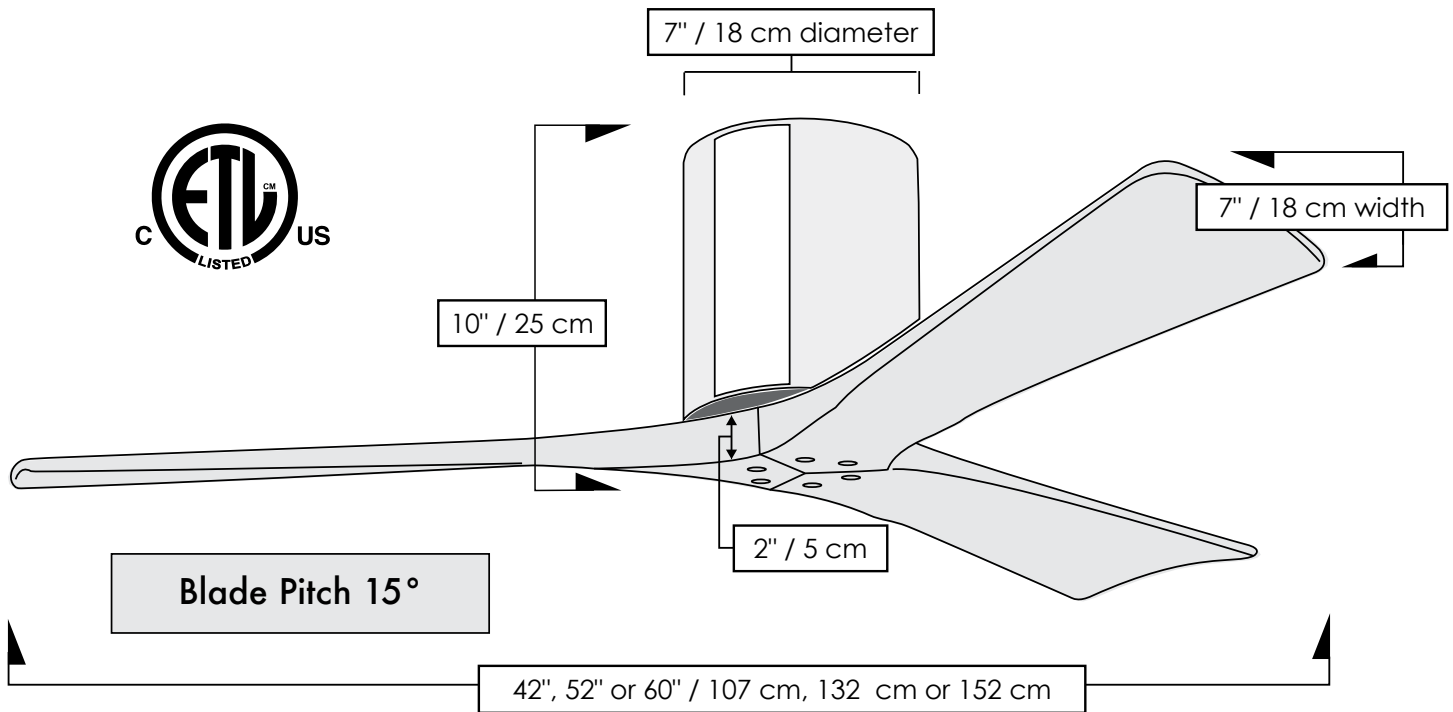
NOTE: Only compatible with included controllers.

Blade Options



Irene-3H

TECHNICAL SPECIFICATIONS



CEILING PITCH TABLE

| | |
|-------|---------------|
| 0/12 | 0 degrees |
| 1/12 | 4.76 degrees |
| 2/12 | 9.46 degrees |
| 3/12 | 14.04 degrees |
| 4/12 | 18.43 degrees |
| 5/12 | 22.62 degrees |
| 6/12 | 26.57 degrees |
| 7/12 | 30.26 degrees |
| 8/12 | 33.69 degrees |
| 9/12 | 36.87 degrees |
| 10/12 | 39.81 degrees |
| 11/12 | 42.51 degrees |

CEILING HEIGHT TABLE

Suitable for ceiling heights 7'10" or greater

Matthews Fan Company

1881 Industrial Drive
 Libertyville, IL 60048
 Tele: 847.680.9043
 Fax: 847.680.8140
 www.matthewsfanco.com

© 2021 Matthews Fan Company. All rights reserved.

