

EN-DE6PRO

Project.....
Fixture Type.....

Comments.....
Prepared By.....

Product Description:

The brand new E6™ PRO is a revolution in LED downlight performance and installation. Utilising the unique RapidWire connection system, the whole product can be fully wired and installed in a matter of seconds. The use of latching terminals provides the security of screw terminations for both solid and stranded core cables and can be wired even faster than standard push fits. The removable connector allows full circuit insulation resistance testing without risking any damage to the downlight, which can be simply plugged in afterwards.

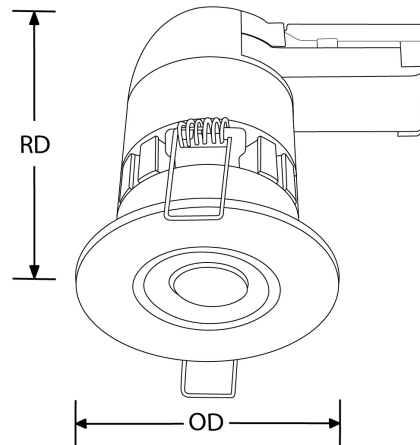
Product Image:



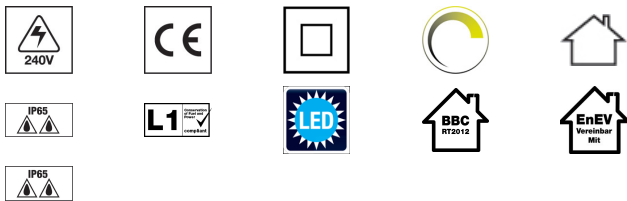
Product Feature:

- Quick, easy and fully tool-free installation
- Plug in connection system for first fix and insulation resistance testing
- High performance up to 103lm/W
- EnFiniti™ edge-to-edge multifaceted polycarbonate lens for low glare and halogen like appearance
- Wide 60° beam angle delivers increased light distribution
- Fibre based insulation coverable - up to 300mm
- Super slim interchangeable IP65 bezels provide a high end sleek finish
- Compatible with Aurora FastRfix™ connector
- Tested in 30, 60 and 90-minute fire rated ceilings
- 5 year warranty

Product Dimension:



Compliance & Approvals:





Product Specs:

Input Voltage	220~240V AC
Input Frequency	50/60HZ
Power Factor	0.8
Operating Temp (Min-Max)	-20-45°C (-4~113°F)
Dimmable	Yes
Dimensions	mm (L) x mm (W) x mm (H) x 85mm (OD) x 100mm (RD) x mm
Number of LEDs	12

SKU Table and Ordering

SKU Code	Colour	lm	Wattage	Lumens/Watt	Product Type
EN-DE6PRO/30	3000	580	6	96.67	Dimmable
EN-DE6PRO/40	4000	620	6	103.33	Dimmable

Accessories:

SKU Image	SKU Code	Description
	AU-FRLM10EM	3 Hour Maintained Emergency Pack
	EN-BZE8	E6™ PRO/E8™ Fixed IP65 Aluminium Downlight Bezel

Warranty

This product has a warranty period of 5 Years from the date of purchase. The warranty is invalid in the case of improper use, installation, tampering, and removal of the Q.C. date label; installation in an improper working environment or installation not according to the current edition of the National Electric Code. Should this product fail during the warranty period it will be replaced free of charge, subject to the correct installation of the original product and subsequent return of the faulty unit. Aurora does not accept responsibility for any installation costs associated with the replacement of this product and Aurora reserves the right to alter specifications without prior notice.

ZA Sales & Distribution
 Building 6 Pinewood
 Office Park 33 Riley
 Road, Woodmead Gauteng
 South Africa
 Tel : +27 (0) 11 234 4878