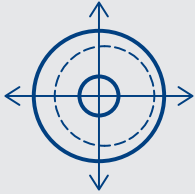
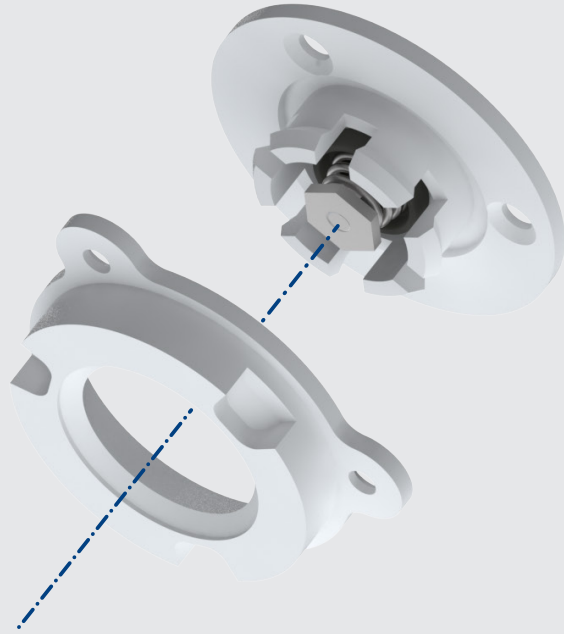


ITEM MFL

MINI FITLOCK

IN ACETAL RESIN / NYLON



exclusive displacement of
3 mm
in all directions

PATENTED SYSTEM

Benefits

- Precise and quick assembly
- Versatility of use
- Minimum size

Markets



Fitlock® is a pressure fixing system which offers unique benefits for mounting of panelling.

Designed for cladding ceiling panels and walls of any kind, Fitlock® fastening offers high performance in terms of stability and reliability.

Mini Fitlock has been designed for mounting small-sized panels also on walls/brackets with reduced thickness.

Easy to install, remove, and place, Fitlock® simplifies the hardest procedures of inspection, maintenance, and recovery.

Fitlock® is the innovation that revolutionizes the pressure fixing assembly.

INSTALLATION

MANUAL POSITIONING

In the installation stage, the fixing points can be marked on the panels using a marker (code MM) for an error-free pre-arrangement.

SPACER

It allows to adjust the gap between the panel and the bracket.

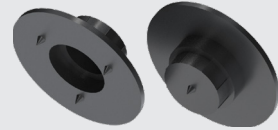
CAD-CAM POSITIONING

Thanks to the DWG files supplied, the fixing points can be positioned on the panels in the design/production stage.

ACCESSORIES

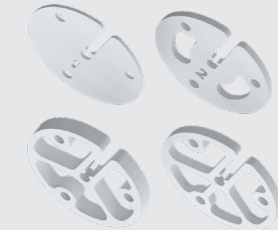
MM

Mini Marker



MD1/MD2/MD3/MD5

Spacers



MP

Mini Protection Cap

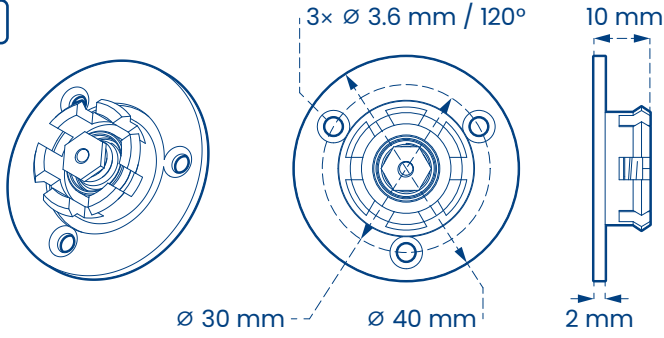


	SOFT	HARD	SUPER HARD
M Male	MFLSM	MFLHM	MFLSHM
F Female	MFLF		
Complete	MFLS	MFLH	MFLSH
Normal force required for release	N 65 ±10%	N 120 ±10%	N 170 ±10%
Material	Acetal resin / Nylon	Acetal resin	Acetal resin
Recess/hole diameter	Ø 35 mm		
Flat diameter	Ø 41 mm		
Full weight	12 g	12 g	14 g
Screws to be used	Ø 3 mm countersunk flat head screw		

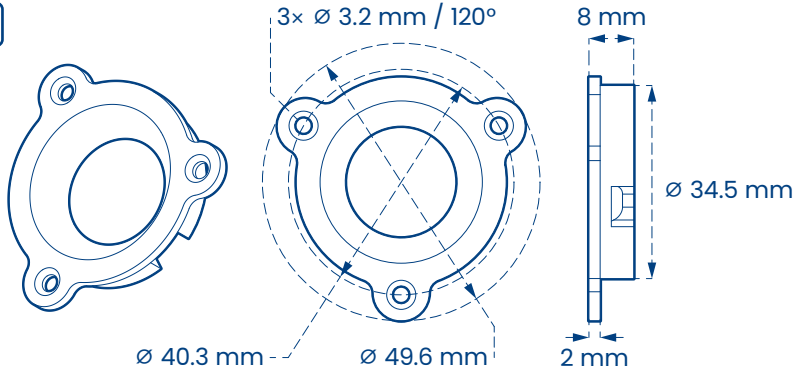
FITLOCK
SYSTEM

SIZE

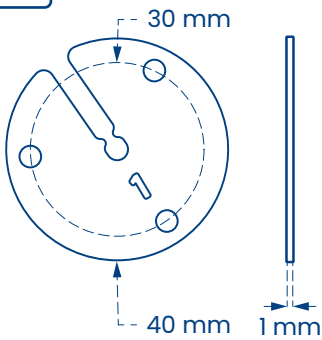
M



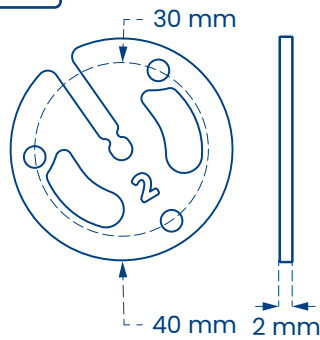
F



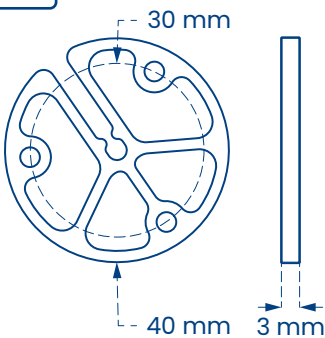
MD1



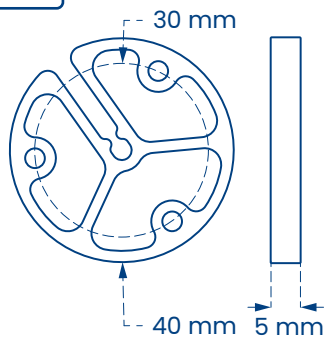
MD2



MD3

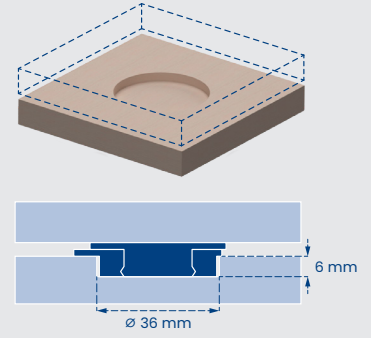


MD5

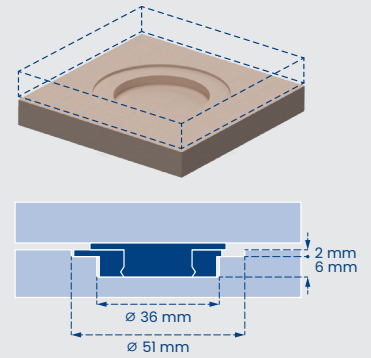


ASSEMBLY MODE

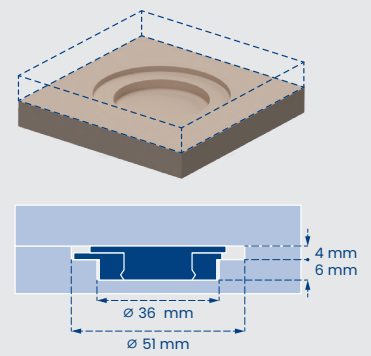
4 mm Gap



2 mm Gap



No Gap



NOTICE: The above information and provisions, although reflecting our best experience, shall be deemed as merely indicative and shall be confirmed by exhaustive practical applications. Therefore, before using the product, those who intend to use it shall determine whether it is suitable for its intended use and anyway shall undertake all responsibility resulting from its use.