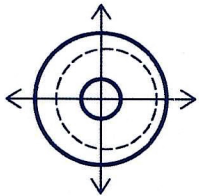


ITEM FLI/FLZ

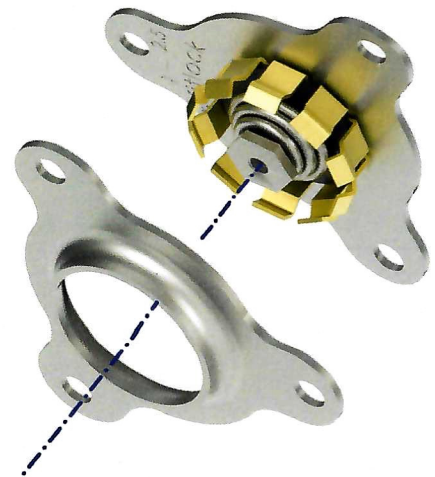
FITLOCK STAINLESS STEEL / GALVANIZED

STAINLESS STEEL / GALVANIZED



exclusive displacement of
3 mm
in all directions

PATENTED SYSTEM



Benefits

- Non-flammable
- Reduced gap of panels
- Suitable for thin panels

Markets



Fitlock® is a pressure fixing system which offers unique benefits for mounting of panelling.

Designed for cladding ceiling panels and walls of any kind, Fitlock® fastening offers high performance in terms of stability and reliability.

Mini Fitlock Stainless Steel / Galvanized differ from one another in the material that they are made of (stainless steel / galvanized iron).

Fitlock Stainless Steel / Galvanized have been conceived for environments in which the use of non-flammable materials is required.

Thanks to the very thin thickness of the flanges and to the low profile of the fastening fitting, it allows to reduce the gap between the panel and the bracket (two millimetres) to

a minimum. It also permits to use the Fitlock® system also with panels with reduced thickness (minimum 9 mm thickness of the panel).

Fitlock® is the innovation that revolutionizes the pressure fixing assembly.

INSTALLATION

CAD-CAM POSITIONING

Thanks to the DWG files supplied, the fixing points can be positioned on the panels in the design/production stage.

ACCESSORIES

LMP

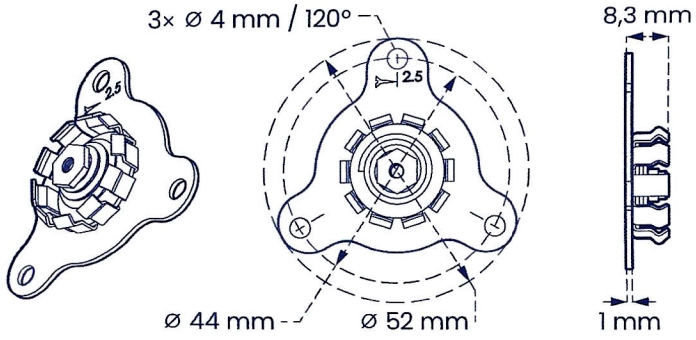
Mini Protection Cap



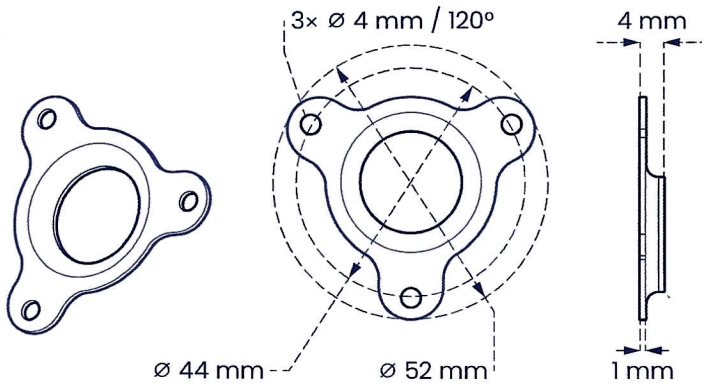
	INOX	ZINCATO
M Male	FLI_M	FLZ_M
F Female	FLI_F	FLZ_F
Complete	FLI	FLZ
Normal force required for release	N 120 ±10%	
Material	Stainless steel	Galvanized iron
Recess/hole diameter	∅ 29 mm	
Flat size	∅ 54 mm	
Full weight	20 g	
Screws to be used	∅ 2.5 mm countersunk flat head screw	

SIZE

M

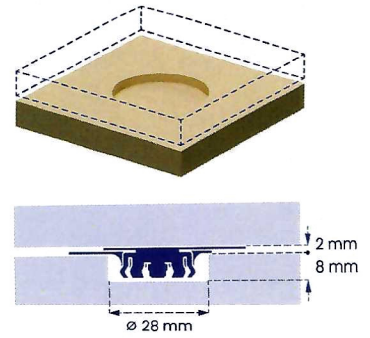


F

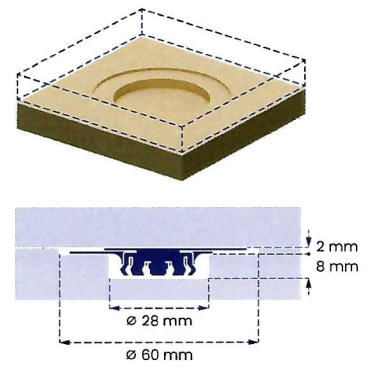


ASSEMBLY MODE

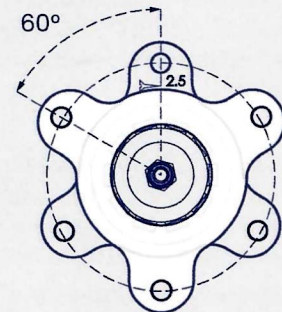
2 mm Gap



No Gap



WARNING



Offset the fastening holes by 60° between male and female to avoid screws overlapping.