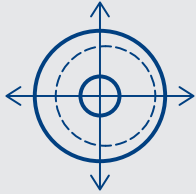
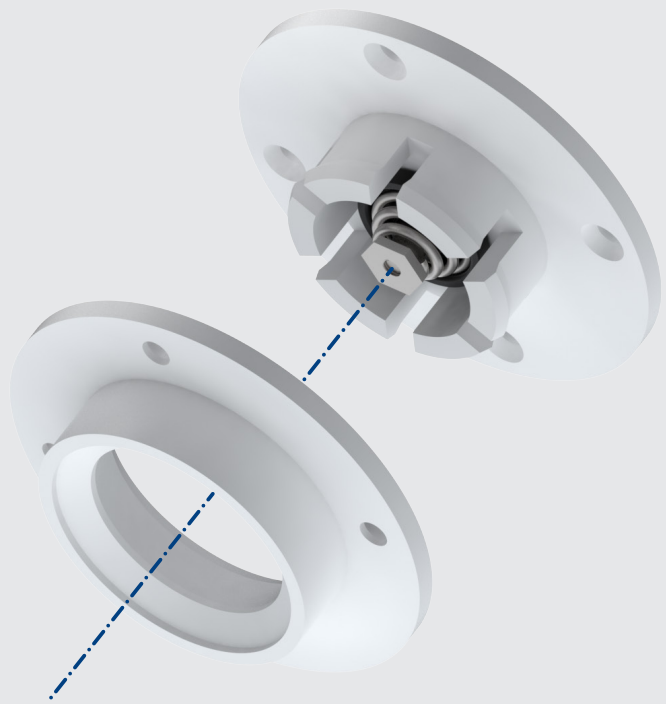


ITEM FL

FITLOCK

IN ACETAL RESIN / NYLON



exclusive displacement of
4 mm
in all directions

PATENTED SYSTEM

Benefits

- Easy installation
- Precise and quick assembly

Markets



Fitlock® is a pressure fixing system which offers unique benefits for mounting of panelling.

Designed for cladding ceiling panels and walls of any kind, Fitlock® fastening offers high performance in terms of stability and reliability.

Easy to install, remove, and place, Fitlock® simplifies the hardest procedures of inspection, maintenance, and recovery.

Fitlock® is the innovation that revolutionizes the pressure fixing assembly.

INSTALLATION

MANUAL POSITIONING

In the installation stage, the fixing points can be marked on the panels using a marker (code M) for an error-free pre-arrangement.

SPACER

It allows to adjust the gap between the panel and the bracket.

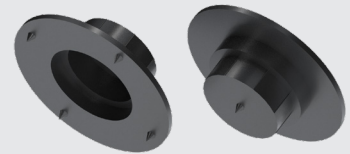
CAD-CAM POSITIONING

Thanks to the DWG files supplied, the fixing points can be positioned on the panels in the design/production stage.

ACCESSORIES

M

Marker



D1/D2

Spacers



P

Protection Cap

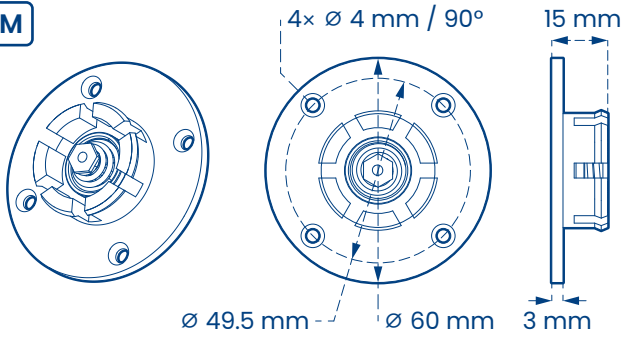


	SOFT	HARD	SUPER HARD
M Male	FLSM	FLHM	FLSHM
F Female	FLF		
Complete	FLS	FLH	FLSH
Normal force required for release	N 125 ±10%	N 185 ±10%	N 270 ±10%
Material	Acetal resin / Nylon	Acetal resin	Acetal resin
Recess/hole diameter	∅ 40 mm		
Flat diameter	∅ 61 mm		
Full weight	32 g	32 g	34 g
Screws to be used	∅ 3.5 mm countersunk flat head screw		

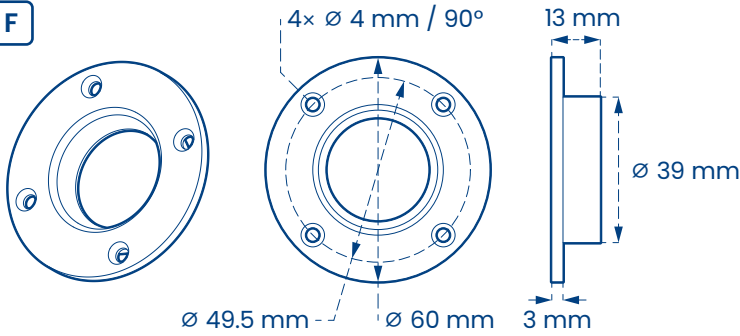
FITLOCK
SYSTEM

SIZE

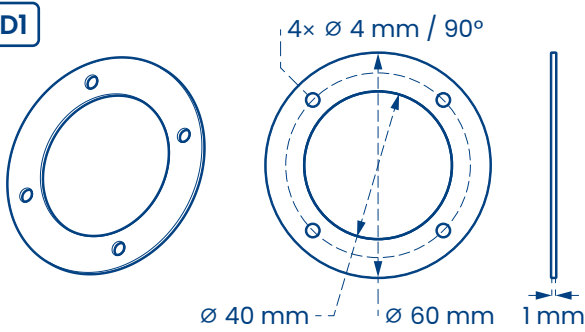
M



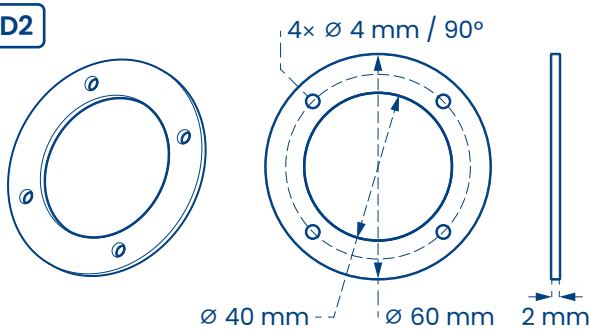
F



D1

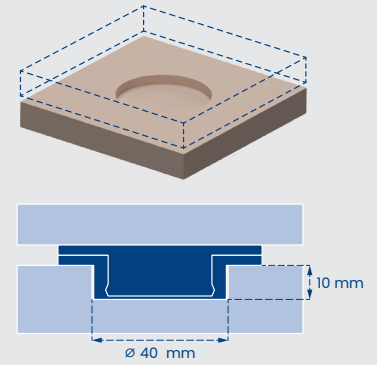


D2

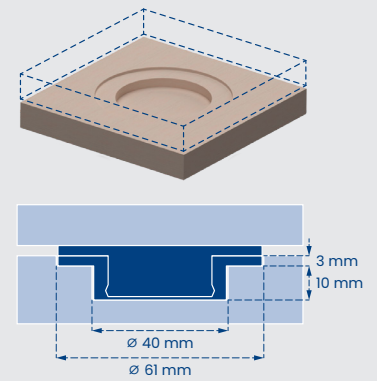


ASSEMBLY MODE

6 mm Gap



3 mm Gap



No Gap

