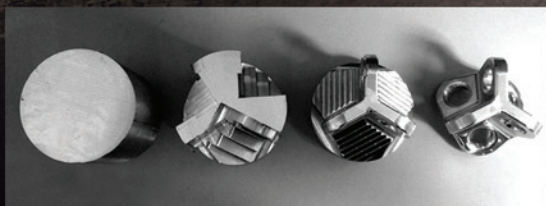


ROCKSTAR 3D RIGPLATE

In 2011, the world of professional rigging celebrated the release of the UFO—the world's first 3D rigging plate. For 2013, we improve upon the original design and introduce the rockStar. Like the UFO, the rockStar gives rigging professionals a variety of advantages over flat rigplates, and greatly aids those working in dynamic environments by providing what is now becoming a rigging phenomenon: the floating anchor. Now professionals have the ability to connect multiple lines from several dimensions to create an anchor in space that before the release of our first 3D rigplate, was cumbersome and complex.

Like with many Rock Exotica products, the rockStar is machined from a solid block of aluminum, which adds to its strength and nimble characteristics.



The progression of the rockStar from a solid cylinder to the finished, machined piece.



The rockStar is shown with the rockO WireEye

FEATURES AND BENEFITS

- Alleviates the effect of torque on the rigplate by orienting toward the applied forces.
- Simplifies rigging and the attachment of connectors by providing anchor points in a variety of angles and directions.
- Weighs just 7.4 oz (470 gm)—1/3 the weight of the original 3D rigplate yet provides many practical connection points.
- Machined from solid, aircraft grade aluminum alloy for strength and weight advantage.



rockStar

Part #: RP22

MBS: 36 kN

Height: 2.75"

Width: 2.75"

Weight: 7.4 oz (470gm)

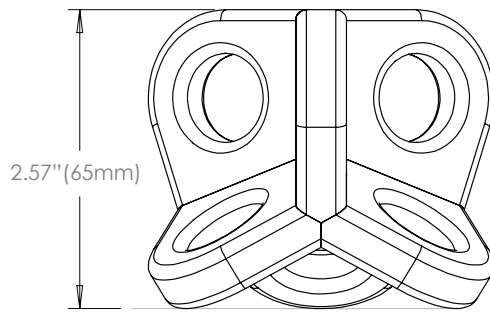
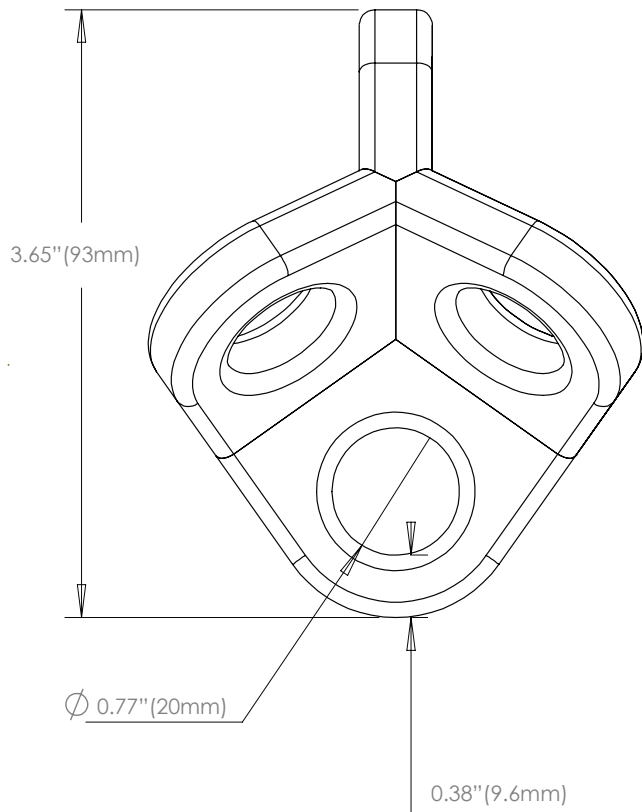
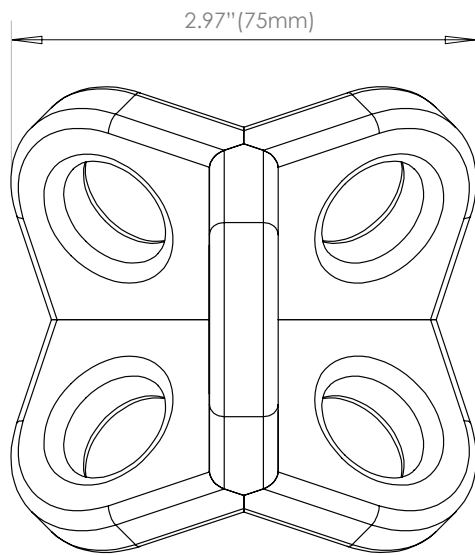
Certification: Pending CE

See page 2 for full specifications



RP22 - ROCKSTAR

MBS: 36kN
 Weight: 7.4 oz (209gm)
 Width: 3.0" (75mm)
 Height: 3.7" (93mm)
 Depth: 2.6" (65mm)
 Material: Aluminum Alloy
 Certification: Pending CE



OTHER VIEWS

