

RP420 SmartSnap™ Belay Device

Data Sheet



climb. work. rescue.



SOLUTIONS IN METAL



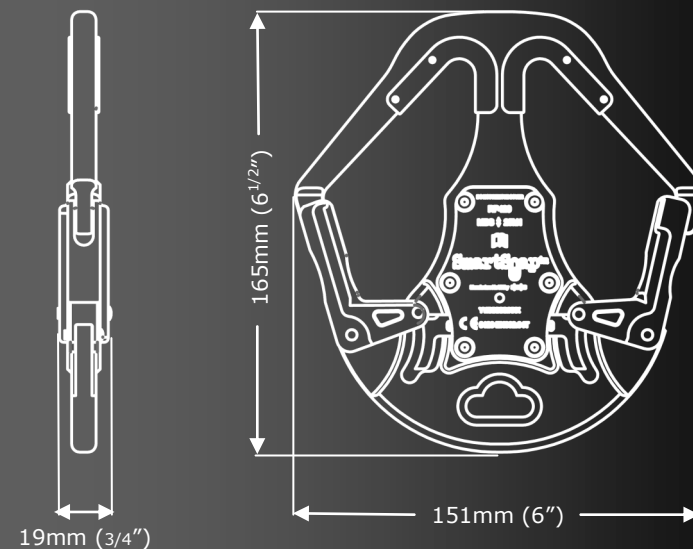
KY005 Wire Key



KY004 Ring key



SmartSnap™ is a self-belay system which allows a user to traverse all the individual elements of a course without ever being able to detach from the line. SmartSnap™ is really simple to use and therefore doesn't require in depth user training. SmartSnap™ has two locking gates, which are controlled by a mechanism which only allows one gate to be open at any one time.



Weight	316g (11oz)
Body Material	Aluminium
Key Material	Solid Stainless Steel
Rope Guide Material	Stainless Steel
Finish	Anodised
Rope Size	Max 13mm (1/2")
Gate Opening	24mm (15/16")
MBS	25kN (5620lbf)