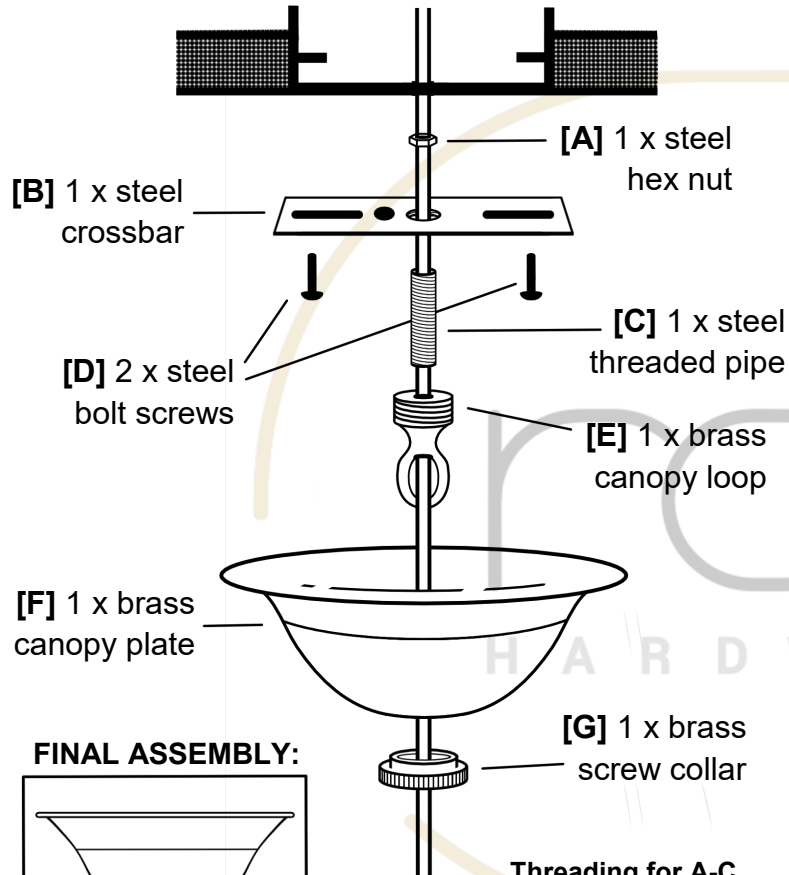
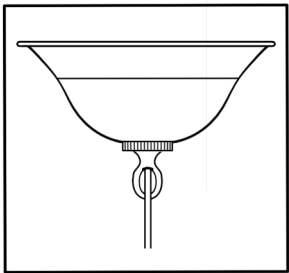


ASSEMBLING YOUR CANOPY



FINAL ASSEMBLY:



Threading for A-C varies by style:

- 1/8 IPS: CN-BR05
 CN-BR11H
1/4 IPS: CN-BR21

1. Thread the fixture wire through each of the listed components in the order depicted. (Ensure the flat side of the crossbar [B] is facing up as shown)
2. Screw the threaded pipe [C] into the crossbar [B] & into the hex nut [A].
3. Using the 2 bolt screws [D], mount the crossbar to the electrical box.
4. Once secure, screw the loop [E] all the way onto the threaded pipe [C].
5. Place the canopy plate [F] over the loop and onto the ceiling.
6. Fasten the screw collar [G] onto the loop, firmly holding the canopy plate against the ceiling.
7. Attach your chain to the loop, and hang your fixture!

Please note: the canopy depicted may differ from what you ordered, but the assembly diagram is still applicable regardless of style.