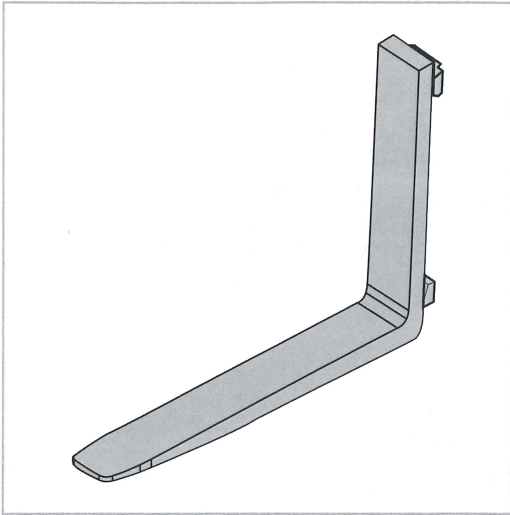


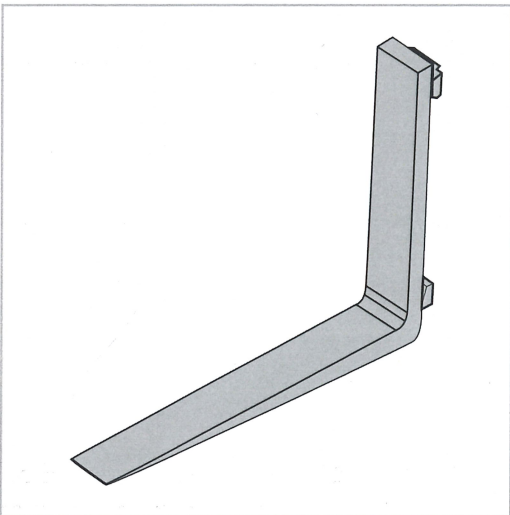
Fork tips are suitable to make the insertion into loads easier.

03



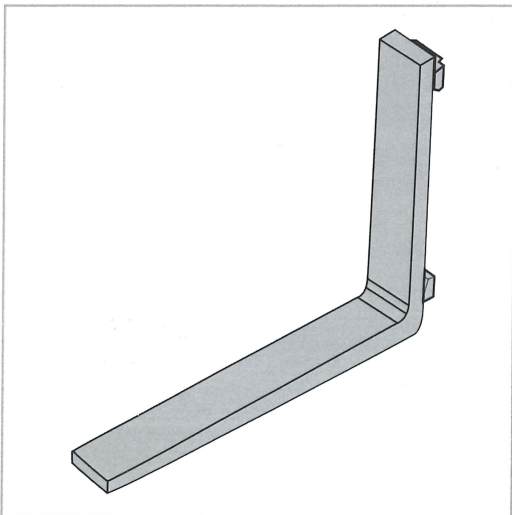
Standard tip

---



Square tip with reduced thickness  
for easier penetration into loads

---



Square tip for special applications

---

For any further tip versions, please consult Bolzoni Auramo, providing specifications and drawings.