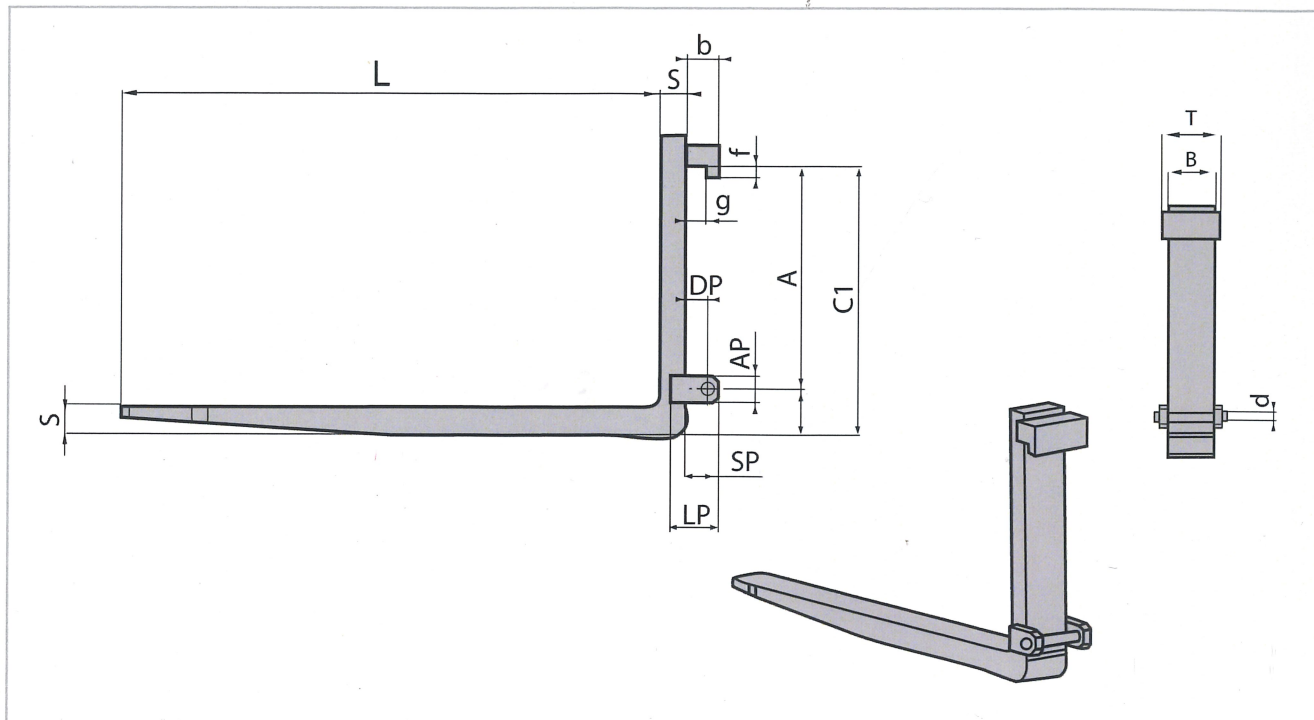


Terminal West forks are suitable for quick interchangeability between forks and attachments. The system allows the driver to change forks quickly on his own during a shift without any additional equipment.



04

Customer reference

Company:

Address:

Phone-office:

Fax:

Mobile:

E-mail address:

Contact:

Other info:

Technical Data

Length (L)	mm	
Width (B)	mm	
Thickness (S)	mm	
Hook width (T)	mm	
Upper hook thickness (b)	mm	
Hook height from ground (C1)	mm	
Hook and pin distance (A)	mm	
Tooth height (f)	mm	
Tooth width (g)	mm	
Plate height (AP)	mm	
Plate length (LP)	mm	
Plate overhang (SP)	mm	
Pin diameter (d)	mm	
Pin distance (DP)	mm	