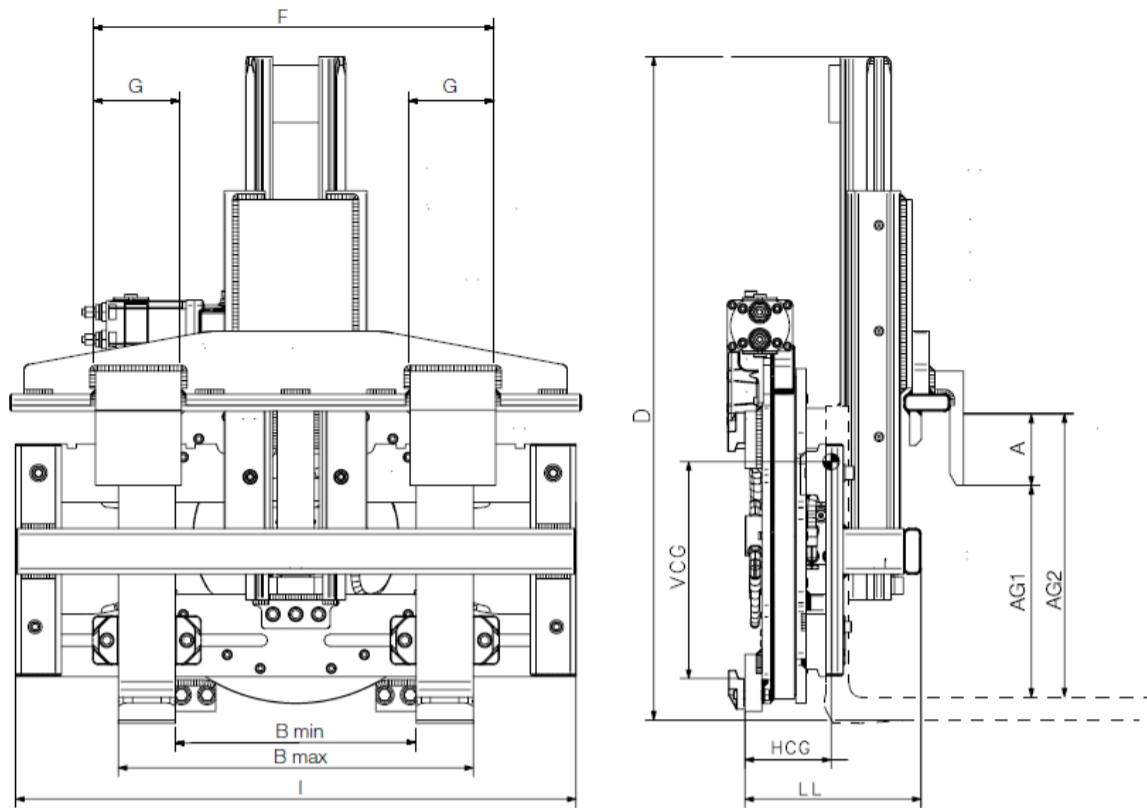


Models RCG



Range: 2000 Kg - 3500 Kg

Plus:

- 360-degree rotator with ISO-2328 fork carriage for all applications requiring rotation. Commonly used in industries where the working cycles require rotation or emptying of boxes or containers.
- Fork carriage welded to the rotating frame.
- Fast and high-torque rotation.
- Continuous rotation both ways.

Model	Capacity	Load Centre	Fork Carriage Width	Opening Inside Forks	Opening Outside Forks	Hook opening	Hook opening	Weight	Horizontal Centre of Gravity	Effective Thickness	Height	Max. Torque	Rotation Speed "rpm"	Mounting Class
	Q kg	BP mm	I mm	B min. mm	B max. mm	AG1 mm	AG2 mm	W Kg	HCG mm	LL mm	D mm	CN kg/mt	DC ① round/ min.	ISO 2328
RCG 20 10A 37-87	2.000	500	980	320	820	370-870	500-1000	375	151	308	1.160	618	4,4	2 A
RCG 20 10A 22-90	2.000	500	980	320	820	220-900	350-1030	385	158	308	1.460	618	4,4	2 A
RCG 20 10A 46-113	2.000	500	980	320	820	460-1130	590-1260	490	252	308	1.410	618	4,4	2 A
RCG 25 10A 37-87	2.500	500	980	320	820	370-870	500-1000	360	151	318	1.160	837	4,4	2A
RCG 25 10A 22-90	2.500	500	980	320	820	220-900	350-1030	490	158	318	1.460	837	4,4	2 A
RCG 25 10A 46-113	2.500	500	980	320	820	460-1130	590-1260	465	252	318	1.410	837	4,4	2A
RCG 35 11B 37-102	3.500	500	1.150	420	990	370-1020	500-1150	630	221	325	1.430	1.227	5,4	3 A
RCG 35 11B 45-112	3.500	500	1.150	420	990	450-1120	580-1250	650	236	325	1430	1.227	5,4	3 A

Notes:

- Two hydraulic functions.
- Rotators are delivered without forks. The majority of lift truck forks can be used without any modifications.
- Forks are available on request, please consult Bolzoni.
- The lower hooks of the forks must be capable of carrying the rotators rated capacity.
- Mountings: Standard mounting according to ISO 2328.
- Price does not include connection hoses.

① Rotation speed with recommended oil flow rate. See page 8-8.

A = 130 mm, F = 700 mm, G = 150 mm.

On request:

- Other fork carriage widths available, please consult Bolzoni.
- Separate sideshifting mounting:
 - ISO 2328 2.....€
 - ISO 2328 3.....€