

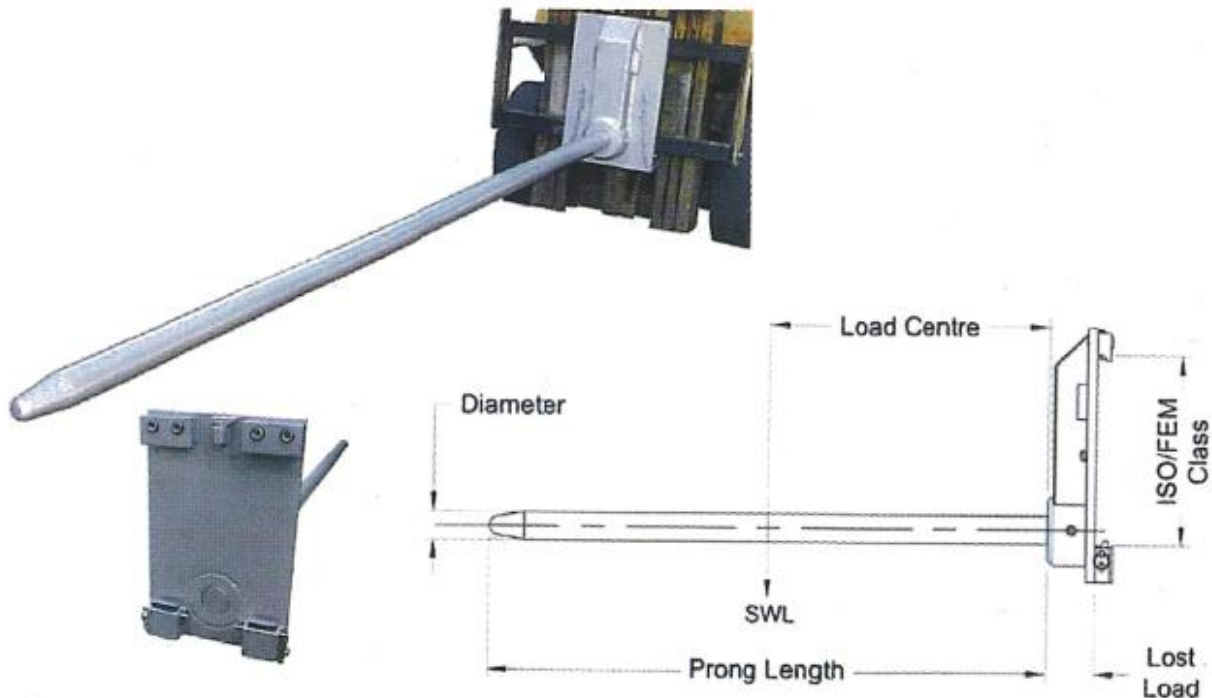


0800 880 101

sales@rtequipment.co.nz

Roll Prongs Carriage Mounted

The carriage mounted roll prongs are suitable for carpet, vinyl, fabric, etc. Units are available for Class II, III and IV forklift carriages, along with pin mounted. All prong models are fitted with "quick release" bottom mounting hooks providing a safe and easy connection to the forklift carriage, saving time and eliminating the need for any tools. Prongs are made from high tensile steel. Enamel paint finish. Includes instruction manual and manufacturer certificate to AS 2359.1.



Product Code	Mounting Class	Prong Diameter mm	Prong Length mm	Safe Working Load / Load Centre	Unit Weight kg
RPC-2-40-120	2	40	1200	200 kg @ 600 mm	63
RPC-2-50-180	2	50	1800	250 kg @ 900 mm	79
RPC-2-60-280	2	60	2800	340 kg @ 1400 mm	113
RPC-2-70-280	2	70	2800	510 kg @ 1400 mm	135
RPC-2-80-280	2	80	2800	850 kg @ 1400 mm	166
RPC-3-70-280	3	70	2800	510 kg @ 1400 mm	190
RPC-3-80-280	3	80	2800	850 kg @ 1400 mm	220
RPC-3-90-280	3	90	2800	1,285 kg @ 1400 mm	248
RPC-3-100-280	3	100	2800	1,700 kg @ 1400 mm	282
RPC-4-125-120	4	125	1200	6,500 kg @ 600 mm	280
RPC-4-125-280	4	125	2800	2,785 kg @ 1400 mm	440
RPC-4-150-120	4	150	1200	10,000 kg @ 600 mm	360
RPC-4-150-280	4	150	2800	4,285 kg @ 1400 mm	565
RPC-PM-200-120	Pin Mount	200	1200	13,000 kg @ 600 mm	1400