

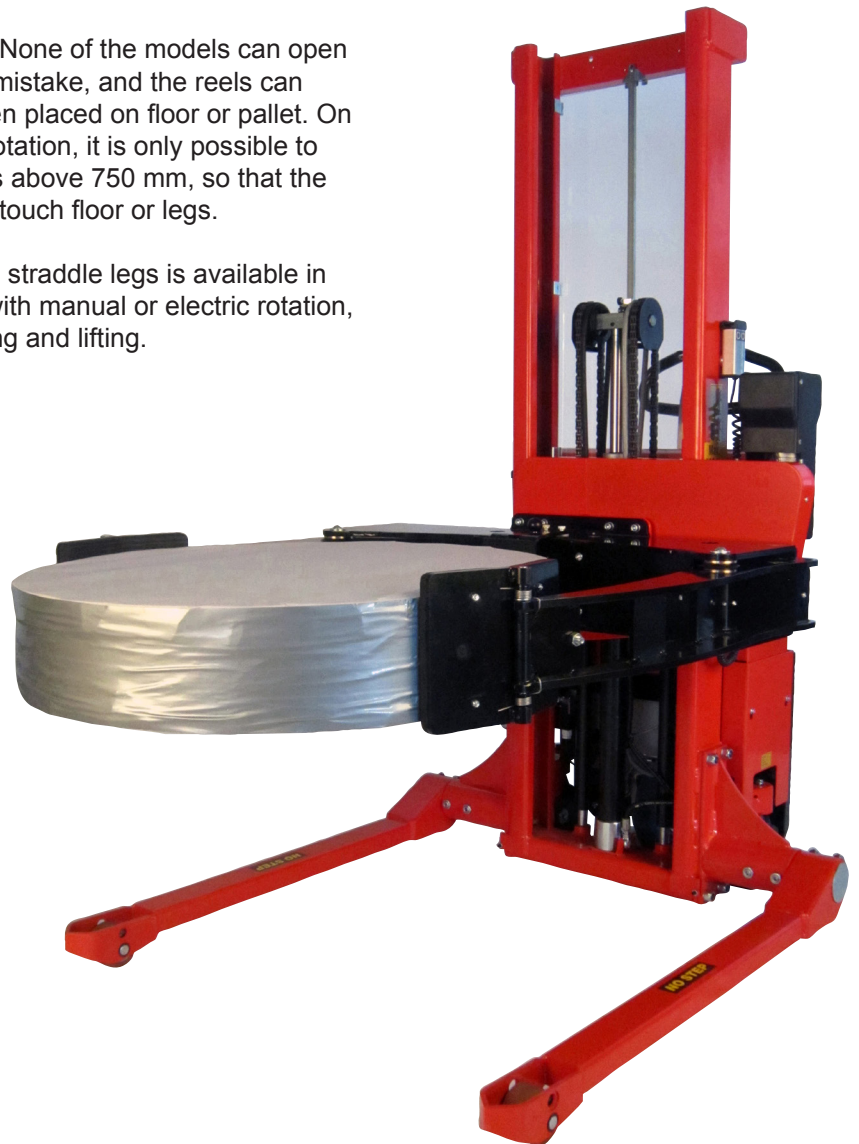
Reel Rotator with straddle legs – handling of heavy reels from all pallet types

When heavy reels, e.g. placed on closed pallets, are to be transported, lifted and rotated, the Reel Rotator with straddle legs is the perfect choice! It can grip and place reels, which are located on all types of pallets. It is compact, very manoeuvrable and ensures the user ergonomically correct working conditions.

The reels are fixed with gripping arms, having rubber-covered gripping pads to achieve the largest friction and to ensure a gentle grip. The Reel Rotator manages soft as well as smooth and hard reels.

High focus on safety! None of the models can open the gripping arms by mistake, and the reels can only be released, when placed on floor or pallet. On models with electric rotation, it is only possible to rotate at lifting heights above 750 mm, so that the gripping arms cannot touch floor or legs.

The Reel Rotator with straddle legs is available in four unique models, with manual or electric rotation, reel fastening/releasing and lifting.



REEL ROTATOR WITH STRADDLE LEGS

Technical Specifications

Available in four models and can handle

- Vertical reels placed on floor or pallet (no matter which pallet type)
- Horizontal and vertical reels that are clear off the floor

On trucks with manual rotation, the tilt degree can be set for every 90° (with a locking system). Trucks with electric rotation have programmable tilt degree.



Opening the gripping arms by mistake is not possible. Clear indication whether the clamping force is sufficient for lifting/rotating.

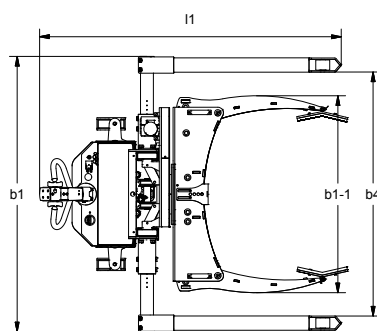
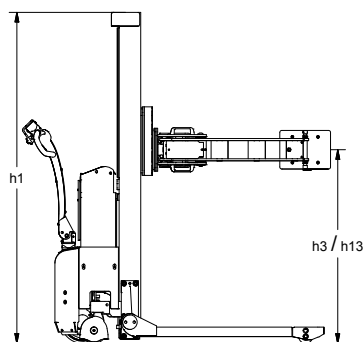


Touch screen. Log function. Possible to program e.g. several stops, turning angle, speed, rotation. Shows error messages.

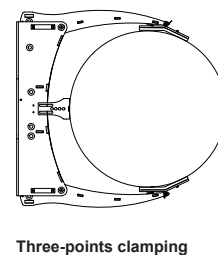
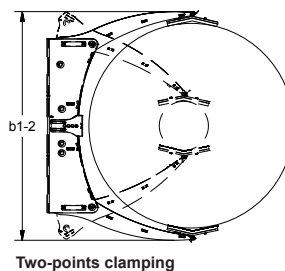


The electric trucks have remote control.

| Product (measured in mm) | LFSRRM 1001 | ELFSRRM 1001 | ELFSRRE 1001 | SELFSRRE MAXI 1003 |
|----------------------------------|---|-----------------|-----------------|--|
| Capacity in kg | 500 | 500 | 500 | 500 |
| Reel diameter | 120 - 1270 (two-points clamping: 120 - 1270, three-points clamping: 800 - 1270) | | | |
| Opening gripping arms | max. 1300 | | | |
| Lifting height | h ₃ 1750 | | | |
| Overall height | h ₁ 1925 | | | 1930 |
| Overall width | b ₁ 166 + b ₄ (min. 1130 mm) | | | |
| Overall width gripping arms min. | b ₁₋₁ 1150 | | | |
| Overall width gripping arms max. | b ₁₋₂ 1445 | | | |
| Width between legs | b ₄ 850 - 942, 942 - 1124, 1124 - 1306, 1240 - 1422 | | | |
| Overall length | l ₁ 1585 | 1705 | | 1760 |
| Lowered height | h ₁₃ 225 | | | |
| Rotation height | min. 750 | | | |
| Gangway | A _{st} 2290 - tests show that 1700 mm are enough | | | 2200 - tests show that 1700 mm are enough |
| Turning angle of the wheels | 210° | | | |
| Driving motor | | | | 1,2 kW 24 V speed control electronically variable |
| Driving speed with/without load | | | | Below 500mm lift: 5/6 km/h, over 500 mm lift: 3/4 km/h |
| Pump motor | 1,1 kW 12 V | | 1,1 kW 12 V | 1,2 kW 24 V |
| Lifting speed with/without load | Normal/quick: 8/26 mm per pump | 0,05 / 0,07 m/s | 0,05 / 0,07 m/s | 0,07/0,12 m/s |
| Lowering speed with/without load | Max. 0,05 m/s / Max. 0,07 m/s | 0,12 / 0,04 m/s | 0,12 / 0,04 m/s | 0,12/0,07 m/s |
| Weight in kg (no battery) | 400 | 430 | 430 | 480 |



Can be adjusted for two-points or three-points clamping:



We also offer tailor-made solutions.

Please ask for further information or visit our website www.logitrans.com