

Reel Lifter – positions reels gently and easily

When different reels, e.g. foil reels, paper reels, or cylinders, are to be placed in packing, printing or production machines, the Reel Lifter is the perfect choice. The space is often limited around or under the machine, and the reels are often placed inside the machine, where the manoeuvrability is limited.

The Reel Lifter is compact and very manoeuvrable, and it can thus position the reel in the correct place in the machine, without lifting by the operator. The Reel Lifter is the perfect partner to the Reel Rotator, which can take a reel from e.g. a pallet, rotate it and place it onto the Reel Lifter. The Reel Lifter transports the reel to the machine.



Technical Specifications

Effortless and gentle positioning of reels in e.g. a production machine.

The axle, fixing the reel in the production machine, is also used during the transport on the Reel Lifter. Thus, the reel can easily be positioned in the correct place in the machine.

With the flexible locking system, the Reel Lifter forks can easily be set to different reel sizes.

Special flow valve controls the lowering function and ensures a gentle positioning of the reel.

Strong construction and low maintenance costs.



Flexible locking system easily sets the Reel Lifter forks to different reel sizes.



Special flow valve ensures a controlled lowering and a gentle positioning of the reel.



The narrow and short Reel Lifter legs make it possible to take the reel the last steps into the machine.

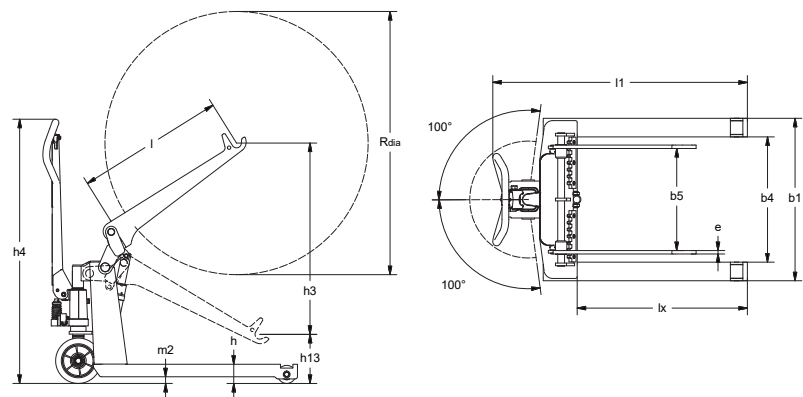
Product (measured in mm)		RL500
Capacity in kg		500
Reel diameter	R_{dia}	max. 1270
Reel width		max. 520
Lifting height	h_3	800
Overall height	h_4	1170
Lowered height	h_{13}	250
Lifted height	$h_{13} + h_3$	1050
Leg height	h	85
Fork span	b_5	100-520
Overall width	b_1	720
Width between legs	b_4	550
Fork width	e	15
Fork length	l	650
Run-in length	l_x	750
Overall length	l_1	1125
Ground clearance	m_2	29
Turning angle		200°
Fork wheel		Ø80x60
Steering wheel		Ø200x50
Weight in kg		92



Compact, very manoeuvrable and ensuring the operator ergonomically correct working conditions.



Reel Lifter is a unique partner to Reel Rotator.



We also offer tailor-made solutions.

Please ask for further information or visit our website www.logitrans.com