

## **Platform - carrying different goods**

High flexibility and efficiency - the platform makes it easy to lift and carry goods, such as equipment with wheels or small trolleys. The platform can also be used for pallet handling.

The platform with quick shift system can readily be fitted on all Logiflex models with straddle legs. Furthermore the platform can easily be exchanged with one of the various Logitrans fork options and optional extras.

A wide range of optional extras ensures an optimum utilisation of the Logiflex - the same Logiflex can be fitted with spear, crane arm, drum turner and reel rotator.

High quality is ensured through an extended test programme and in cooperation with experts in Health and Safety.



## Technical Specifications

The platform also lifts and carries non-palletised goods

- equipment with wheels
- small trolleys
- high pressure cleaners
- vacuum cleaners

### Facts about the platform

- max. capacity of 1000 kg, when the load is distributed evenly
- width 1092 mm
- length 990 mm or 1220 mm

The platform has quick shift system and can easily and quickly be fitted on all Logiflex models with straddle legs.

Strong construction ensures a long operating life and low maintenance costs.



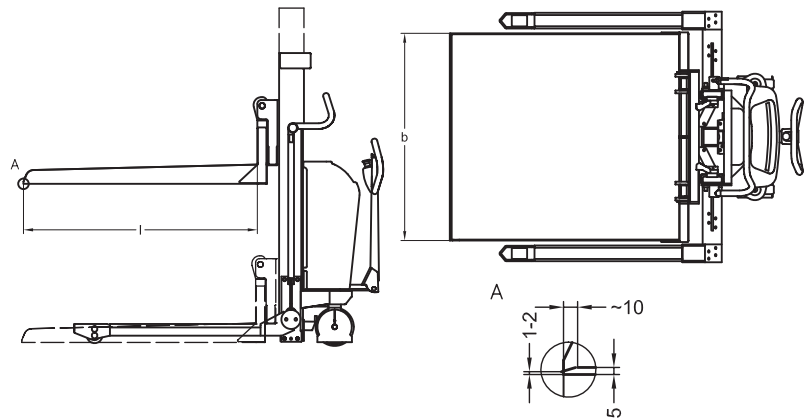
Quick shift system makes it easy to replace the platform with other optional extras or forks.



The platform being used carrying a vacuum cleaner.



Logitrans offers a wide range of optional extras, e.g. crane arm, spear, reel rotator and drum turner.



The platform being used carrying a high pressure cleaner.

Product (measured in mm)		
Platform can be fitted on		LFS, ELFS, SELFS
Capacity		Max. capacity 1000 kg (when the load is distributed evenly)
Width of platform	b	1092
Length of platform	l	990, 1220



The sloping edge ensures an easy entrance to the platform.



Remote control is available as an optional extra.



Logiflex with platform lifting trolley from ramp.



The Logitrans product range is available in all RAL-colours.

*We also offer tailor-made solutions.*

*Please ask for further information or visit our website [www.logitrans.com](http://www.logitrans.com)*