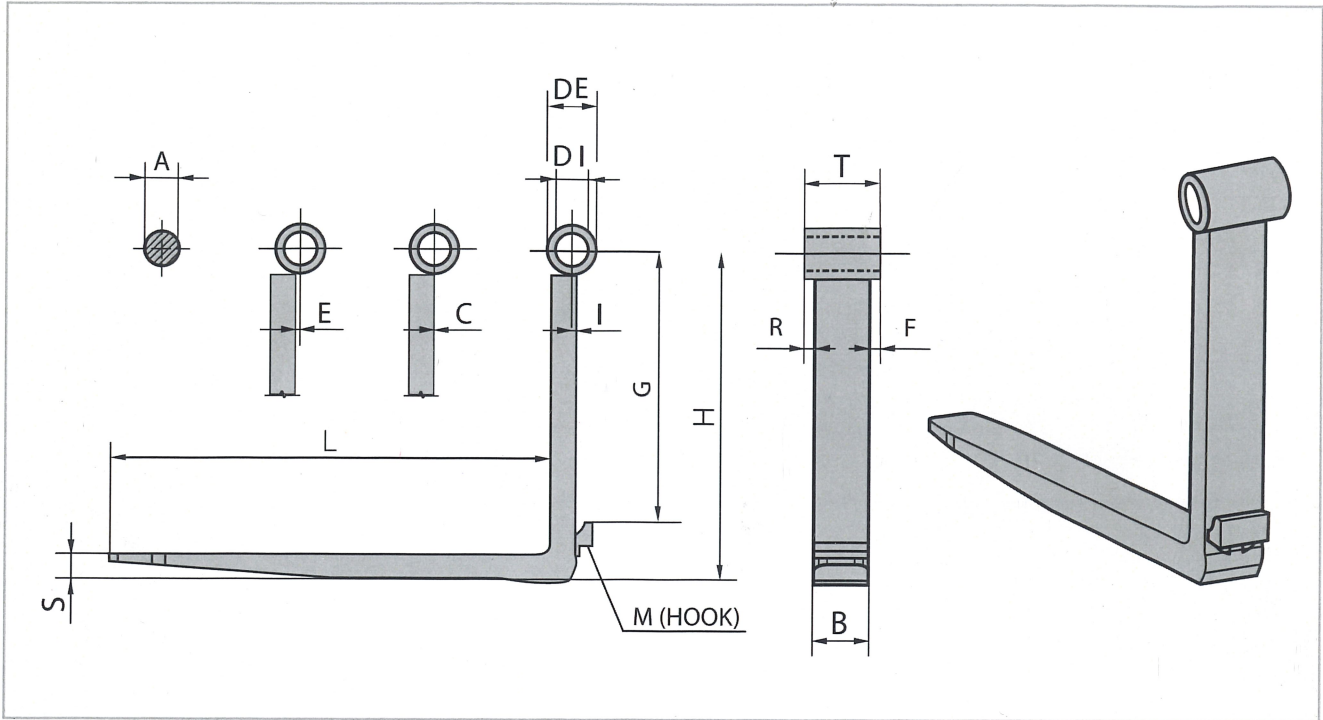


Pin-type forks are guided on a shaft. Mainly used on larger lift trucks and on industrial and construction machines, this model is suitable for Bolzoni Auramo fork positioner FP-FN series.



04

Customer reference

Company:

Address:

Phone-office:

Fax:

Mobile:

E-mail address:

Contact:

Other info:

Technical Data

Length (L) mm

Width (B) mm

Thickness (S) mm

Back height (H) mm

Lower hook position (G) mm

Tube width (T) mm

Tube int. diameter (DI) mm

Tube ext. diameter (DE) mm

Bar pin diameter (A) mm

Tube inset (I) mm

Tube offset (E) mm

Tube inline (C) mm

Tube position right (R) mm

Tube position left (F) mm

ISO 2328 hook type (M) mm