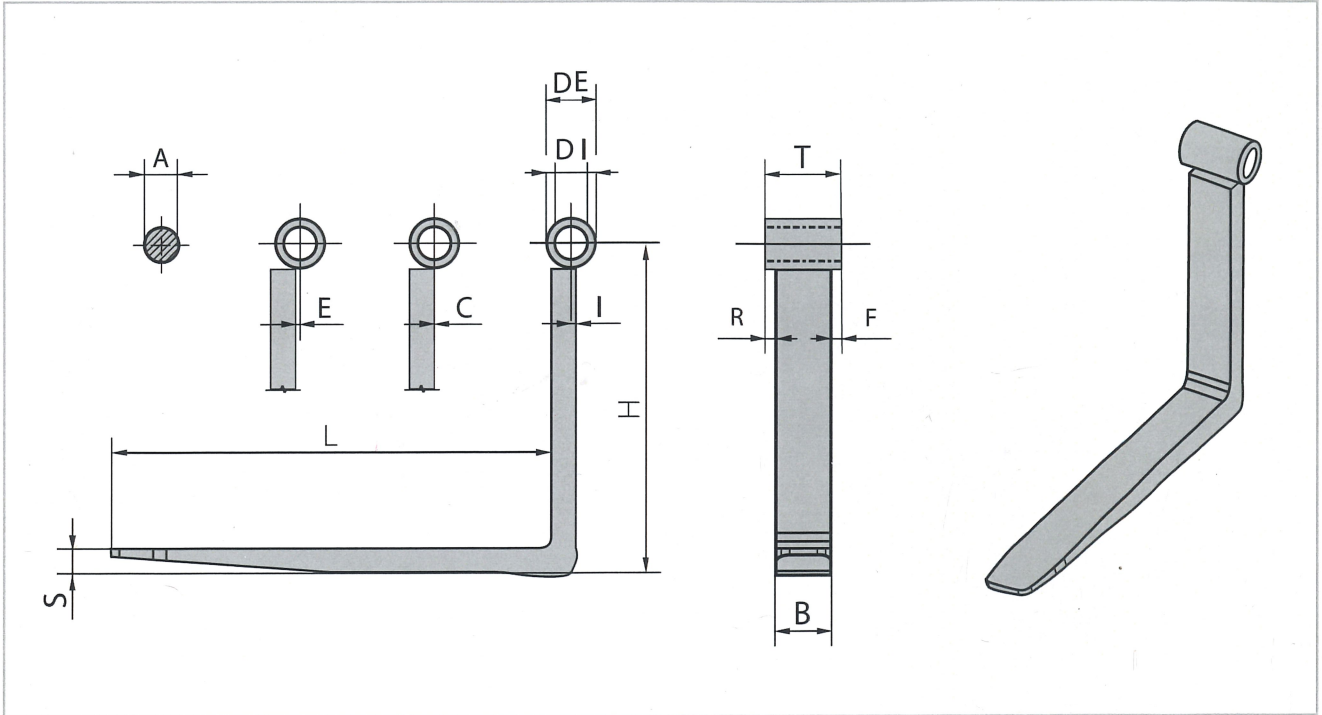


Pin-type forks are guided on a shaft. Mainly used on larger lift trucks and on industrial and construction machines.

04



Customer reference

Company: _____

Address: _____

Phone-office: _____

Fax: _____

Mobile: _____

E-mail address: _____

Contact: _____

Other info: _____

Technical Data

Length (L)	mm	
Width (B)	mm	
Thickness (S)	mm	
Back height (H)	mm	
Tube width (T)	mm	
Tube int. diameter (DI)	mm	
Tube ext. diameter (DE)	mm	
Bar pin diameter (A)	mm	
Tube inset (I)	mm	
Tube offset (E)	mm	
Tube inline (C)	mm	
Tube position right (R)	mm	
Tube position left (F)	mm	