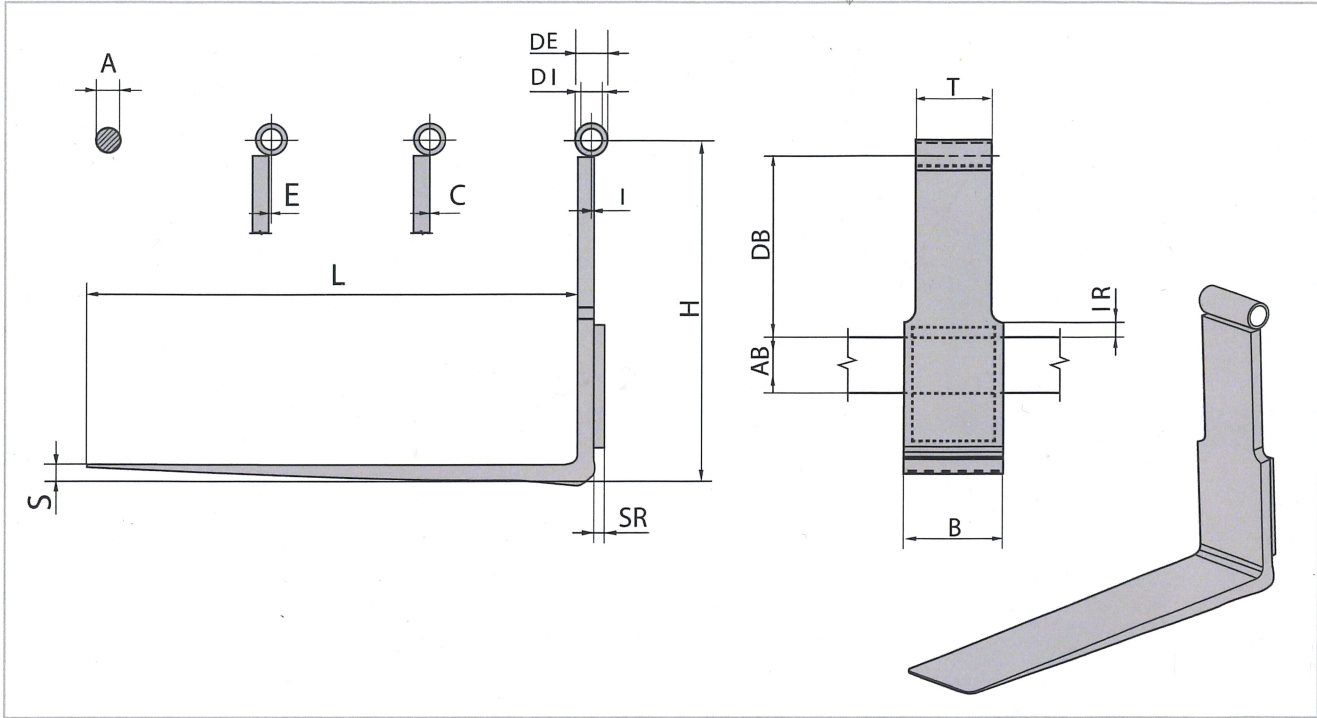


Peek-A-Boo forks are mainly used in lumber industry and are specifically designed for increasing the truck driver visibility.



04

Customer reference

Company:

Address:

Phone-office:

Fax:

Mobile:

E-mail address:

Contact:

Other info:

Technical Data

Length (L)	mm	
Width (B)	mm	
Thickness (S)	mm	
Back height (H)	mm	
Tube width (T)	mm	
Tube int. diameter (DI)	mm	
Tube ext. diameter (DE)	mm	
Bar pin diameter (A)	mm	
Tube inset (I)	mm	
Tube offset (E)	mm	
Tube inline (C)	mm	
Thickness reinforcement (SR)	mm	
Bar height (AB)	mm	
Bar distance (DB)	mm	
Tapering starting point (IR)	mm	