

Stainless pallet truck - hygienic pallet transport

Optimum hygiene - with a stainless pallet truck the risk of bacterial contamination is minimised. The stainless products were developed in cooperation with a Creamery for use in environments where the hygiene demands are severe and where the truck is exposed to an aggressive environment and thorough cleaning.

No damage to surroundings, pallets and goods
- Panther Inox Plus and Panther Inox have elegant design with rounded corners.

The design prevents industrial injuries and strain on the user - focus is put on safety and ergonomic working conditions of the user. The ergonomically correct shape of the handle ensures a relaxed hold for the user.

High quality is ensured through an extended test programme and in cooperation with experts in Health and Safety.



Technical Specifications

The stainless pallet truck is available in two models:

- **Inox Plus:** Acid-resistant fork chassis. All other parts stainless steel
- **Inox:** Acid-resistant fork chassis. Stainless handle, wheel forks, lifting arm and thrust plate. The push rod has a polymer plastic coating and the pump is chromit-treated.

Easy to clean and optimum resistance

- acid-resistant and electric polished fork chassis
- strong surface
- corrosion resistant

Long operating life and low maintenance costs

- strong construction
- AISI316L steel used on the fork chassis
- many options for lubricating



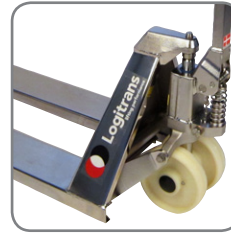
Inox Plus - for the food industry and the pharmaceutical industry with strict hygiene and sanitation requirements.



Inox - for the food industry in areas, where hygiene demands are not so high, but corrosion resistance important.



Completely open or completely closed truck elements facilitate efficient cleaning.

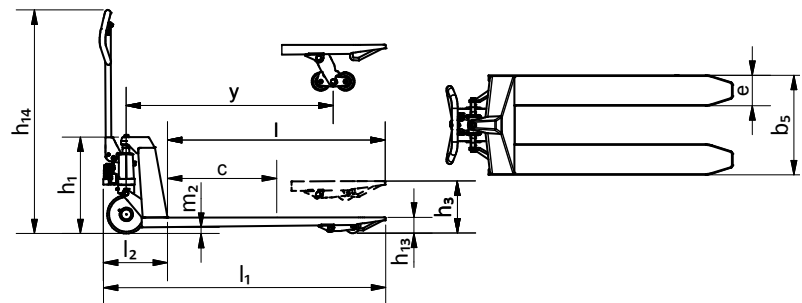


The lowered height can be adjusted.



Panther Inox Plus is also available in an explosion proof version.

Product (measured in mm)	Panther Inox Plus PIP2072	Panther Inox Plus PIP2082	Panther Inox PI2082	
Capacity in kg	2000			
Lifting height	h_3	$h_{13} + 120$		
Fork length	l	810, 915, 970, 1140, 1220, 1520		
Overall height	h_1	$h_{13} + 412$		
Fork span	b_5	520, 680		
Length without forks	l_2	335		
Overall length	l_1	$l + 335$		
Fork width	e	160		
Wheelbase	y	$l + 25$		
Overall height	h_{14}	1170		
Lowered height	h_{13}	75 to 83	85 to 93	85 to 93
Load centre	c	$l/2$		
Ground clearance	m_2	$h_{13} - 51$		
Turning angle of the wheels	220°			
Fork wheels - single	Ø70 x 90	Ø80 x 90	Ø80 x 90	
Fork wheels - tandem		Ø80 x 70	Ø80 x 70	
Steering wheel	Ø200 x 50			
Weight	69 kg (520 x 1140), 75 kg (680 x 1140)			



Ergonomic handle ensures the user a relaxed hold.



The pallet truck being used in the pharmaceutical industry.



Wheels with rubber-sealed bearings.

Please ask for specification details or visit our website www.logitrans.com
We also offer tailor-made solutions.