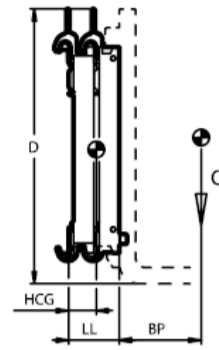
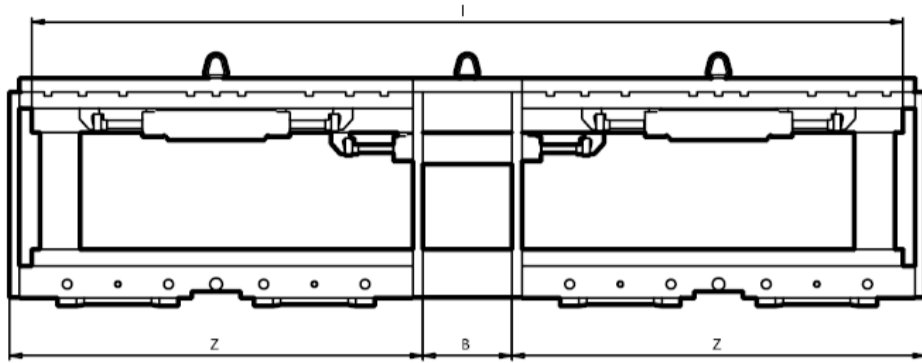


Range: 2500 kg - 5000 kg

Plus:

- When equipped with four forks, this attachment gives the possibility of lifting two spaced pallets, for loading on to vehicle.
- Front sideshift for models SS25FXA and SS35FXB equipped with a central cylinder.
- Front sideshift for models SS25FYA and SS35FYB equipped with an upper cylinder
- Minimized weight and effective thickness.
- Simple assembly.



Model	Capacity	Load Centre	Opening Range	Total Frame Width	Minimum Carriage Width	Height	Weight	Horizontal Centre of Gravity	Effective Thickness	Single Sideshifter Width	Mounting Class
	<i>Q</i> kg	<i>BP</i> mm	<i>B</i> mm	<i>I</i> mm	<i>FL</i> mm	<i>D</i> mm	<i>W</i> Kg	<i>HCG</i> mm	<i>LL</i> mm	<i>Z</i> mm	<i>ISO</i> 2328
SS 25 FNA	2.500	500	20-420	2.000	1.100	543	360	55	120	900	2 - 2
SS 25 FXA	2.500	500	20-420	2.100	1.100	543	380	55	120	980	2 - 2
SS 25 FYA	2.500	500	20-720	2.250	1.250	543	520	58	116	980	2 - 2
SS 35 FXB	3.500	500	20-420	2.100	1.200	678	400	65	146	980	3 - 2
SS 35 FYB	3.500	500	20-720	2250	1.350	678	530	62	123	980	3 - 2
SS 35 FNB	3.500	500	20-420	1.600	1.200	678	275	100	140	800	3 - 2
SS 35 FNNB	3.500	500	20-420	2.280	1.550	678	624	195	150	1.100	3 - 3
SS 35 FXNB	3.500	600	20-420	2.900	2.000	678	636	90	160	1.470	3 - 3
SS 35 FXXB	3.500	500	20-520	2.250	1.200	678	415	85	150	1.100	3 - 2
SS 40 FNB	4.000	500	20-420	1.800	1.550	678	277	25	140	800	3 - 3
SS 40 FXB	4.000	500	20-420	2.100	1.200	678	459	70	145	980	3 - 3
SS 50 FNC	4.900	500	20-420	2.100	1.700	743	773	195	230	980	4 - 4
SS 80 FXC	5.000	600	20-720	2.400	1.700	743	531	78	157	1.200	4 - 3

Notes:

- Two hydraulic functions.
- Delivered without forks. Original lift truck forks can be fitted without any modification.
- Front carriages class ISO 2328 2 A.
- Sideshifters stroke:
 - Rear 175 + 175 mm.
 - Front 175 + 175 mm. for FY models.
100 + 100 mm. for FX, FN models.

Options:

- Independent operation of the two front sideshifters.
- Right or left carriage without sideshift.