

## ***Forklift Battery Lifting Devices***

Electric lift trucks configured for overhead battery extraction require the battery to be lifted vertically out of the battery compartment instead of being removed from the side. In vertical extraction applications, specialized lifting equipment is needed to safely transfer batteries from the lift truck to the Hardwood Battery Stand for charging.

BHS offers a variety of durable Forklift Battery Lifting Devices that efficiently handle industrial batteries in vertical extraction applications. Whether using an overhead bridge crane or lift truck, BHS Battery Lifting Devices offer the perfect solution to provide balance and support while handling lead-acid batteries.



***Seismic Zone 4 Rated***

***Ask about custom battery handling equipment for your unique application.***

Contact BHS at [bhs@bhs1.com](mailto:bhs@bhs1.com) to learn about more fully customized solutions for the battery room.

# Battery Lifting Beam

BHS Battery Lifting Beams are designed for integration with Gantry Crane systems, or can be used in conjunction with a BHS Fork Attachment and Forklift, for completing a safe and efficient solution for vertical-extraction battery handling applications. These Lifting Beams feature non-conductive hardwood construction with adjustable hook positions (fixed hooks are optional). Each lifting beam offers a convenient and efficient way to handle industrial forklift batteries, with a maximum capacity of 6,000 pounds.

Hook options are available for applications in different settings, and adjustable hook positions allow for use with batteries of different lengths. Optional grab handles can provide a better grip when an operator needs additional control.

## FEATURES & BENEFITS

- Non-conductive, hardwood construction
- Multiple hook options available
- Adjustable hook positions for use with multiple battery lengths
- 6,000 lb (2722 kg) capacity

## OPTIONS



### Fixed Position Hook (BLB-FXD-HK)

Sets distance between hooks at a predetermined length, and is preferable when all batteries in fleet are approximately the same length

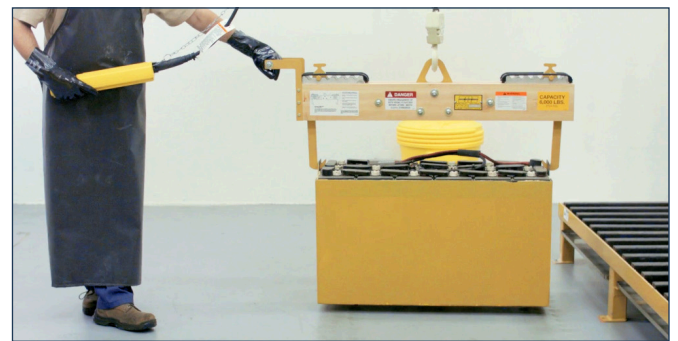


### Grab Handle (BLB-HDL)

Provides an improved grip when additional control is needed, and is for use on one end only (see right)



BLB-6000



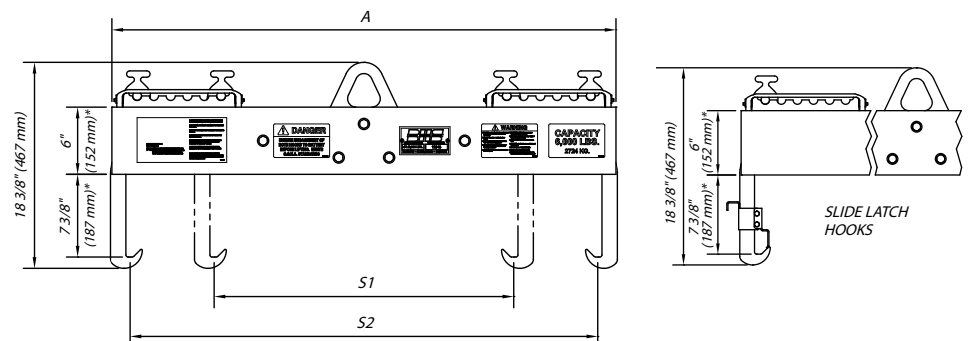
## MODELS & SPECIFICATIONS

MODEL	DESCRIPTION	CLEAR SPAN (S1-S2)	LENGTH (A)	WEIGHT
BLB-6000	Lifting Beam w/ Standard Hooks	27.5"–42.5" / 699 mm–1080 mm	45" / 1143 mm	58 lb / 26 kg
BLB-6000-LHG	Lifting Beam w/ Load Hog Hooks	27.5"–42.5" / 699 mm–1080 mm	45" / 1143 mm	58 lb / 26 kg
BLB-6000-LLH	Lifting Beam w/ Load-Lok Hooks	27.5"–42.5" / 699 mm–1080 mm	45" / 1143 mm	58 lb / 26 kg
BLB-6000-SHG	Lifting Beam w/ Super Hog Hooks	27.5"–42.5" / 699 mm–1080 mm	45" / 1143 mm	60 lb / 27 kg
BLB-6000-SLD	Lifting Beam w/ Slide Latch Hooks	27.5"–42.5" / 699 mm–1080 mm	45" / 1143 mm	60 lb / 27 kg
BLB-6000-48	Lifting Beam-48 (52" OAL) w/ Standard Hooks*	35.5"–50.5" / 902 mm–1283 mm	52" / 1321 mm	110 lb / 50 kg
BLB-6000-48-SLD	Lifting Beam-48 (52" OAL) w/ Slide Latch Hooks*	35.5"–50.5" / 902 mm–1283 mm	52" / 1321 mm	112 lb / 51 kg
BLB-6000-48-LLH	Lifting Beam-48 (52" OAL) w/ Load-Lok Hooks*	35.5"–50.5" / 902 mm–1283 mm	52" / 1321 mm	110 lb / 50 kg

\* Lifting Beam-48 model increases wood height by 2" (51 mm) and decreases hook underbeam clearance by 2" (51 mm)



Hooks: Slide Latch, Load-Lok, Load Hog, Super Hog, Standard



# Battery Lifting Beam-Four Point

Battery Lifting Beams from BHS provide sturdy, durable points of contact between forklift batteries and Gantry Crane systems. BHS Battery Lifting Beams are also suitable for use with the Fork Attachment (see next page). For batteries that have four integrated attachment points, the Battery Lifting Beam-Four Point offers greater stability and control during the change-out process.

This Gantry Crane attachment provides safe and durable control over forklift batteries in vertical-extraction applications. The hardwood core of the beam provides reliable, non-conductive support for batteries that weigh up to 6,000 pounds.

Each pair of attachment hooks hangs from heavy-duty chains that lead to an adjustable steel anchor to accommodate batteries of various sizes. Fleets that use a single uniform battery size can opt for fixed hooks on each end, and the full range of BHS hook configurations is available for every order.

## FEATURES & BENEFITS

- Non-conductive, hardwood construction
- Four hooks for multi-point lifting
- Adjustable hook positions for use with multiple battery lengths
- 6,000 lb (2722 kg) capacity

## OPTIONS

### Fixed Position Hook (BLB-FXD-HK)

Sets distance between hooks at a predetermined length, and is preferable when all batteries in fleet are approximately the same length

### Grab Handle (BLB-HDL)

Provides an improved grip when additional control is needed

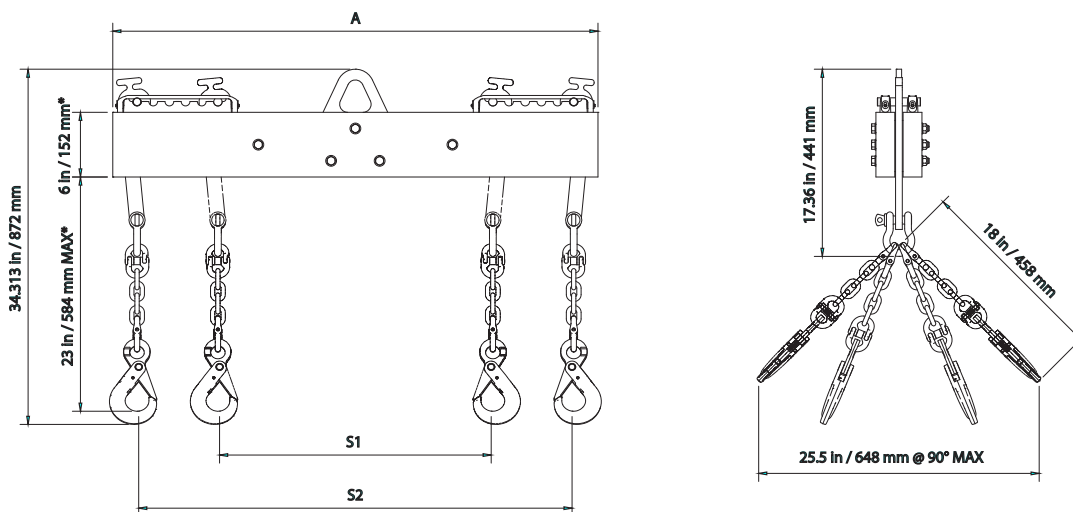


BLB-6000-4PT

## MODELS & SPECIFICATIONS

MODEL	DESCRIPTION	CLEAR SPAN (S1-S2)	LENGTH (A)	EYELET SPAN	WEIGHT
BLB-6000-4PT	Lifting Beam with four points of lift	25.5"–40.5" / 648 mm–1029 mm	45" / 1143 mm	24" / 610 mm max	70 lb / 32 kg
BLB-6000-4PT48	Lifting Beam-48 (52" OAL) with four points of lift*	32.5"–47.5" / 825 mm–1206 mm	52" / 1321 mm	24" / 610 mm max	121 lb / 55 kg

\*Lifting Beam-48 model increases wood height by 2" (51 mm) and decreases hook underbeam clearance by 2" (51 mm)



# Fork Attachment

Fork Attachments (FA) from BHS slide easily and securely onto lift truck forks. These industrial-strength accessories give lift trucks the ability to handle heavy loads with overhead, single-point lift designs. Fork Attachments offer a low-cost, high-value solution that's ideal for maintenance tasks on vertical-extraction forklift battery fleets.

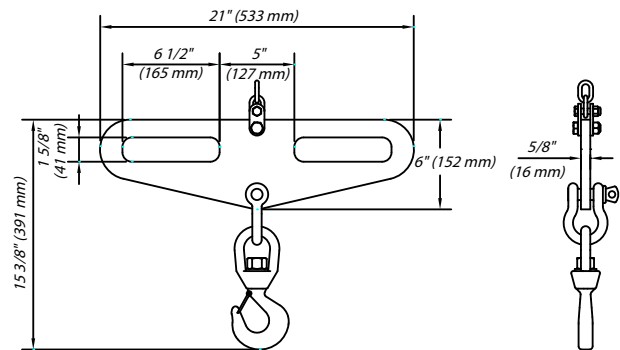
The FA comes in two models to match any battery collection. The FA-2.5 affixes securely to a single lift truck fork, safely handling loads up to 2,500 pounds. The FA-6 is a heavier-duty Fork Attachment, which secures to both lift truck forks simultaneously. It can lift loads up to 6,000 pounds.

Both models are crafted from heavy-duty steel. They're finished with an acid- and impact-resistant powder coating that's ideal for industrial environments. Integrated securing chains lock to the fork carriage, providing another layer of stability to the entire lifting apparatus.

High-capacity battery rooms will need a full Gantry Crane system, complete with a Battery Lifting Beam, to handle the demands of everyday battery change-outs. However, Fork Attachments provide an excellent solution for removing forklift batteries during maintenance or other occasional purposes, when used in conjunction with a BHS Battery Lifting Beam.

## FEATURES & BENEFITS

- Slides easily onto the fork(s) of a lift truck for vertical material handling
- Designed for maintenance applications
- Equipped with a 48" (1219 mm) securing chain to attach around fork carriage
- Includes powerful spring-latch hook
- FA-2.5: 2,500 lb (1134 kg) capacity
- FA-6: 6,000 lb (2722 kg) capacity



Fork Attachment FA-6 in use with BLB-4PT

# BLB Staging Stand

This powder-coated steel structure provides a convenient storage location for both a BHS Battery Lifting Beam and a BHS Fork Attachment when they are not in use. The BLB Staging Stand (CS-BLB) allows battery room operators to store Lifting Beams in a safe and efficient manner, without taking up too much space.

The CS-BLB is available with heavy-duty casters, which allow operators to position the Lifting Beam beneath the Gantry Crane itself for simplified attachment. CS-BLB provides a simple and ergonomic way to outfit Gantry Cranes to handle forklift batteries.

American Society of Mechanical Engineers standards call for operators of lifting devices to “store the lifter before leaving the lifting device.” These standards also mandate the “storage of the lifter to protect it from danger.” The CS-BLB helps to comply with these crucial safety rules, while improving safety and ergonomics in the battery charging area.

Staging Stands position Lifting Beams at around chest-level, providing important ergonomic benefits for staff. They prevent staff from lifting the beam from the ground, which would create a risk for musculoskeletal disorders.

## FEATURES & BENEFITS

- Adds safety to the battery room by providing a convenient place to store the BLB and/or FA-6
- 42" (1067 mm) tall with casters
- Aids in the compliance of ASME regulation B30.20-2003



**NORTH AMERICA:** P.O. Box 28990, St. Louis, MO 63132 USA • 1.800.BHS.9500 • Fax: 314.423.6444 • sales@bhs1.com • BHS1.com  
**INTERNATIONAL:** P.O. Box 12429, St. Louis, MO 63132 USA • +1 314 423 2075 • Fax: +1 314 423 3034 • sales@bhs1global.com  
Specifications are subject to change without notice. ©2002–2019 BHS, Inc. St. Louis, MO. Data Sheet: PL-2900 09/19

