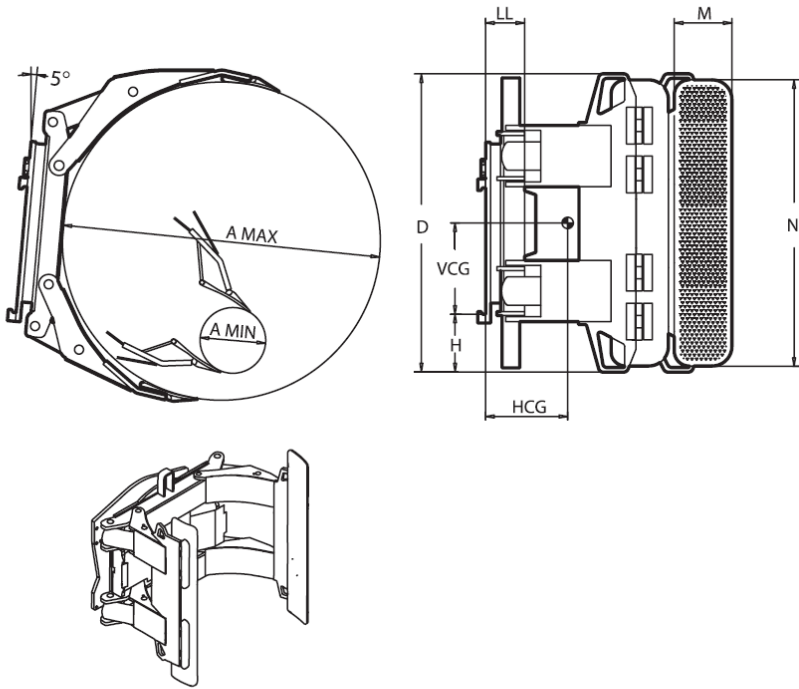


Range: 1500 kg - 6000 kg

Plus:

- Rotating paper roll clamp for vertical and horizontal handling of a single tissue roll.
- Big surface clamp pads prevent roll damage.
- Pivoting arm movement. Short and long arms.
- 180-degree rotation, with hydraulic cushioning in the vertical positions eliminates the risk of edge damage.



Model	Capacity		Roll Range	Height	Weight	Horizontal Centre of Gravity	Vertical Centre of Gravity	Effective Thickness	Contact Pads	Contact Pad Gap	Mounting Height	Mounting Class
	Q kg	BP mm										
AR-22RT-16	1.750	800	350-1.600	1.240	790	435	360	180	280 x 1.200	-	265	2 / 3 A
AR-22RT-17	1.600	850	400-1.700	1.240	810	450	360	180	280 x 1.200	-	265	2 / 3 A
AR-22RT-18	1.500	915	400-1.830	1.240	830	475	360	180	280 x 1.200	-	265	2 / 3 A
AR-30RT-18	2.500	915	400-1.830	1.240	910	385	360	200	280 x 1.200	-	265	3 A
AR-30RT-19	2.400	950	400-1.900	1.240	930	400	360	200	280 x 1.200	-	265	3 A
AR-30RT-20	2.250	1.015	400-2.030	1.240	945	415	360	200	280 x 1.200	-	265	3 A
AR-30RT-21	2.100	1.065	450-2.130	1.240	960	425	360	200	280 x 1.200	-	265	3 A
AR-37RT-18	2.800	915	450-1.830	1.440	1.220	510	435	190	400 x 1.400	-	285	3 / 4 A
AR-37RT-19	2.650	950	500-1.900	1.440	1.240	520	435	190	400 x 1.400	-	285	3 / 4 A
AR-37RT-20	2.500	1.015	500-2.030	1.440	1.270	540	435	190	400 x 1.400	-	285	3 / 4 A
AR-37RT-21	2.400	1.050	600-2.130	1.440	1.300	560	435	190	400 x 1.400	-	285	3 / 4 A
AR-40RT-20	2.900	1.015	500-2.030	1.640	1.480	520	435	210	400 x 1.600	-	385	3 / 4 A
AR-40RT-21	2.750	1.065	600-2.130	1.640	1.520	540	435	210	400 x 1.600	-	385	3 / 4 A
AR-40RT-22	2.650	1.100	650-2.200	1.640	1.560	570	435	210	400 x 1.600	-	385	3 / 4 A
AR-40RT-23	2.500	1.150	800-2.300	1.640	1.600	590	435	210	400 x 1.600	-	385	3 / 4 A
AR-45RT-22	3.050	1.100	850-2.200	1.860	1.670	570	395	212	400 x 1.800	-	525	4 A
AR-45RT-23	2.900	1.150	850-2.300	1.860	1.690	590	395	212	400 x 1.800	-	525	4 A
AR-45RT-24	2.750	1.200	850-2.400	1.860	1.720	610	395	212	400 x 1.800	-	525	4 A
AR-45RT-25	2.600	1.270	850-2.540	1.860	1.750	630	395	212	400 x 1.800	-	525	4 A
AR-53RT-23	3.250	1.150	850-2.300	1.840	1.870	570	520	240	400 x 1.800	-	400	4 A
AR-53RT-24	3.100	1.200	850-2.400	1.840	1.900	590	520	240	400 x 1.800	-	400	4 A
AR-53RT-25	2.950	1.270	850-2.540	1.840	1.930	610	520	240	400 x 1.800	-	400	4 A
AR-60RT-23	3.850	1.150	850-2.300	1.840	2.010	580	520	245	400 x 1.800	-	400	4 A
AR-60RT-24	3.700	1.200	850-2.400	1.840	2.040	600	520	245	400 x 1.800	-	400	4 A
AR-60RT-25	3.550	1.270	850-2.540	1.840	2.070	620	520	245	400 x 1.800	-	400	4 A
RA-400-NLT	4.000	1.300	850-2.600	1.440	2.240	500	530	260	400 x 1.800	-	x	4 A / 5 A
RA-500-NLT	5.000	1.250	650-2.500	1.440	2.220	480	530	260	400 x 1.800	-	x	4 A / 5 A
RA-600-NLT	6.000	1.350	1.500-2.700	1.840	3.400	800	660	290	700 x 1.800	-	x	x

Notes:

- Two hydraulic functions required.
- Consult Bolzoni for hydraulic pressure and flow rate recommendations. Standard contact pads: rubber faced, unsplit pads.
- For bilge handling, 5-degree forward tilt on upright is required.

Options:

- Special roll ranges.
- Special arms for 0-degree tilt.
- Contact pad options:
- plain pad surface.