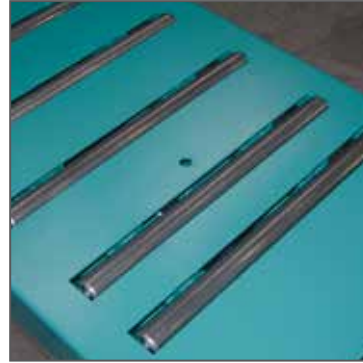
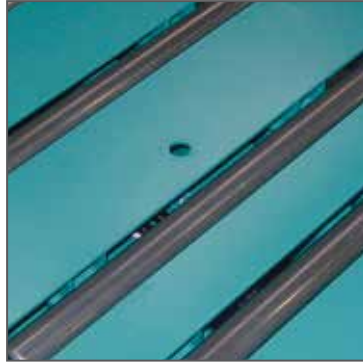


Lift Table with integrated conveyor

Model A1-EAAM

Wood working industry



The lift table with integrated conveyor is mainly used in the wood working industry, to handle furniture, doors and paneling, in particular on the pressing lines.

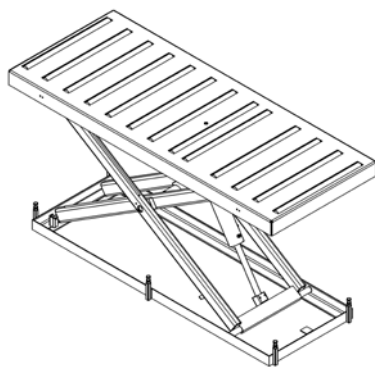
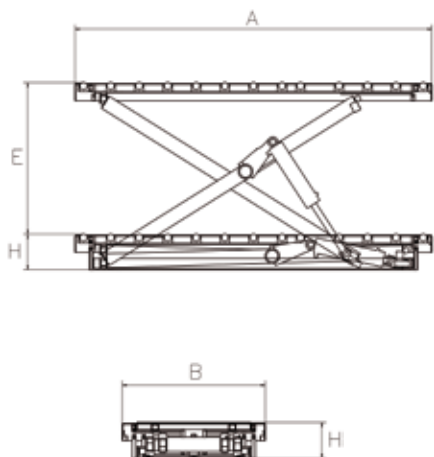
The Bolzoni Auramo lift tables range is studied to improve the ergonomic working conditions and to increase safety. The integrated conveyor is often combined with automatic wood working machines, such as in the slat and parquet processing, the rotary-cut veneers and the plywood industry.

The lift table is provided with a double deck system:

- when the table is up, the rollers are locked, below the top level;
- when the table is in the lower position, the rollers are lifted from the platform surface and are free to move the load.

The extremely reduced overall closed height of 250 mm allows the installation of the table in all the production processes.

BOLZONI



Range: 1000 Kg

- The integrated conveyor system allows the free use of the platform, when the lift table is in the upper position, while it allows the load to roll, when the lift table is in the bottom position.
- Rollers system.
- Overall closed height 250 mm.
- 20 cycles per hour, one shift a day.

The lift table with integrated conveyor is mainly used in the wood working industry, to handle furniture, doors and paneling, in particular on the pressing lines. The integrated conveyor is often combined with automatic wood working machines.

| Model | Capacity | Stroke | Platform | Collapsed Height | Motor | Cylinder diameter | Rollers | |
|---------------|----------|---------|-------------|------------------|-------|-------------------|-------------|--------------|
| | Q kg | E mm | (AxB) mm | (H) mm | Kw | n. | diam. mm | length mm |
| A1.10.EAAM 01 | 1000 | 1000 | 2500x750 | 250 | 1,1 | 1 | 90 | 600 |
| A1.10.EAAM 02 | 1000 | 1000 | 2700x1000 | 250 | 1,1 | 1 | 90 | 800 |

CE Bolzoni Auramo Lift Tables are CE marked and comply with Machinery Directive (2006/42/CE) and Safety requirements for lift tables EN 1570-1.

Standard version includes:

- Aluminium safety bar, stopping descent of the platform on contact with obstructions.
- Safety clearance between scissors to prevent trapping during operation.
- Single acting hydraulic cylinders with drainage.
- Safety check valve to stop the lift table lowering in the unlikely event of a hose break.
- Self lubricating bearings on pivot points.
- Hydraulic power pack inside the table provided with relief valve against overloading and compensated flow valve for controlled lowering speed.
- Protection against overloading.
- Upper travel limit switch.
- Low voltage control box (24V) hold-to-run type (up/down/ emergency stop buttons) on 4 m. cable. Automatic reset system in case the safety perimeter bar is actuated.
- Electrical equipment controlled by electronic system, with low voltage transformer and thermal overload protection.
- Maintenance props (for safe maintenance operation).
- Supply voltage 380/420V 50 Hz 3phase.
- Removable lifting eyes to facilitate handling and lift table installation.
- Colour RAL 5018.

Bolzoni promotes environmental sustainable research and innovation.

For a lower impact on the environment, Bolzoni lift tables are available with biodegradable hydraulic oil on request, and are all provided with high-efficiency electric motors IE3. Lift tables are painted with water based nontoxic solvent free paint.

Bolzoni SpA lift tables facility is certified with the Environment Certificate ISO 14001:2015, since 2006.

BOLZONI S.p.A.

VIA I MAGGIO,103 - CASONI DI PODENZANO -
29027 PIACENZA (ITALIA)

Tel. +39 0523 55 55 11 - Fax +39 0523 52 40 87

www.bolzonigroup.com - sales@bolzonigroup.com

BOLZONI