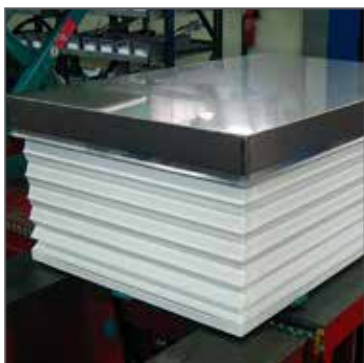


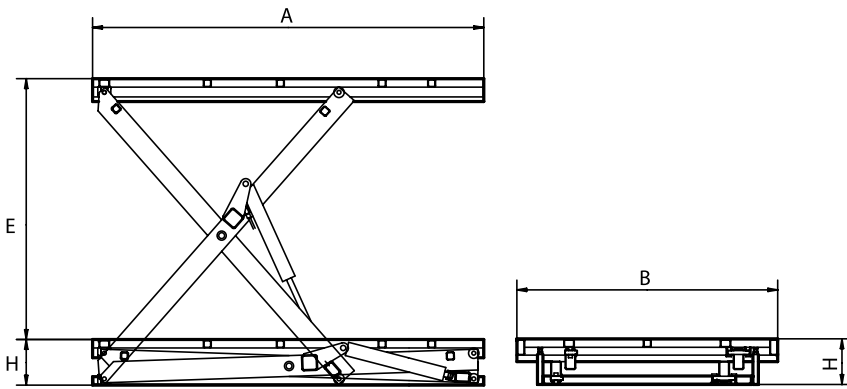
Single scissor lift tables for partially concentrated loads

Model 1A

Heavy duty Lift tables improve factory and warehouse efficiency



BOLZONI 



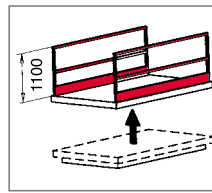
Range: 1000 Kg - 7000 Kg

- Aluminium safety bar stops the descent of the platform in case of contact with obstructions
- Single acting hydraulic cylinders equipped with hose safety valve, check valve and drainage.
- Low voltage "Hold-to-run" type control box
- Mechanical block bars for safe servicing and maintenance operations
- Removable lifting eye(s) to make easier handling and installation
- Compliance with the Machinery Directive 2006/42CE and Safety Requirements for lift tables EN1570-1.

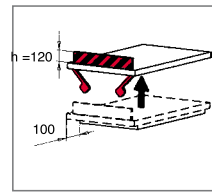
Designed for industrial heavy duty applications in material flow and manufacturing system as integral part of a production line (feeding of machineries, stacking, cutting, packaging operations).

CUSTOMIZED SOLUTIONS

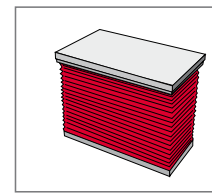
Thanks to our experience and a wide range of accessories available, we are able to provide customized solutions to improve productivity, efficiency and safety to suit all specific requirements.



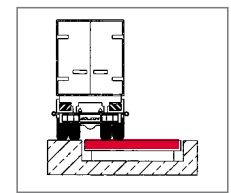
Safety handrails



Roll-off stop



PVC bellow



Top reinforcement for transit of truck

Model	Capacity	Stroke	Platform	Collapsed Height	Motor	Cylinder
	kg	mm	A x B mm	H mm	Kw	n. diam.
A1.10.A010	1000	800	1400 x 800	300	1,1	1 90
A1.10.A020	1000	800	1400 x 1000	300	1,1	1 90
A1.10.A110	1000	800	1400 x 1400	300	1,5	2 70
A1.10.A030	1000	1100	1700 x 1000	300	1,1	1 90
A1.10.A040	1000	1100	1700 x 1200	300	1,1	1 90
A1.10.A130	1000	1100	1700 x 1400	300	1,5	2 70
A1.10.A050	1000	1300	2000 x 1000	320	1,1	1 90
A1.10.A060	1000	1300	2000 x 1200	320	1,1	1 90
A1.10.A150	1000	1300	2000 x 1400	320	1,5	2 70
A1.10.A370	1000	1600	2500 x 1200	350	1,5	1 90
A1.10.A380	1000	1600	2500 x 1500	350	3,0	2 90
A1.10.A390	1000	2000	3000 x 1200	350	3,0	2 90
A1.10.A400	1000	2000	3000 x 1500	350	3,0	2 90
A1.10.A410	1000	2000	3000 x 2000	350	3,0	2 90
A1.20.A010	2000	800	1400 x 800	300	1,5	1 110
A1.20.A020	2000	800	1400 x 1000	300	1,5	1 110
A1.20.A110	2000	800	1400 x 1400	300	1,5	2 90
A1.20.A030	2000	1100	1700 x 1000	300	1,5	1 110
A1.20.A040	2000	1100	1700 x 1200	300	1,5	1 110
A1.20.A130	2000	1100	1700 x 1400	300	3,0	2 90
A1.20.A050	2000	1300	2000 x 1000	320	1,5	1 110
A1.20.A060	2000	1300	2000 x 1200	320	1,5	1 110
A1.20.A150	2000	1300	2000 x 1400	320	3,0	2 90
A1.20.A370	2000	1600	2500 x 1200	350	3,0	2 90
A1.20.A380	2000	1600	2500 x 1500	350	3,0	2 90
A1.20.A390	2000	2000	3000 x 1200	350	3,0	2 90
A1.20.A400	2000	2000	3000 x 1500	350	3,0	2 90
A1.20.A410	2000	2000	3000 x 2000	350	3,0	2 90
A1.20.A420	2000	2000	3500 x 1500	350	3,0	2 90
A1.20.A430	2000	2000	3500 x 2000	350	3,0	2 90
A1.30.A010	3000	850	1500 x 1000	350	2,2	2 90

Model	Capacity	Stroke	Platform	Collapsed Height	Motor	Cylinder
	kg	mm	A x B mm	H mm	Kw	n. diam.
A1.30.A020	3000	850	1500 x 1200	350	2,2	2 90
A1.30.A030	3000	1200	2000 x 1000	350	3,0	2 90
A1.30.A040	3000	1200	2000 x 1200	350	3,0	2 90
A1.30.A330	3000	1600	2500 x 1200	380	3,0	2 90
A1.30.A340	3000	1600	2500 x 1500	380	3,0	2 90
A1.30.A350	3000	2000	3000 x 1500	380	4,0	2 110
A1.30.A360	3000	2000	3000 x 2000	380	4,0	2 110
A1.30.A370	3000	2000	3500 x 1500	400	4,0	2 110
A1.30.A380	3000	2000	3500 x 2000	400	4,0	2 110
A1.50.A210	5000	1600	2500 x 1500	450	4,0	2 110
A1.50.A220	5000	1600	2500 x 2000	450	4,0	2 110
A1.50.A250	5000	1800	3000 x 1500	500	4,0	2 110
A1.50.A260	5000	1800	3000 x 2000	500	4,0	2 110
A1.50.A270	5000	1800	3500 x 2000	500	4,0	2 110
A1.50.A280	5000	1800	3500 x 2400	500	4,0	2 110
A1.50.A290	5000	2000	3500 x 2000	550	4,0	2 110
A1.50.A300	5000	2000	3500 x 2400	550	4,0	2 110
A1.50.A310	5000	2000	4000 x 2400	550	4,0	2 110
A1.70.A110	7000	1500	2500 x 1500	550	4,0	2 120
A1.70.A120	7000	1500	2500 x 2000	550	4,0	2 120
A1.70.A150	7000	1800	3000 x 1500	600	4,0	2 120
A1.70.A160	7000	1800	3000 x 2000	600	4,0	2 120
A1.70.A170	7000	1800	3500 x 2000	600	4,0	2 120
A1.70.A180	7000	2000	3500 x 2000	600	4,0	2 120
A1.70.A190	7000	2000	3500 x 2400	600	4,0	2 120
A1.70.A200	7000	2000	4000 x 2400	600	4,0	2 120

Bolzoni promotes environmental sustainable research and innovation.

For a lower impact on the environment, Bolzoni lift tables are available with biodegradable hydraulic oil on request, and are all provided with high-efficiency electric motors IE3. Lift tables are painted with water based nontoxic solvent free paint.

Bolzoni SpA lift tables facility is certified with the Environment Certificate ISO 14001:2015, since 2006.

BOLZONI S.p.A.

VIA I MAGGIO, 103 - CASONI DI PODENZANO -
29027 PIACENZA (ITALIA)

Tel. +39 0523 55 55 11 - Fax +39 0523 52 40 87

www.bolzonigroup.com - sales@bolzonigroup.com