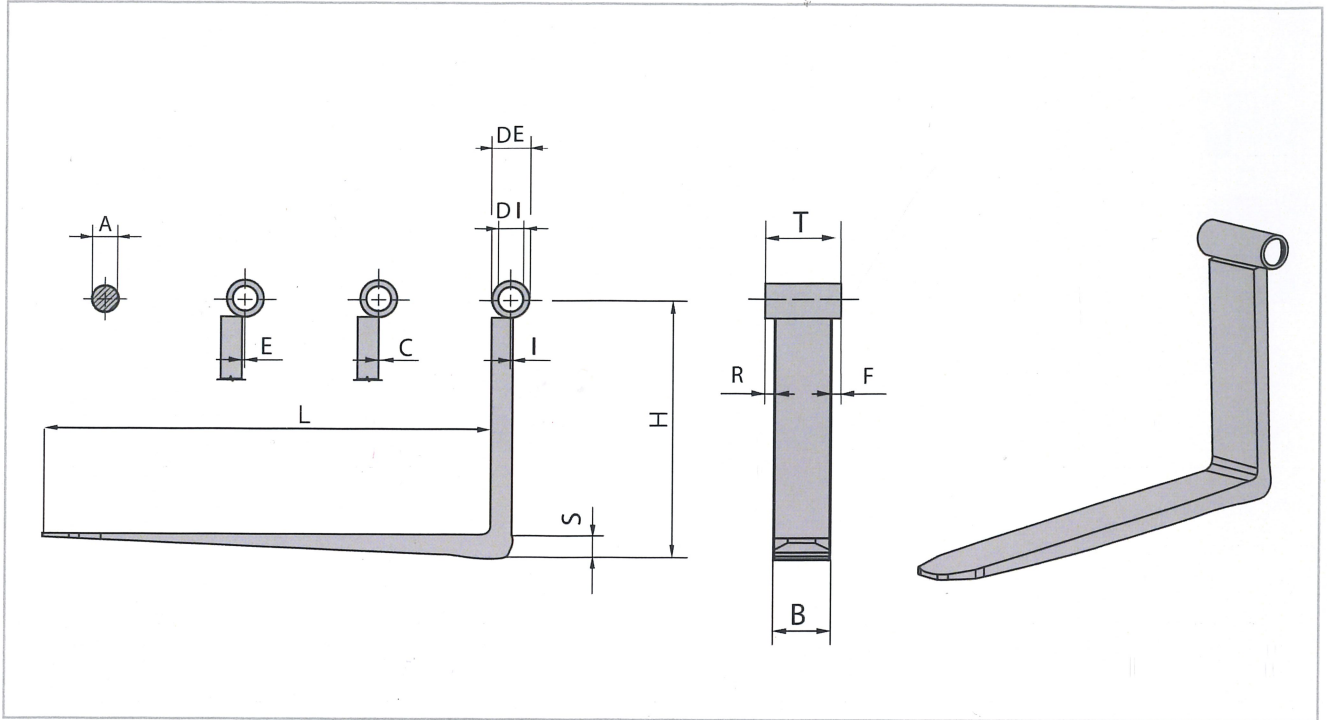


Lumber forks are suitable for handling in lumber industry thanks to wide and thin horizontal blade.

04



Customer reference
Company:
Address:
Phone-office:
Fax:
Mobile:
E-mail address:
Contact:
Other info:

Technical Data	
Length (L)	mm
Width (B)	mm
Thickness (S)	mm
Back height (H)	mm
Tube width (T)	mm
Tube int. diameter (DI)	mm
Tube ext. diameter (DE)	mm
Bar pin diameter (A)	mm
Tube inset (I)	mm
Tube offset (E)	mm
Tube inline (C)	mm
Tube position right (R)	mm
Tube position left (F)	mm